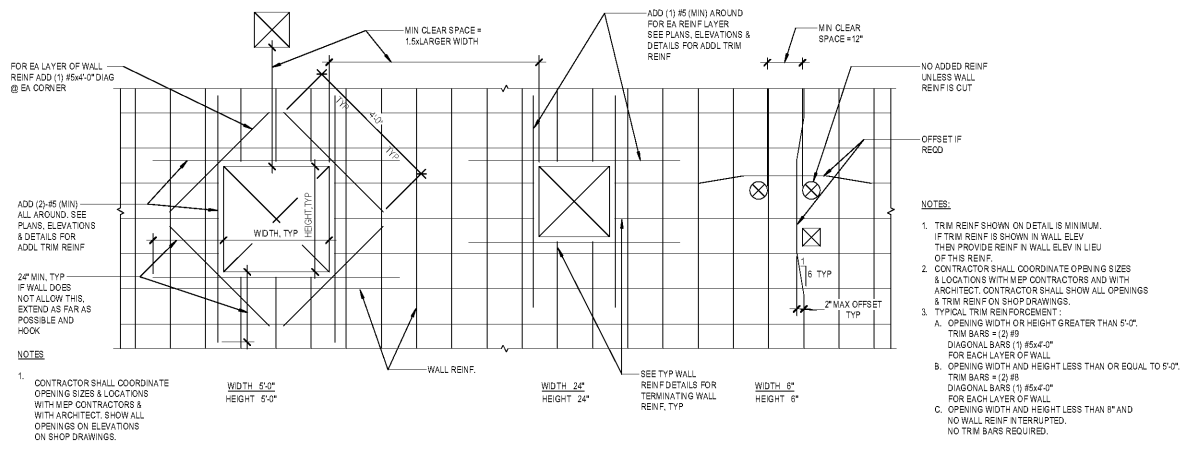
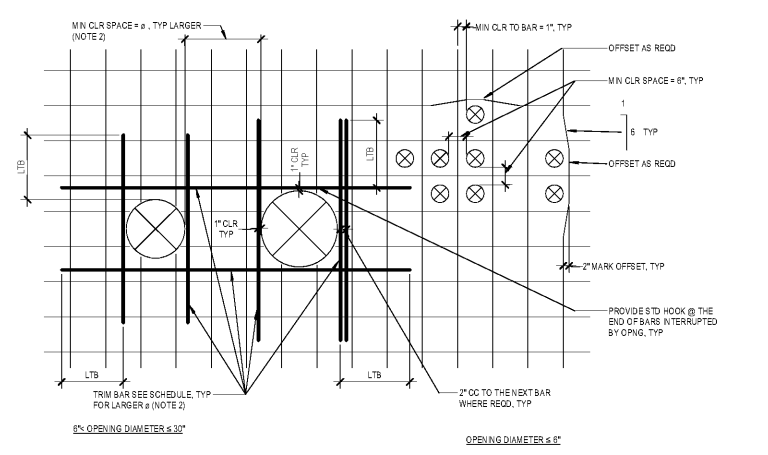


**NOT FOR
CONSTRUCTION**

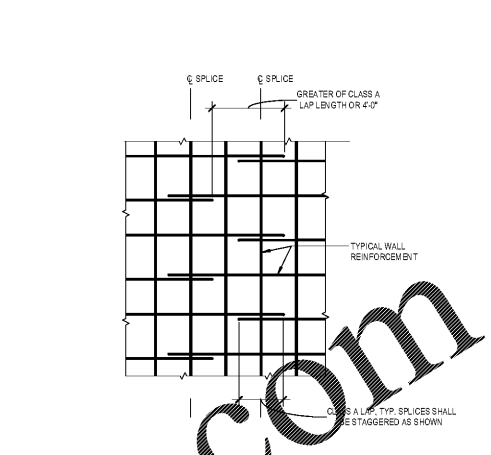
No.	Description	Date
1	ED: GMP	2019.07.03



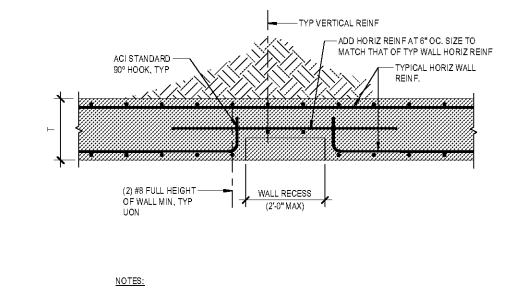
8 TYPICAL REINFORCING DETAILS AT CONCRETE WALL OPENING
1/2" = 1'-0"



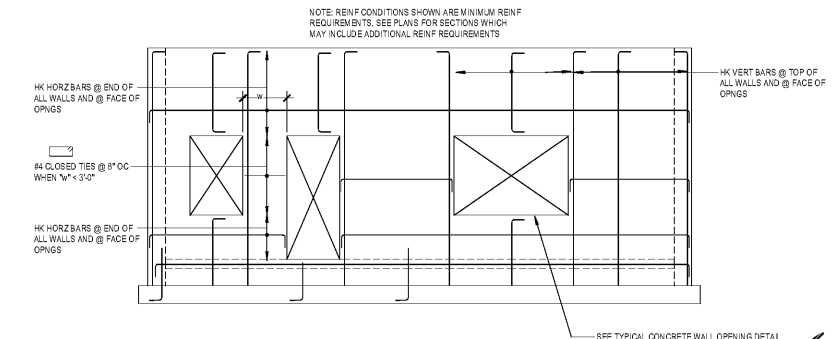
7 REINFORCEMENT AROUND PIPE PENETRATION AT EXTERIOR CONCRETE WALL
1/2" = 1'-0"



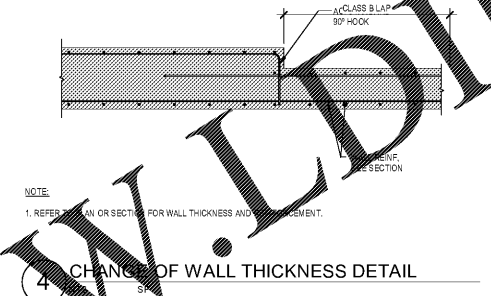
6 LAYOUT OF WALL REINFORCEMENT DETAIL
1" = 1'-0"



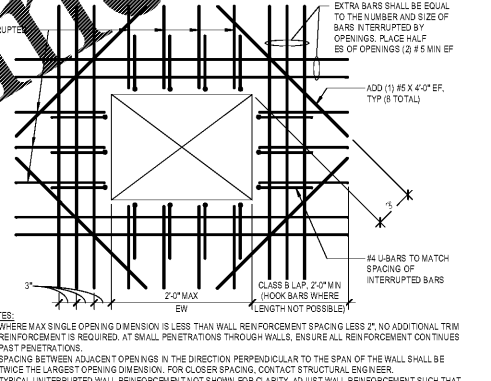
13 WALL RECESS DETAIL
NTS



9 TYPICAL CONCRETE WALL ELEVATION
1/4" = 1'-0"

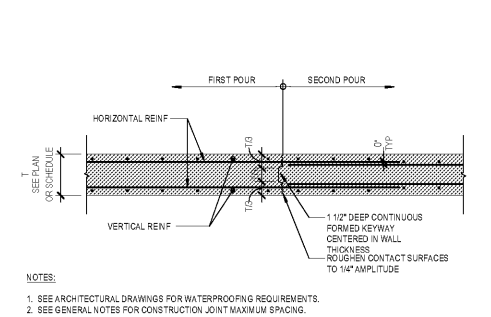


4 CHANGE OF WALL THICKNESS DETAIL
NTS

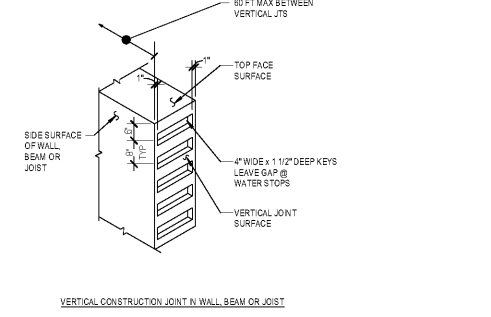


5 WALL REINFORCEMENT AT OPENINGS DETAIL
1" = 1'-0"

10 SHEAR WALL BOUNDARY ELEMENT
1/2" = 1'-0"



2 WALL VERTICAL CONSTRUCTION JOINT DETAIL
NTS



3 TYPICAL VERTICAL CONSTRUCTION JOINT IN WALL, BEAM OR JOIST
NTS



1 REINFORCEMENT AT WALL DISCONTINUITIES DETAIL
NTS

Order Plans @ WWW.LDILLING.COM