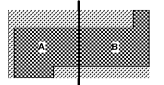




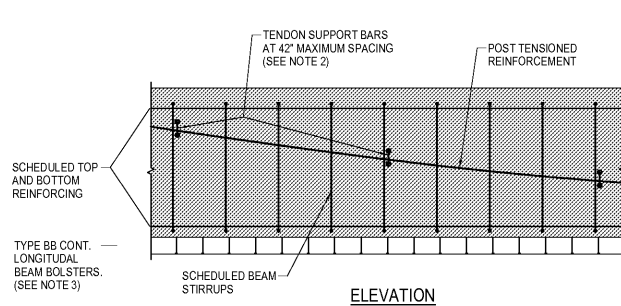
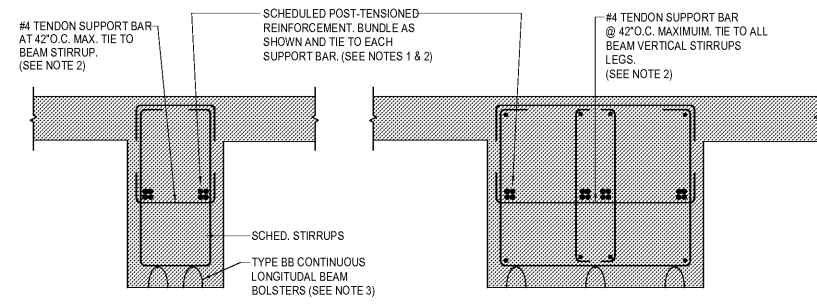
Key Plan



Professional Seal

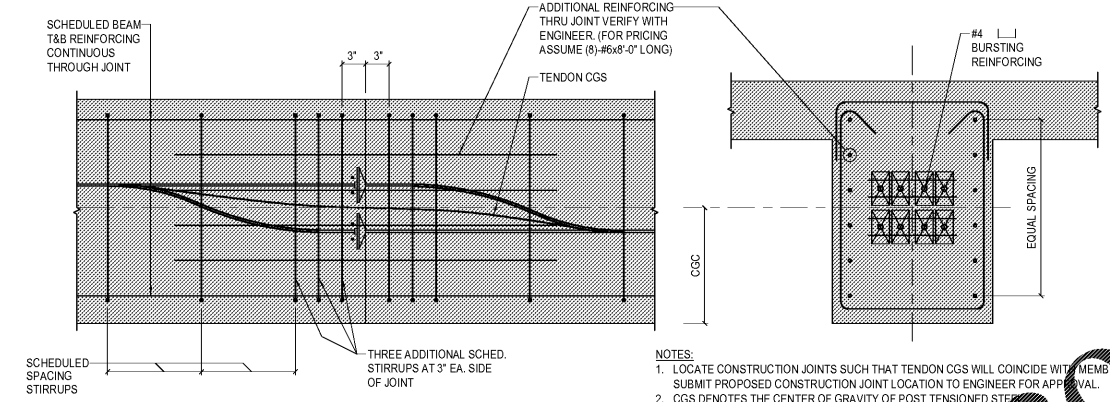
**NOT FOR
CONSTRUCTION**

No.	Description	Date
1	ED - GMP	2019.07.01

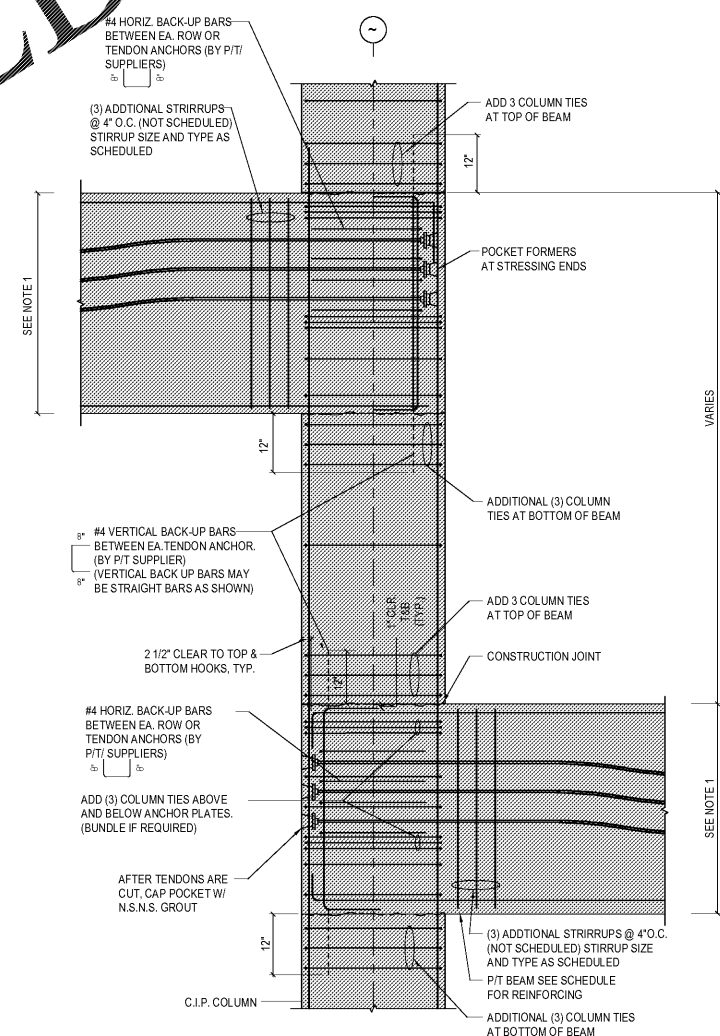
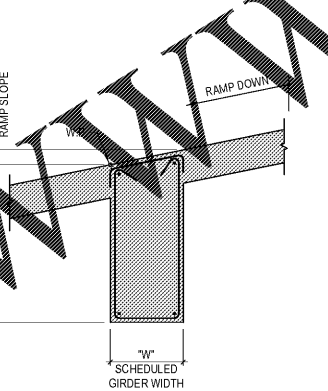
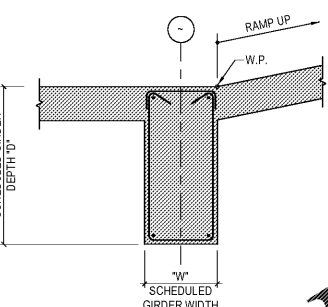


- NOTES:**
1. BEAM OR GIRDER POST-TENSIONED REINFORCEMENT SHALL BE BUNDLED AS SHOWN ON DETAIL. MAXIMUM NUMBER OF TENDONS IN ONE BUNDLE SHALL BE LIMITED TO FOUR. SIDE BY SIDE BUNDLING OF TENDONS IS NOT PERMITTED.
 2. EACH TENDON BUCKLE SHALL BE SECURELY TIED TO EA. SUPPORT BAR. LOCATION OF SUPPORT BARS SHALL BE ADJUSTED TO COINCIDE WITH LOCATION OF BEAM OR GIRDER SCHEDULE.
 3. PROVIDE TYPE BB LONGITUDINAL BEAM BOLSTERS FOR SUPPORT OF BEAM OR GIRDER REINFORCING CAGE. THE MIN. NUMBER OF CONTINUOUS BEAM BOLSTERS SHALL BE AS FOLLOWS:
 - a. $W \leq 24"$ TWO
 - b. $24" < W \leq 36"$ THREE
 - c. $36" < W \leq 48"$ FOUR
 - d. $48" < W \leq 60"$ FIVE
 WHERE W = BEAM OR GIRDER WIDTH CONT. BOLSTERS SHALL BE EQUALLY SPACED ACROSS THE BEAM.

3 POST TENSIONED BEAM OR GIRDER TENDON SUPPORT

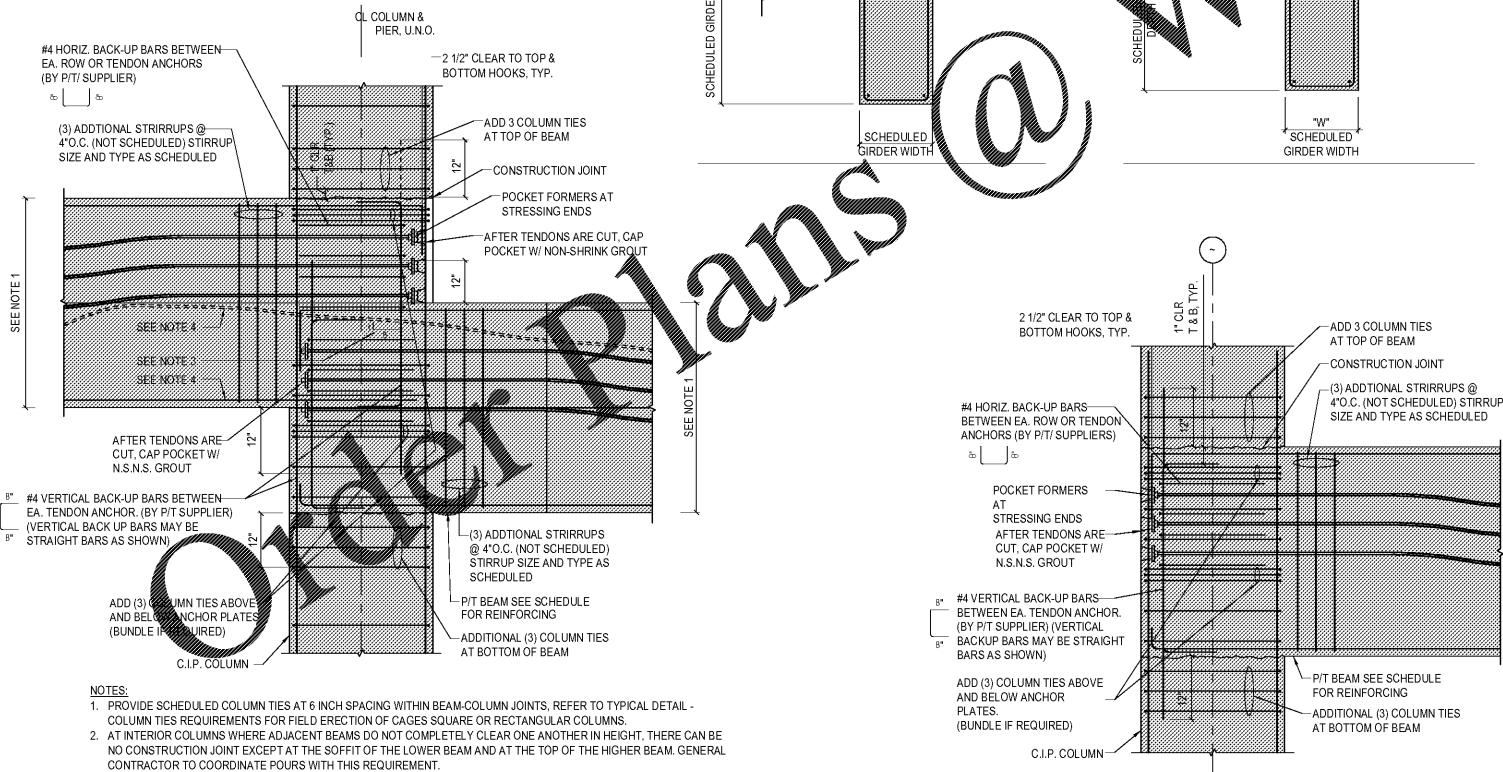


2 POST-TENSIONED CONSTRUCTION JOINT BEAM OR GIRDER



- NOTES:**
1. PROVIDE SCHEDULED COLUMN TIES AT 6 INCH SPACING WITHIN BEAM-COLUMN JOINTS. REFER TO TYPICAL DETAIL - COLUMN TIES REQUIREMENTS FOR FIELD ERECTION OF CAGES SQUARE OR RECTANGULAR COLUMNS.
 2. WHEN VARIABLE DIMENSION IS LESS THAN BEAM DEPTH, SEE TYPICAL DETAIL CAST-IN-PLACE POST TENSIONED CONCRETE BEAM/COLUMN JOINT AT INTERIOR RAMP CONDITION - STAGGER - BEAM DEPTH

10 CAST IN PLACE POST TENSIONED CONCRETE BEAM/COLUMN JOINT AT INTERIOR RAMP COND. STAGGER LESS THAN BEAM DEPTH



- NOTE:**
- PROVIDE SCHEDULED COLUMN TIES AT 6 INCH SPACING WITHIN BEAM-COLUMN JOINTS. REFER TO TYPICAL DETAIL - COLUMN TIES REQUIREMENTS FOR FIELD ERECTION OF CAGES SQUARE OR RECTANGULAR COLUMNS.

8 CAST-IN-PLACE POST-TENSIONED CONCRETE BEAM/COLUMN JOINT AT EXTERIOR OF STRUCTURE

1 CAST IN PLACE POST TENSIONED CONCRETE BEAM/COLUMN JOINT AT INTERIOR RAMP COND. STAGGER LESS THAN BEAM DEPTH