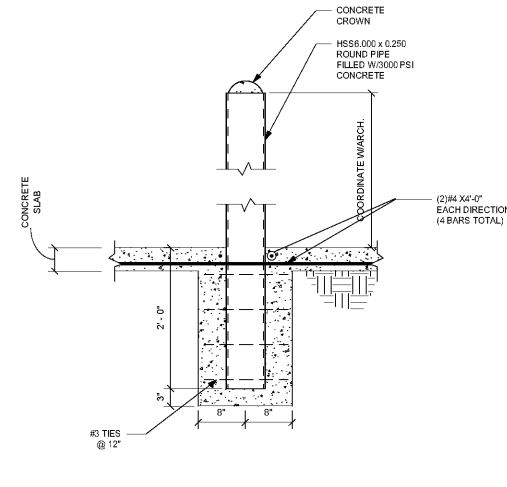
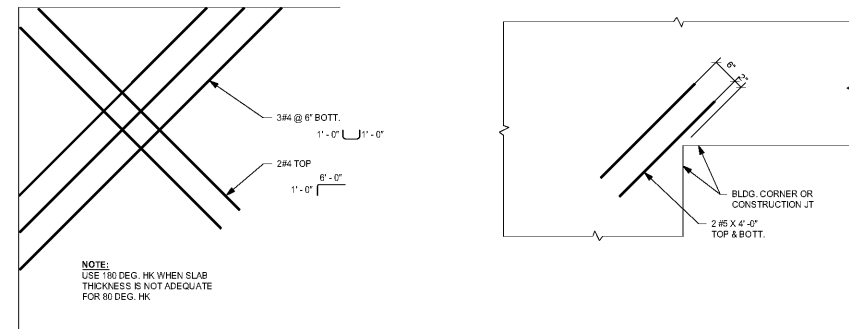


**NOT FOR
 CONSTRUCTION**

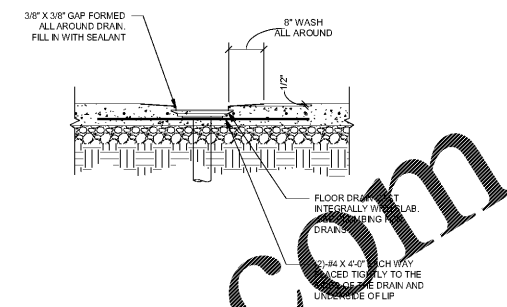
No.	Description	Date
1.	ED - GMP	2019.07.03



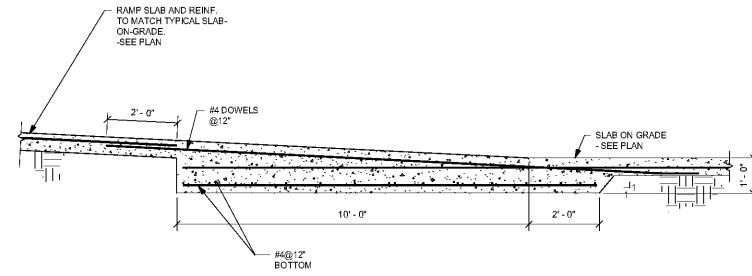
1 TYPICAL DETAIL AT BOLLARD ON-GRADE
 1" = 1'-0"



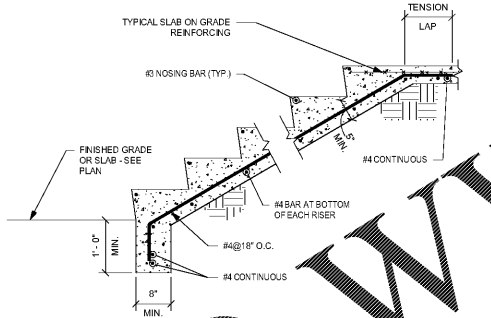
2 TYPICAL REINFORCING AT RE-ENTRANT CORNERS
 3/4" = 1'-0"



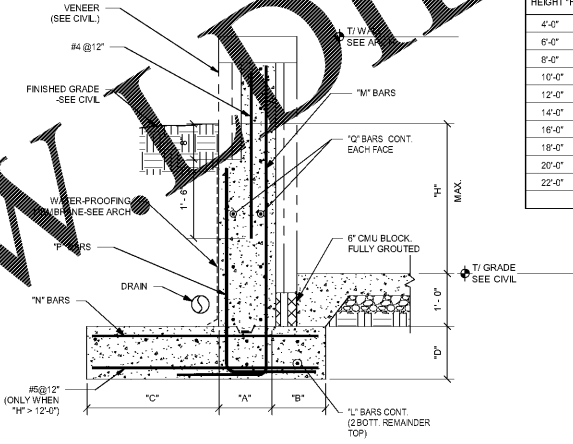
3 TYPICAL DETAIL AT SLAB-ON-GRADE DRAIN
 3/4" = 1'-0"



4 SECTION AT RAMP START
 1/2" = 1'-0"

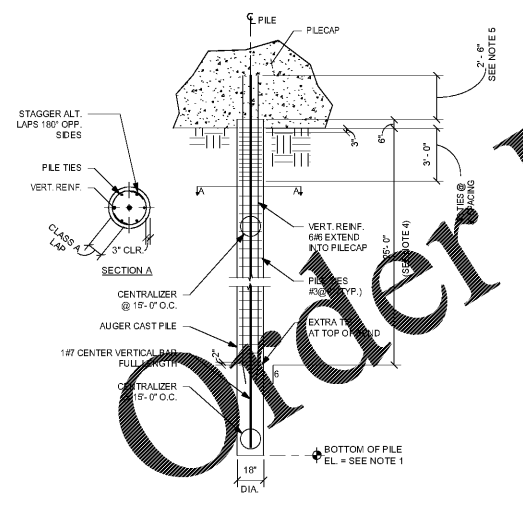


5 TYPICAL CONCRETE STAIR ON GRADE
 3/4" = 1'-0"

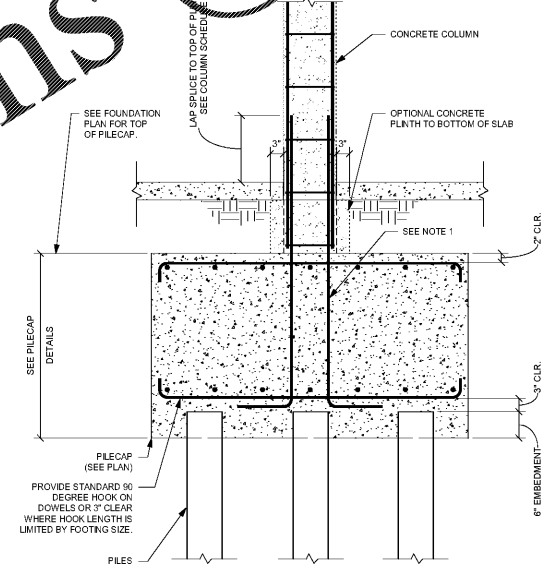


6 TYPICAL CONCRETE SITE RETAINING WALL DETAIL
 3/4" = 1'-0"

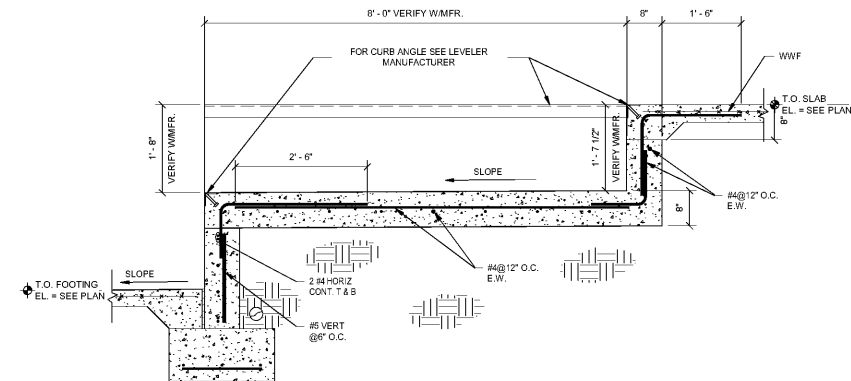
RETAINED HEIGHT 'H'	DIMENSIONS				REINFORCEMENT						COMMENTS
	'A'	'B'	'C'	'D'	'L'	'M'	'N'	'P'	'Q'		
4'-0"	1'-0"	1'-0"	1'-0"	1'-0"	6#4	#4@18"	#4@12"	#4@12"	#4@18"		
5'-0"	1'-0"	1'-0"	2'-0"	1'-0"	6#5	#4@18"	#4@12"	#4@12"	#4@18"		
6'-0"	1'-0"	1'-0"	4'-3"	1'-0"	6#5	#4@18"	#5@12"	#5@12"	#4@18"		
10'-0"	1'-0"	1'-0"	5'-0"	1'-3"	10#5	#4@18"	#5@12"	#5@12"	#4@18"		
12'-0"	1'-0"	1'-0"	7'-4"	1'-3"	10#6	#4@18"	#7@12"	#7@12"	#4@18"		
14'-0"	1'-0"	2'-0"	8'-3"	1'-3"	12#6	#4@18"	#8@12"	#8@12"	#4@18"		
16'-0"	1'-0"	2'-0"	9'-3"	1'-6"	12#7	#4@18"	#8@12"	#8@12"	#4@18"		
18'-0"	1'-0"	2'-0"	10'-3"	1'-6"	14#7	#5@12"	#9@12"	#9@12"	#5@12"		
20'-0"	2'-0"	2'-0"	11'-6"	2'-0"	15#7	#5@12"	#10@12"	#10@12"	#5@12"		
22'-0"	2'-3"	2'-0"	13'-0"	2'-3"	15#8	#5@12"	#10@9"	#10@9"	#5@12"		



7 TYPICAL 18" DIAMETER PILE
 1/4" = 1'-0"



8 TYPICAL CONCRETE COLUMN AT PILE CAP
 3/4" = 1'-0"



9 DOCK LEVELING DETAIL
 3/4" = 1'-0"