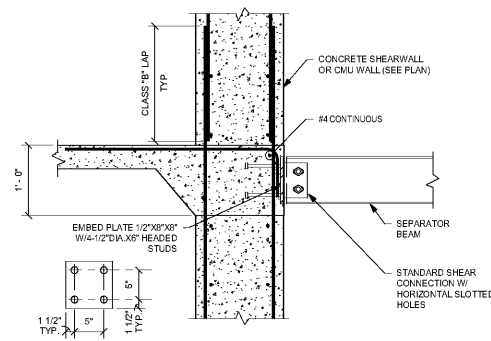
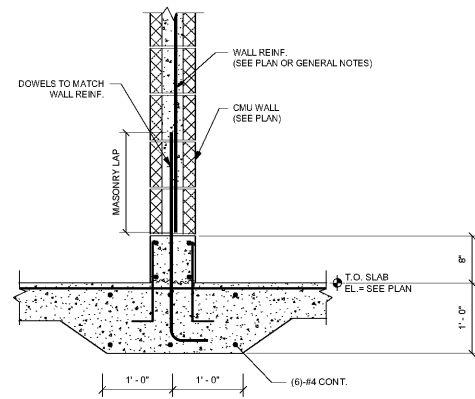


**NOT FOR
 CONSTRUCTION**

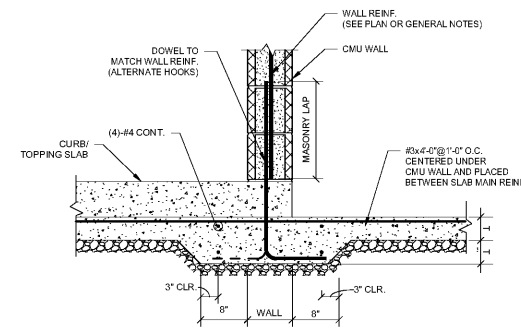
No.	Description	Date
1	DD - GMP	2019.07.03



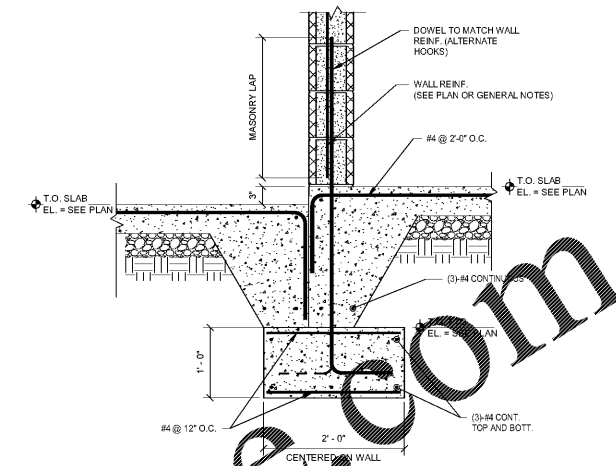
1 TYPICAL ELEVATOR SEPARATOR BEAM
 CONNECTION
 1" = 1'-0"



2 CONCRETE CURB AT CMU WALL
 1" = 1'-0"

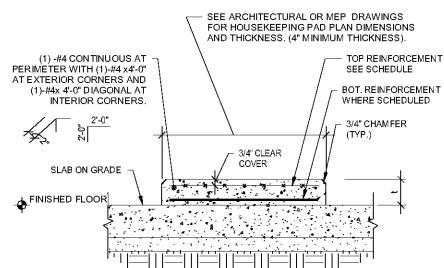


3 INTERIOR SLAB ON GRADE AT CMU WALL
 1" = 1'-0"



4 TYPICAL CMU WALL FOUNDATION DETAIL
 1" = 1'-0"

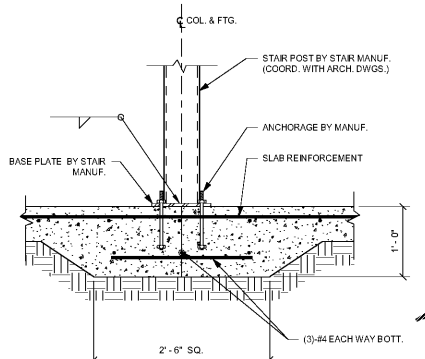
1 TYPICAL ELEVATOR SEPARATOR BEAM
 CONNECTION
 1" = 1'-0"



PAD THICKNESS	TOP REINFORCEMENT	BOTT. REINF.
4" < l <= 6"	6" x 6", W2.9 x W2.9	NONE
4" < l <= 6"	4" x 4", W4.0 x W4.0	NONE
6" < l <= 8"	4" x 4", W5.5 x W5.5	NONE
8" < l <= 12"	#4 @ 12" EW	#3 @ 18" EW
12" < l <= 18"	#4 @ 12" EW	#4 @ 12" EW

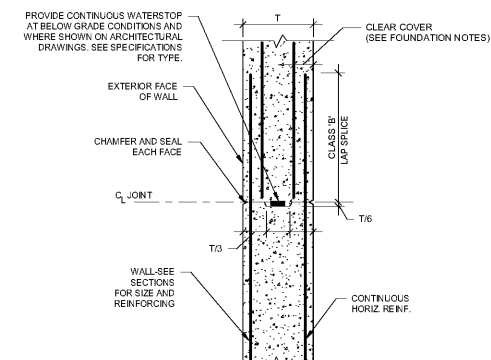
NOTES:
 1. GENERAL CONTRACTOR TO COORDINATE WITH MECHANICAL DRAWINGS AND SPECIFICATIONS TO DETERMINE REQUIREMENTS FOR HOUSEKEEPING PADS OVER SLAB ON GRADE AND PROVIDE WHERE REQUIRED WHETHER SHOWN ON STRUCTURAL DRAWINGS OR NOT. COORDINATE DIMENSIONS AND OTHER STRUCTURAL REQUIREMENTS WITH EQUIPMENT MANUFACTURERS AS REQUIRED.

5 CONCRETE HOUSEKEEPING PAD OVER SLAB ON GRADE OR
 ELEVATED SLAB
 3/4" = 1'-0"



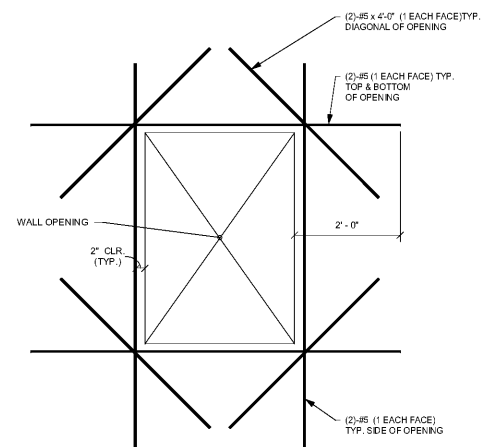
6 TYPICAL THICKENED SLAB AT STAIR POSTS
 1" = 1'-0"

7 TYPICAL ELEVATOR SILL DETAIL
 3/4" = 1'-0"

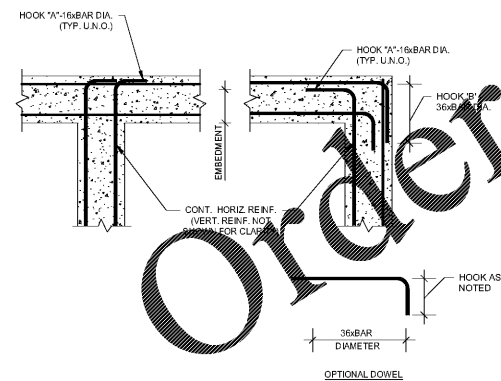


11 WALL CONSTRUCTION JOINT
 1" = 1'-0"

8 TYPICAL SECTION AT STEPPED DOWN
 FOOTING
 3/4" = 1'-0"



12 TYPICAL OPENING IN CONCRETE WALL
 3/4" = 1'-0"



NOTES:
 1. HOOK 'A' MAY BE OMITTED IF EMBEDMENT IS MORE THAN THE ADJ DEVELOPMENT LENGTH.
 2. DOWELS MAY BE USED IN LIEU OF HOOKING CONTINUOUS BARS AS SHOWN.

9 CONCRETE WALL INTERSECTION AND CORNER
 1" = 1'-0"

6 TYPICAL THICKENED SLAB AT STAIR POSTS
 1" = 1'-0"

STOP 50% OF HORIZONTAL REINFORCING AT EACH SIDE OF JOINT.
 NOTES:
 1. SEE SECTIONS FOR WALL SIZE AND REINFORCING
 2. MAXIMUM JOINT SPACING 20'-0"

10 WALL CONTROL JOINT
 1" = 1'-0"

NOTES:
 1. SUBMIT PROPOSED WALL JOINT LOCATIONS FOR APPROVAL PRIOR TO POURING WALL JOINTS SHALL BE SPACED NO CLOSER THAN 5'-0" FROM THE CORNERS AND PLASTERS.
 2. WHERE WALL SPANS HORIZONTALLY TO SUPPORT VERTICAL OR LATERAL LOADS, JOINTS SHALL BE LOCATED IN MIDDLE THIRD OF WALL SPANS, UNLESS NOTED OTHERWISE. SEE PLANS FOR LOCATIONS WHERE WALLS ARE SO DESIGNED.

NOTES:
 1. WHERE VERTICAL REINFORCEMENT IS INTERRUPTED BY THE OPENING, PROVIDE ONE-HALF OF THE INTERRUPTED BARS (FULL LENGTH) ON EACH SIDE OF THE OPENING IN PLACE OF THE (2)-#5 INDICATED.
 2. WHERE WALL SPANS HORIZONTALLY TO SUPPORT VERTICAL OR LATERAL LOADS, JOINTS SHALL BE LOCATED IN MIDDLE THIRD OF WALL SPANS, UNLESS NOTED OTHERWISE. SEE PLANS FOR LOCATIONS WHERE WALLS ARE SO DESIGNED.