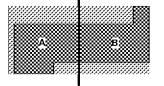




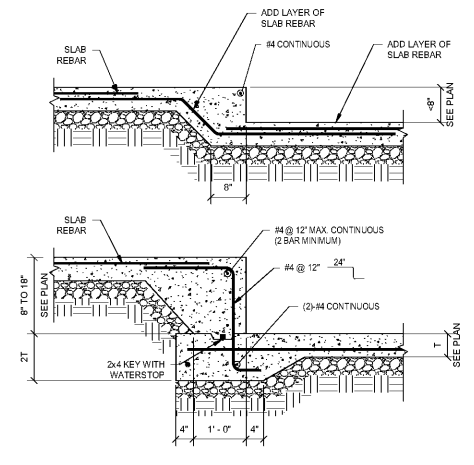
Key Plan



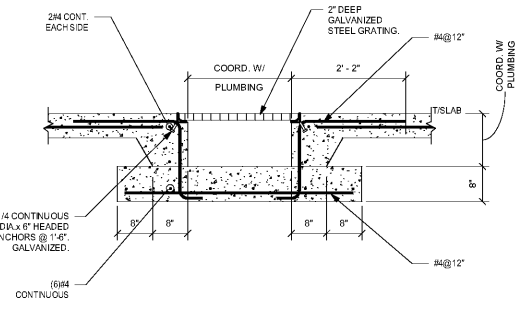
Professional Seals

**NOT FOR
CONSTRUCTION**

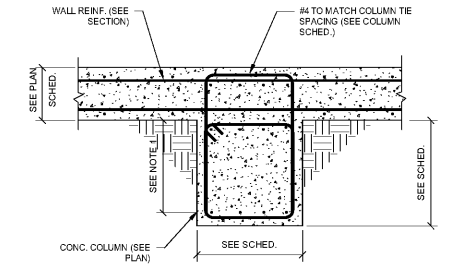
No.	Description	Date
1	ED - GMP	2019-07-03



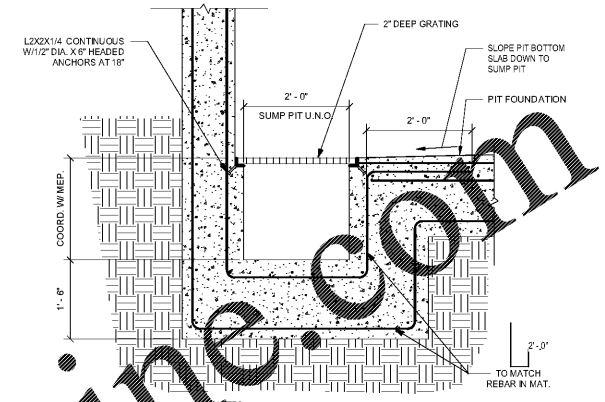
1 TYPICAL DEPRESSED/RAISED SLAB-ON-GRADE
DETAIL
3/4" = 1'-0"



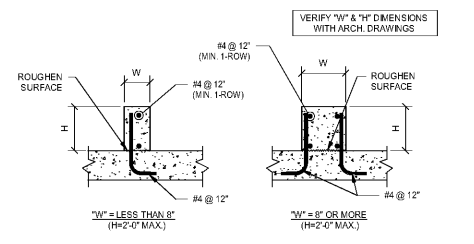
2 TYPICAL TRENCH DRAIN DETAIL
3/4" = 1'-0"



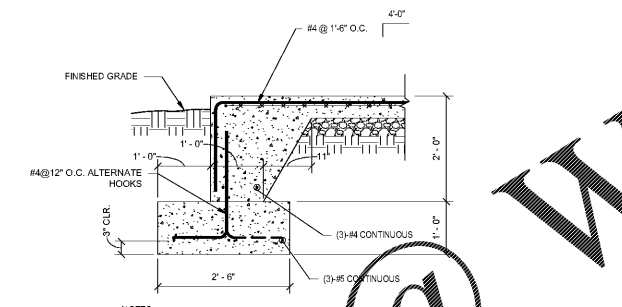
3 TYPICAL SECTION AT PILASTER
3/4" = 1'-0"



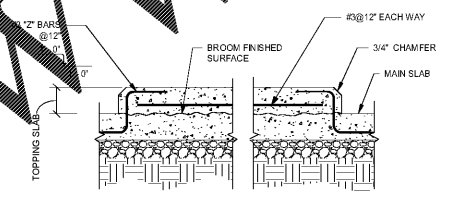
4 TYPICAL ELEVATOR/ESCALATOR SUMP PIT
3/4" = 1'-0"



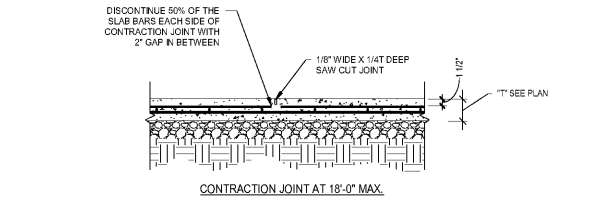
5 TYPICAL CONCRETE CURB DETAILS
1" = 1'-0"



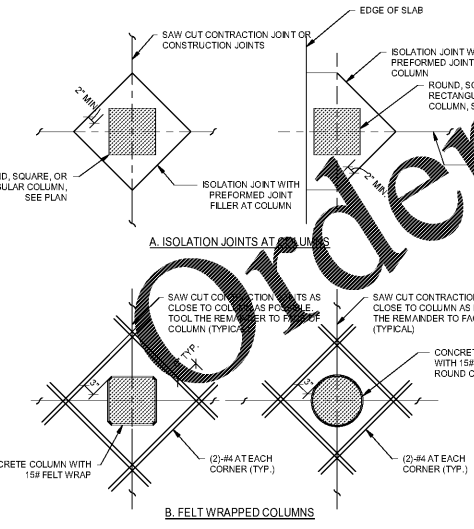
6 TYPICAL SLAB TURNED DOWN
3/4" = 1'-0"



7 TYPICAL SLAB-ON-GRADE TOPPING SLAB
DETAIL
3/4" = 1'-0"



8 TYPICAL SLAB-ON-GRADE CONTROL JOINT
DETAILS
3/4" = 1'-0"

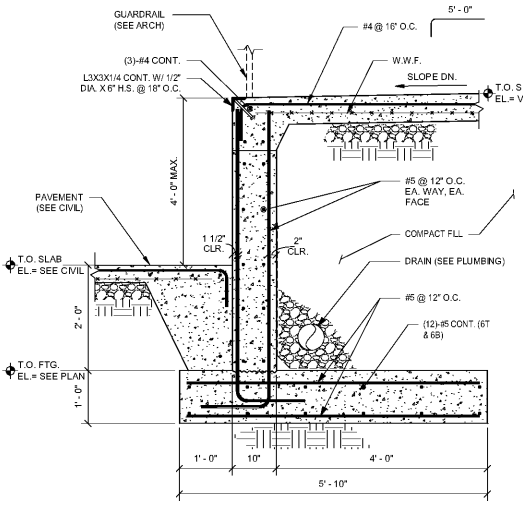


9 TYPICAL CONTROL JOINT DETAILS AT
COLUMNS
3/4" = 1'-0"

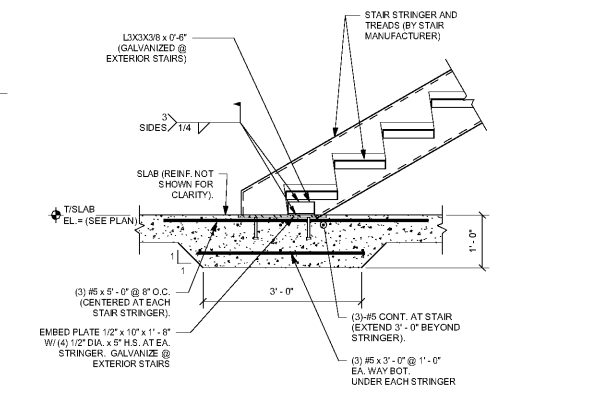
MARK	SIZE		REINFORCING		STIRRUPS (GR. 60)		REMARKS	
	WIDTH (IN)	DEPTH (IN)	SIZE	TYPE	SPA, EA. ENDS (UNLESS NOTED OTHERWISE)			
GB-1	48	36	8 #11	8 #11	#4	4 LEGS	1 @ 2, R @ 12	(2) #11 CONT. EACH FACE ADDITIONAL
GB-2	48	36	8 #11	8 #11	#4	4 LEGS	1 @ 2, R @ 12	(2) #11 CONT. EACH FACE ADDITIONAL (4) #11 x 20'-0" TOP BARS ADD'L NORTH END
GB-3	48	48	10 #11	10 #11	#4	4 LEGS	1 @ 2, 15 @ 6, R @ 12	(3) #11 CONT. EACH FACE ADDITIONAL
GB-4	72	36	12 #11	12 #11	#4	4 LEGS	EA. WAY	(8) #11 CONT. EACH FACE ADDITIONAL (2) LAYERS OF 4
GB-5	48	36	10 #11	10 #11	#4	4 LEGS	1 @ 2, R @ 12	(4) #11 CONT. EACH FACE ADDITIONAL

NOTES:
1. ALL TOP AND BOTTOM BARS TO BE CONTINUOUS U.N.O.

10 TYPICAL GRADE BEAM SCHEDULE
1" = 1'-0"



11 SECTION AT LOADING DOCK
3/4" = 1'-0"



12 TYPICAL STAIR STRINGER ON CONCRETE
3/4" = 1'-0"