

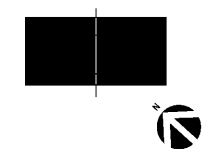
Project
**THE CENTER FOR
 ADVANCED SURGICAL
 SERVICES (CASS)**
 80 GILMER STREET SE
 ATLANTA, GA 30303

Prepared For
GRADY HEALTH SYSTEM
 80 JESSE HILL DR. SE
 ATLANTA, GA 30303

h+k
 Hellmuth, Obata & Kassabaum, Inc.
 133 Peachtree Street, NE, Suite 4800
 Atlanta, GA 30303 USA
 T+1 404 439 9000 F+1 404 439 9001

All reproduction & intellectual property rights reserved © 2014
 In Association with

Key Plan



Professional Seals

NOT FOR CONSTRUCTION

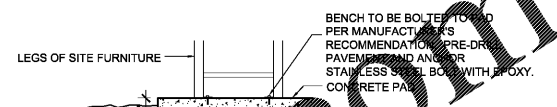
| No. | Description | Date |
|-----|-------------|------------|
| 1 | DC - GMP | 2018-07-03 |

Project No: 18.16013.00
 Sheet Title

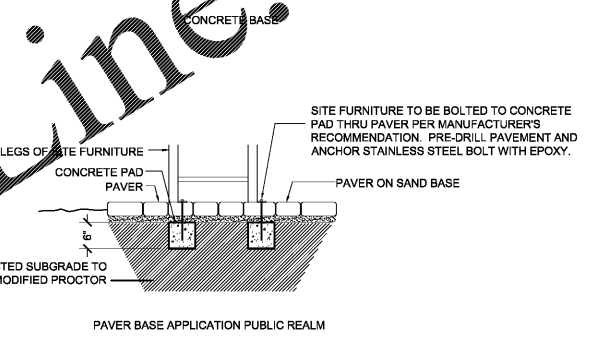
SITE DETAILS

Original is 30 x 42. Do not scale contents of this drawing.
 Sheet Number

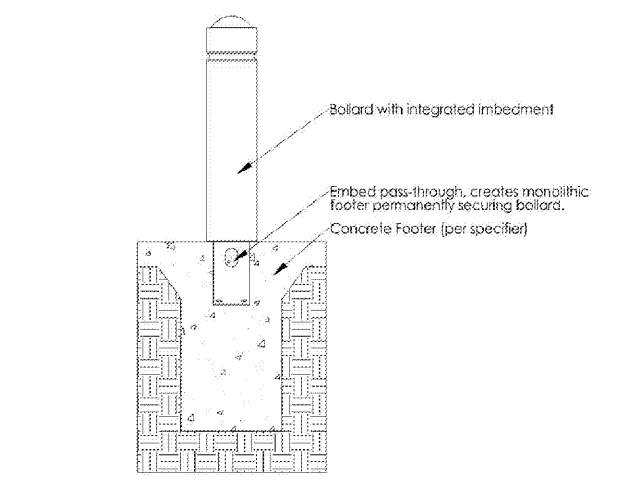
L603



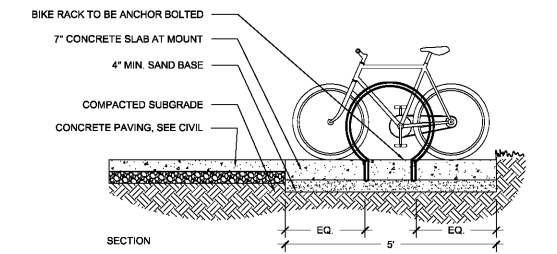
NOTES:
 1. ACCESSORY MOUNTING APPLIES TO BENCHES AND TRASH RECEPTACLES.



3 SITE FURNISHING MOUNTING
 3/4" = 1'-0"



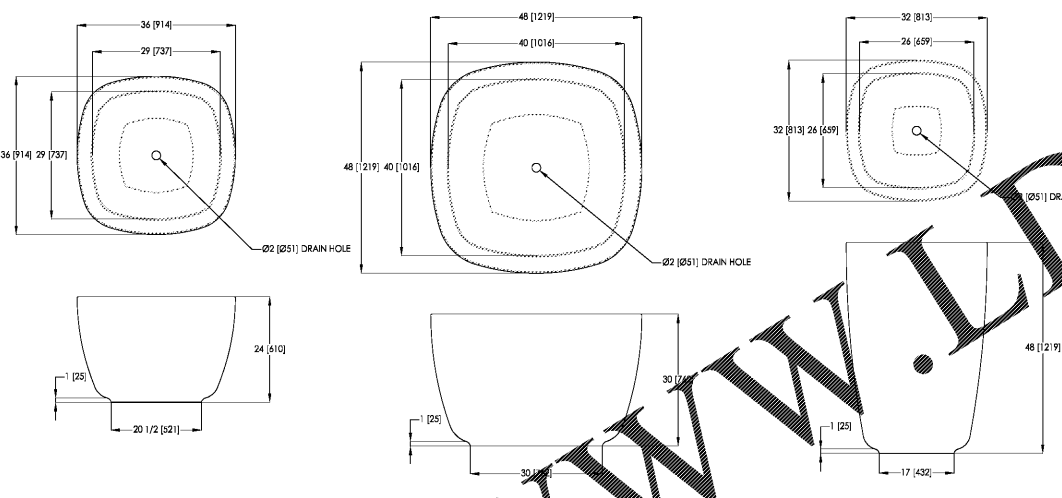
2 DECORATIVE BOLLARD
 1" = 1'-0"



NOTES:
 1. INSTALL ACCORDING TO MANUFACTURER'S SPECIFICATIONS.
 2. PROVIDE RECOMMENDED SPACING BETWEEN RACKS ACCORDING TO ASSOCIATION OF PEDESTRIAN AND BICYCLE PROFESSIONALS.
 3. CONCRETE FINISH TO MATCH ADJACENT SIDEWALK.

1 BIKE RACK MOUNTING
 1/2" = 1'-0"

Larkspur Planter Dimensions Vary
 www.landscapeforms.com Ph: 800.521.2546
 Product Drawing



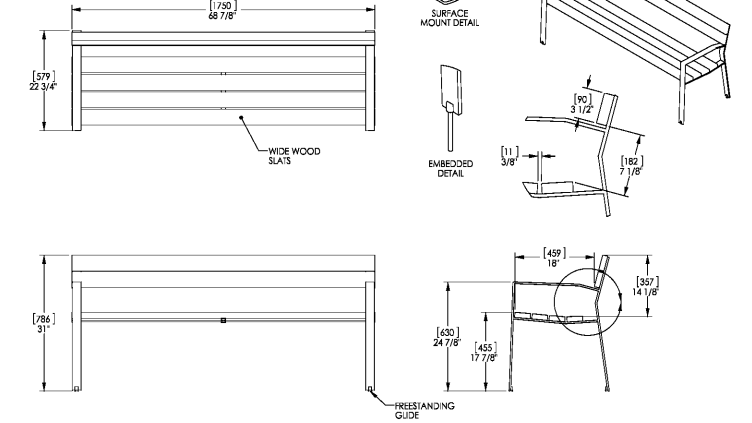
Drawing: LR337-01
 Dimensions are in inches [mm]

5 PLANTER POTS
 3/4" = 1'-0"

@

Harpco Backed bench, 69in length, wide wood slats
 www.landscapeforms.com Date: 6/18/2014
 Product Drawing Ph: 800.521.2546

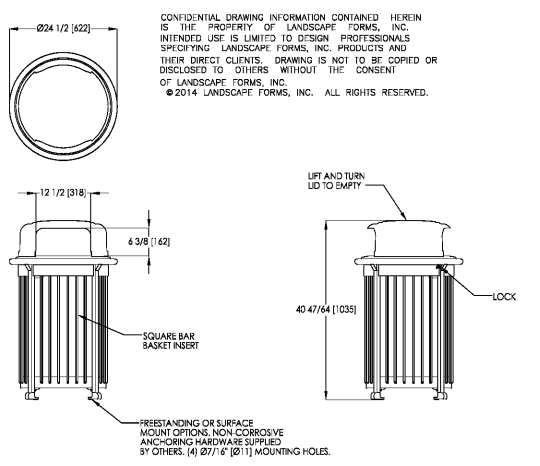
SURFACE MOUNT OPTION: (4) 1/4" THICK ANCHOR TABS WITH Ø1/2" HOLES FOR ANCHORING. NON CORROSIVE ANCHORING HARDWARE SUPPLIED BY OTHERS.
 EMBEDDED OPTION: INCLUDES (4) 10mm x 120mm TH-READED RODS



CONFIDENTIAL DRAWING INFORMATION CONTAINED HEREIN IS THE PROPERTY OF LANDSCAPE FORMS, INC. INTENDED USE IS LIMITED TO DESIGN PROFESSIONALS SPECIFYING LANDSCAPE FORMS, INC. PRODUCTS AND THEIR DIRECT CLIENTS. DRAWING IS NOT TO BE COPIED OR DISCLOSED TO OTHERS WITHOUT THE CONSENT OF LANDSCAPE FORMS, INC. © 2014 LANDSCAPE FORMS, INC. ALL RIGHTS RESERVED.

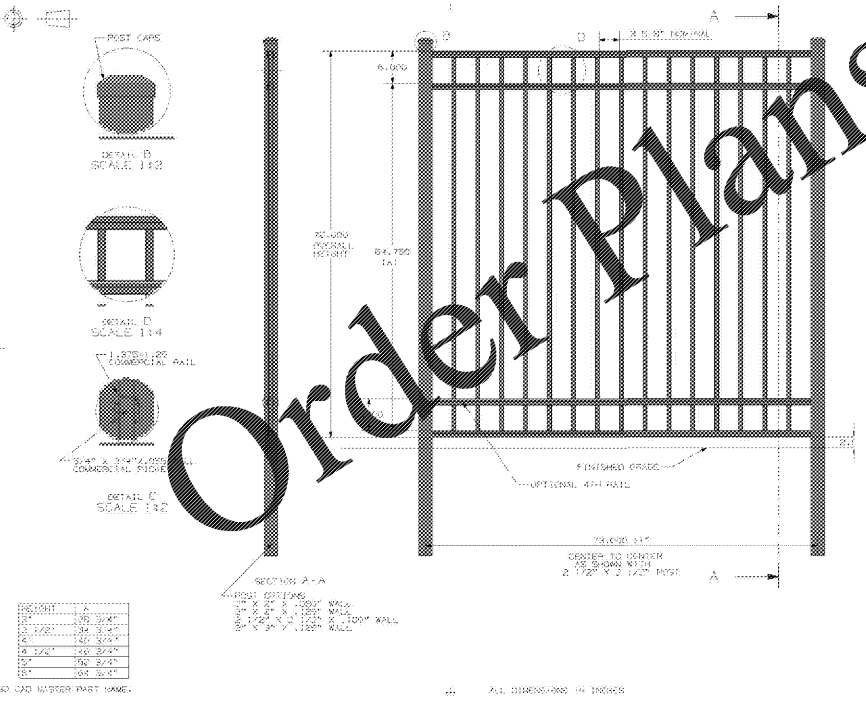
4 BENCH
 3/4" = 1'-0"

Scarborough™ Litter Receptacle, Side Opening, 30 Gallon, Square Bar, with Lock
 Product Drawing



Drawing: SC178-06
 Dimensions are in inches [mm]

7 TRASH RECEPTACLE
 3/4" = 1'-0"



6 ALUMINUM FENCE
 3/4" = 1'-0"