



Geary Engineering
 5502 Walsh Lane Suite 102
 Rogers, AR. 72758
 Phone: (479) 464-8006
 E-mail: tgeary@gearyeng.com
 Web: www.gearyeng.com

THESE DRAWINGS ARE
 PRELIMINARY IN NATURE
 AND INTENDED FOR
 REVIEW
 AND PERMITTING.
 DRAWINGS ARE NOT TO BE
 USED FOR CONSTRUCTION
 WITHOUT ARCHITECT'S AND
 ENGINEER'S SIGNATURE
 AND THEIR DATE OF ISSUE
 FOR CONSTRUCTION.



9726 E. 42nd St. SUITE 153
 TULSA, OK 74146
 918.640.6800
 JHNSANFORD@AOL.COM

Copyright 2019 John Sanford

JOHN SANFORD,
 AIA, NCARB
 TN LICENSE #106056

NOT VALID FOR
 CONSTRUCTION UNLESS
 SIGNED IN THIS BLOCK

PROPOSED HOLIDAY INN LI9383
 215 CRACKER BARREL DR., CLARKSVILLE, TN
 MONTGOMERY COUNTY, TENNESSEE

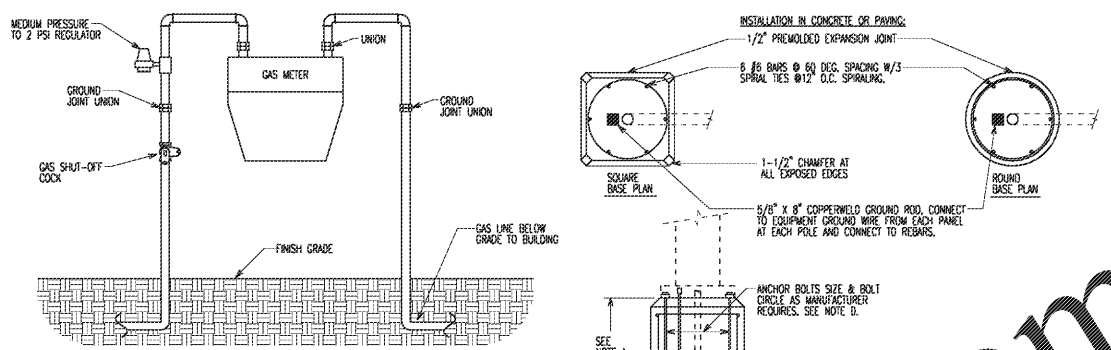
PERMIT NO: _____

GE#18002

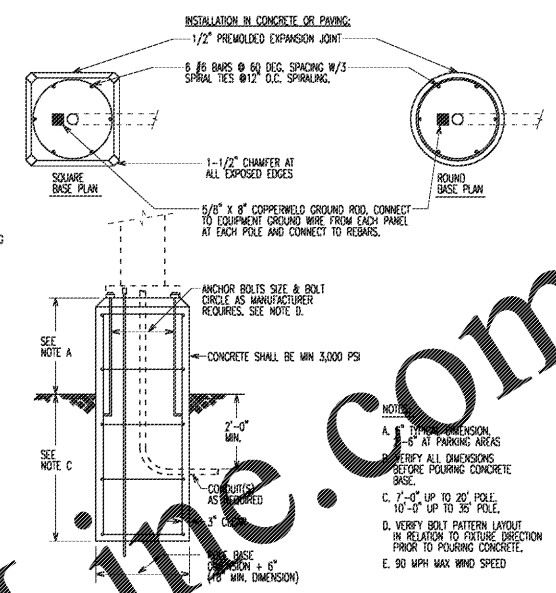
No.	Description	Date

SHEET

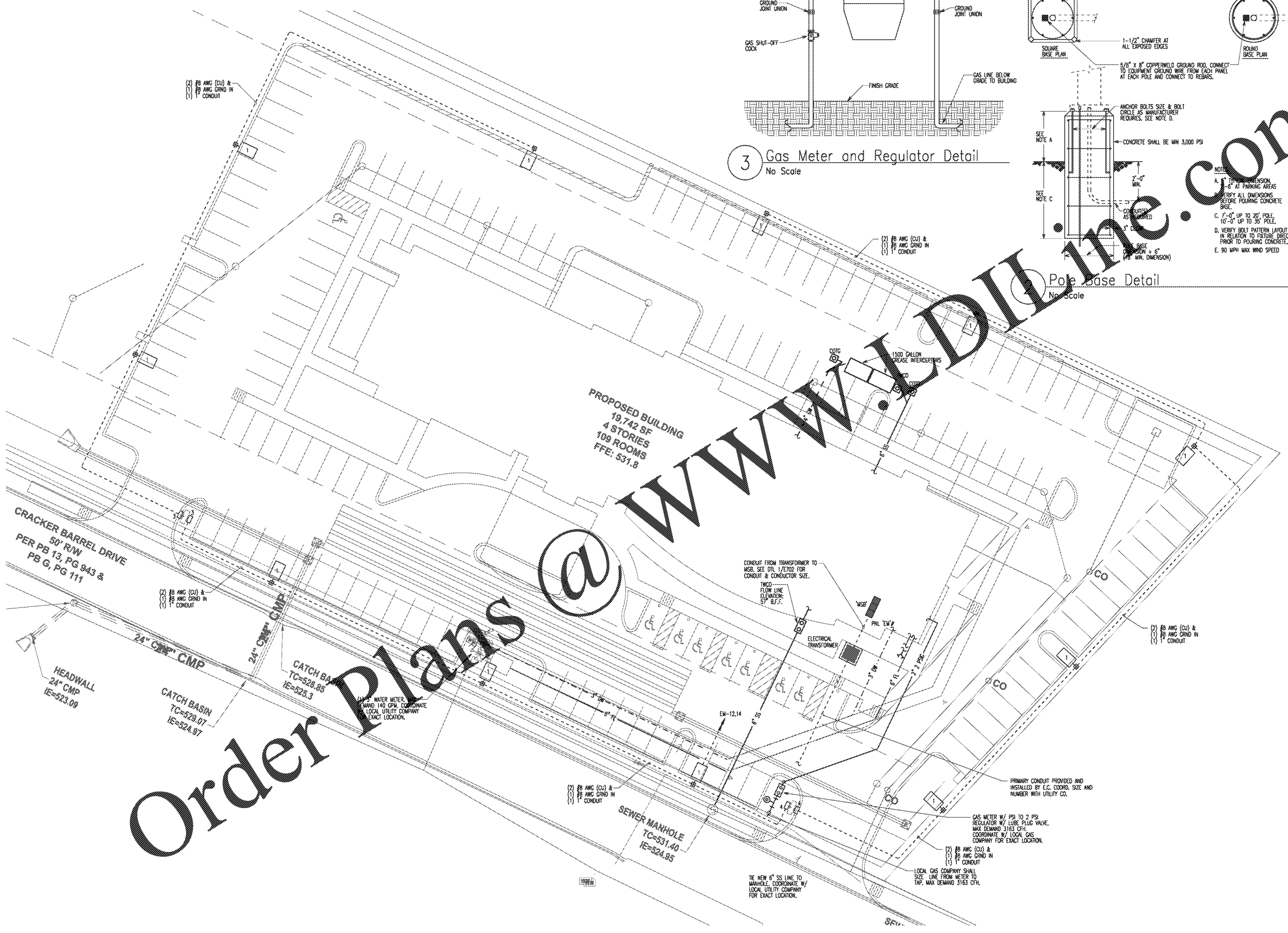
MEP
 SITE LIGHTING &
 UTILITY PLAN



3 Gas Meter and Regulator Detail
 No Scale



Pole Base Detail
 No Scale



1 Site Lighting & Utility Plan
 1"=20'-0"



ALL INFORMATION CONTAINED HEREIN IS UNCLASSIFIED EXCEPT WHERE SHOWN OTHERWISE. ALL INFORMATION CONTAINED HEREIN IS UNCLASSIFIED EXCEPT WHERE SHOWN OTHERWISE. ALL INFORMATION CONTAINED HEREIN IS UNCLASSIFIED EXCEPT WHERE SHOWN OTHERWISE.