



Geary Engineering
 5502 Walsh Lane Suite 102
 Rogers, AR. 72758
 Phone: (479) 464-8006
 E-mail: tgeary@gearyeng.com
 Web: www.gearyeng.com

THESE DRAWINGS ARE PRELIMINARY IN NATURE AND INTENDED FOR REVIEW AND PERMITTING. DRAWINGS ARE NOT TO BE USED FOR CONSTRUCTION WITHOUT ARCHITECT'S AND ENGINEER'S SIGNATURE AND THEIR DATE OF ISSUE FOR CONSTRUCTION.



9726 E. 42nd St. SUITE 153
 TULSA, OK 74146
 918.640.6800
 JHNSANFORD@AOL.COM

Copyright 2019 John Sanford
JOHN SANFORD,
 AIA, NCARB
 TN LICENSE #106056

NOT VALID FOR CONSTRUCTION UNLESS SIGNED IN THIS BLOCK

PROPOSED HOLIDAY INN LI9383
 215 CRACKER BARREL DR., CLARKSVILLE, TN
 MONTGOMERY COUNTY, TENNESSEE

PERMIT NO: _____

GE#18002

No.	Description	Date

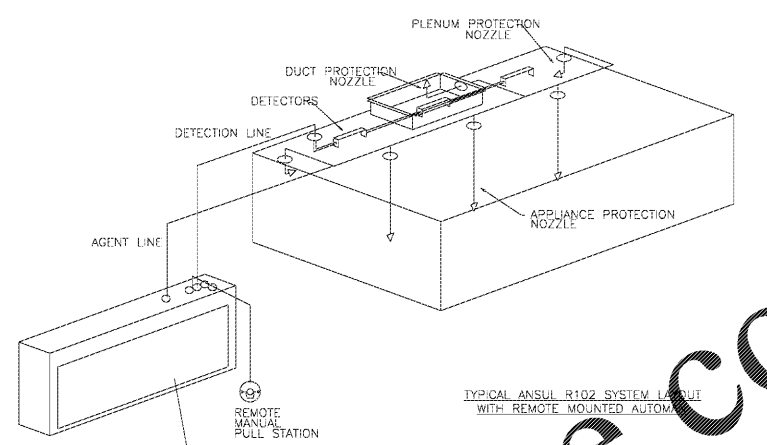
SHEET
M404
 MECHANICAL
 HOOD FIRE
 SUPPRESSION

FIRE SYSTEM NO.	Tag	TYPE	SIZE	FLOW POINTS	INSTALLATION	
					SYSTEM	LOCATION ON HOOD
1		Ansul R102	3.0/3.0	19	Wall Utility Cabinet Left	N/A

FIRE SYSTEM NO.	TAG	TYPE	SIZE	SUPPLIED BY
1		Mechanical	2.000	CaptiveAir Systems

FIRE SYSTEM NO.	TAG	KEY NUMBER - PART DESCRIPTION	QTY. BY FACTORY	QTY. BY DIST.
0	0	43-15733 AIR CYLINDER ASSEMBLY - Air Cylinder and Tubing for Mechanical Gas Valves (Ansul Part #15733)	1	0
0	0	DISC UNION Bursting Disc Union Assembly for Manifold System.	0	1
0	0	Tank Strap Tank Strap - used for ANSUL Tanks	2	0
0	0	UCTANKBRACKET Tank Bracket for fire system tank installation in utility cabinets	2	0
1	1	AT - 3.0 TANK (#19) - 3.0 Gallon SS Tank (for use with Automan Release, Actuator, or SS Enclosure (UL/ULC)) Maccola # 01-429862	2	0
3	3	ANS-DEM REGULATED RELEASE - Ansul Regulated Mechanical Release/Bracket Assembly, DEM, R-102, Cartridge Detection Included, Ansul Part # 79493	1	0
5	5	LIQ-3.0 AGENT - Ansulex Low PH Wet Chemical Agent, 3 Gallon (UL) 79372	0	2
9	9	DT-CART Double Tank Nitrogen Cartridge	0	1
10	10	TLINK LINK - Test Link (1 test link) Ansul Part # 24916, Maccola # 20-24916	0	1
11	11	MICRO-SDA MICROSWITCH KIT - Includes 2 switches and Mounting Hardware, Single Dual Electric Switch, One Standard Switch, One Alarm Duty Switch Ansul Part # 437155, Maccola # 08-437155	1	0
12	12	HOSE HOSE - Rubber Hose	1	0
27	27	QPSA-1/2 PULLEY SEAL - 1/2" Hood Seal (UL) Ansul Part # 423253, Maccola # 32-79768	5	0
34	34	RPS-A REMOTE PULL STATION - Red composite (without wire rope) 434618 (Old Maccola #06-4835)	1	0
35	35	PE-LT PULLEY ELBOW - Low Temp. Pulley Elbow, Set Screw Type Ansul Part # 415670, Maccola # 11-415671	3	10
36	36	PE-HT PULLEY ELBOW - High Temp Pulley Elbow, Compression Type, Ansul Part # 423251, Maccola # 10-45771	4	0

System Size: ANSUL-3.0/3.0-MANIFOLD-WC Total FP required: 19
 Hood # 1 11' 11.00" Long x 60" Wide x 24" High
 Riser # 1 Size: 0" x 0"
 Hood # 2 11' 11.00" Long x 60" Wide x 24" High
 Riser # 1 Size: 0" x 0"



TYPICAL ANSUL R102 SYSTEM LAYOUT WITH REMOTE MOUNTED AUTOMAN RELEASE
 WALL MOUNT UTILITY CABINET FOR CONTROLS AND ANSUL 48" LONG x 12" DEEP x 24" TALL
 MOUNT JUST BELOW CEILING OF CABINET, PENETRATES CEILING BY 1-3 INCHES

- NOTES
- FIELD PIPE DROPS AS SHOWN
 - SLEEVING, ELBOWS, TEES, AND NOZZLES SUPPLIED BY GAS
 - RELOCATE NOZZLES IF FLOW PATTERN IS BLOCKED BY SHELVING, SALAMANDERS, ETC.
 - MAXIMUM 9 ELBOWS IN SUPPLY LINE
 - MINIMUM 72 INCHES OF AGENT LINE FROM TANK TO FIRST NOZZLE
 - IF APPLICABLE, PRE-PIPED CHARGED/CHARGER DROPS ARE SHIPPED LOOSE
 - FACTORY PIPING EXTENDS A MAXIMUM OF 6' ABOVE THE TOP OF THE HOOD
 - APPLIANCE DIMENSIONS LISTED REPRESENT THE COOKING SURFACE SIZE, NOT THE OVERALL APPLIANCE SIZE.
 - THIS FIRE SYSTEM COMPLIES WITH U.L. 300 REQUIREMENTS

SPECIFICATIONS

THE RESTAURANT FIRE SUPPRESSION SYSTEM SHALL BE THE PRE-ENGINEERED TYPE WITH A FIXED NOZZLE AGENT DISTRIBUTION NETWORK. IT SHALL BE LISTED WITH UNDERWRITERS LABORATORIES, INC. (UL)

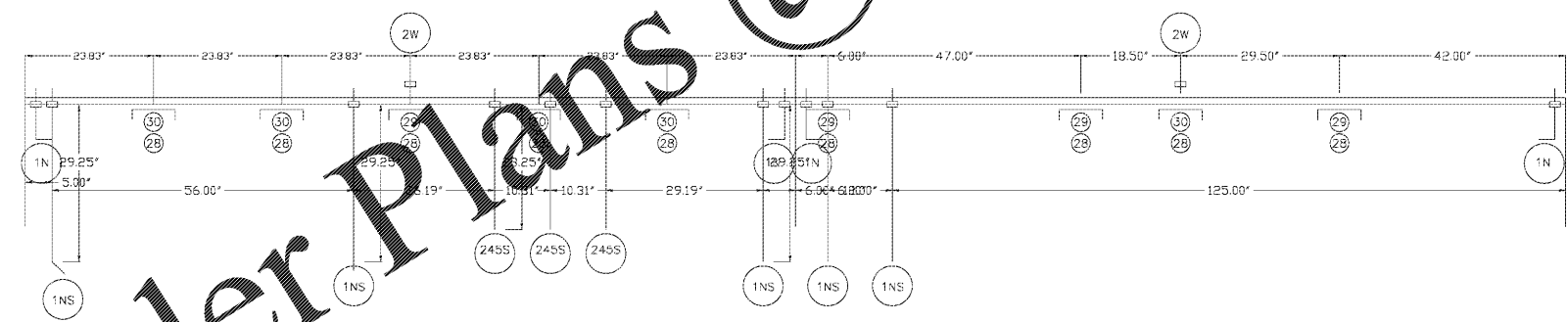
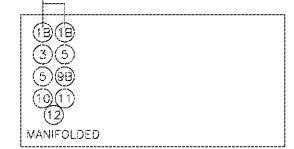
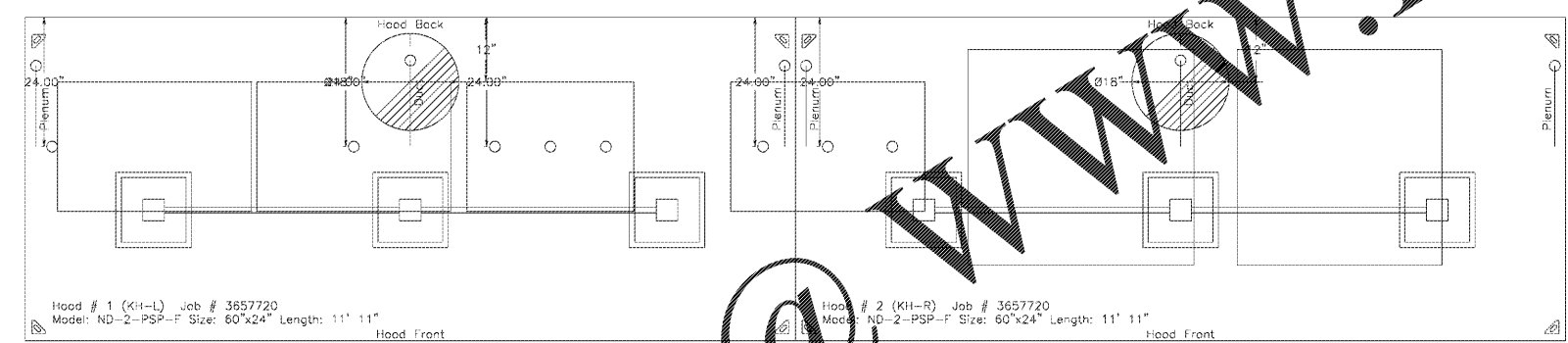
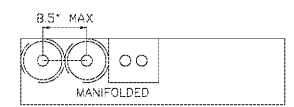
THE SYSTEM SHALL BE CAPABLE OF AUTOMATIC DETECTION AND ACTUATION WITH LOCAL OR REMOTE MANUAL ACTUATION. ACCESSORIES SHALL BE AVAILABLE FOR MECHANICAL OR ELECTRICAL GAS LINE "SHUT-OFF" APPLICATIONS.

THE EXTINGUISHING AGENT SHALL BE A POTASSIUM CARBONATE, POTASSIUM ACETATE-BASED FORMULATION DESIGNED FOR FLAME "KNOCKDOWN AND SECUREMENT OF GREASE RELATED FIRES". IT SHALL BE AVAILABLE IN PLASTIC CONTAINERS WITH INSTRUCTIONS FOR LIQUID AGENT HANDLING AND USAGE.

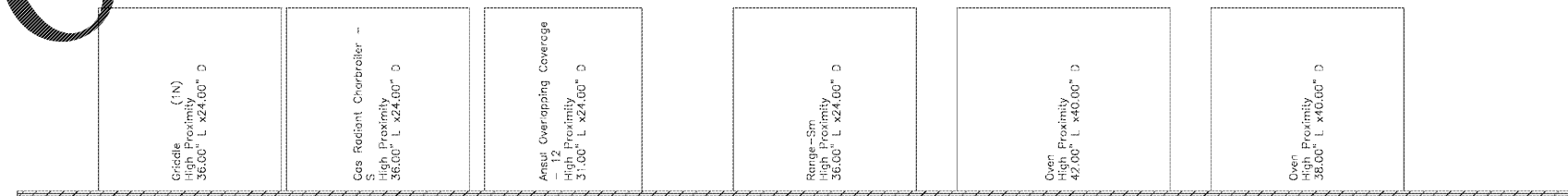
THE REGULATED RELEASE MECHANISM SHALL BE COMPATIBLE WITH A FUSIBLE LINK DETECTION SYSTEM. THE FUSIBLE LINK SHALL BE SELECTED AND INSTALLED ACCORDING TO THE OPERATING TEMPERATURE IN THE VENTILATING SYSTEM. THE FUSIBLE LINK SHALL BE SUPPORTED BY A DETECTOR BRACKET/LINKAGE ASSEMBLY.

LEGEND - FIRE CABINET ANSUL SYSTEM

- 1A 1.5 GALLON TANK
- 1B 3 GALLON TANK
- 2 OEM AUTOMAN RELEASE
- 3 OEM REGULATED RELEASE
- 4 OEM REGULATED ACTUATOR
- 5 ANSULEX LIQUID AGENT (3 GAL.)
- 6 ANSULEX LIQUID AGENT (1.5 GAL.)
- 7 CARTRIDGE (101-20)
- 8 CARTRIDGE (101-10)
- 9 CARTRIDGE (101-30)
- 9A CARTRIDGE (LT-A-101-30)
- 9B DOUBLE TANK CARTRIDGE
- 10 TEST LINK
- 11 DOUBLE MICROSWITCH
- 12 HOSE ASSEMBLY
- 1100 DUCT NOZZLE (430913)
- 2W DUCT NOZZLE (419337)
- 1W NOZZLE ASSEMBLY (419336)
- 1F NOZZLE ASSEMBLY (419333)
- 1N NOZZLE ASSEMBLY (419335)
- 1/2N NOZZLE ASSEMBLY (419334)
- 3N NOZZLE ASSEMBLY (419338)
- 24S NOZZLE ASSEMBLY (419340)
- 230 NOZZLE ASSEMBLY (419339)
- 2120 NOZZLE ASSEMBLY (419343)
- 280 NOZZLE ASSEMBLY (419342)
- 260 NOZZLE ASSEMBLY (419341)
- 28 DETECTOR BRACKET
- 29 LOW TEMP FUSIBLE LINK
- 30 HIGH TEMP FUSIBLE LINK
- MGV MECHANICAL GAS VALVE
- EGV ELECTRICAL GAS VALVE
- 34 REMOTE MANUAL PULL STATION
- S SWIVEL ADAPTOR



Order Plans @



© 2019 GEARY ENGINEERING, INC. ALL RIGHTS RESERVED. THIS DOCUMENT IS THE PROPERTY OF GEARY ENGINEERING, INC. AND IS NOT TO BE REPRODUCED, COPIED, OR TRANSMITTED IN ANY FORM OR BY ANY MEANS, ELECTRONIC OR MECHANICAL, WITHOUT THE WRITTEN PERMISSION OF GEARY ENGINEERING, INC. THE INFORMATION CONTAINED HEREIN IS FOR INFORMATIONAL PURPOSES ONLY AND DOES NOT CONSTITUTE AN OFFER OF ANY SERVICE OR PRODUCT. THE INFORMATION CONTAINED HEREIN IS NOT TO BE USED FOR CONSTRUCTION WITHOUT ARCHITECT'S AND ENGINEER'S SIGNATURE AND THEIR DATE OF ISSUE FOR CONSTRUCTION.