

HOOD NO.	TAG	MODEL	LENGTH	MAX. COOKING TEMP.	EXHAUST PLENUM RISER(S)					TOTAL SUPPLY CFM	HOOD CONSTRUCTION	HOOD CONFIG.			
					WIDTH	LENG.	HEIGHT	DIA.	CFM			VEL.	S.P.	END TO END	ROW
1	KH-L	6024 ND-2-PSP-F	11' 11"	600 Deg.	2681		4"	16"	2681	1920	-1.023"	2145	430 SS Where Exposed	LEFT	ALONE
2	KH-R	6024 ND-2-PSP-F	11' 11"	600 Deg.	2681		4"	16"	2681	1920	-1.023"	2145	430 SS Where Exposed	RIGHT	ALONE
3	DH-1	4824 VHB-G	4' 0"	700 Deg.	500		4"	8"	500	1432	-0.095"	0	430 SS 100%	ALONE	ALONE

** Below Work to be performed by factory trained and TAB certified servicing agent. **
 - Verify that all components are installed correctly and are in accordance with as built drawings
 - All equipment to be commissioned per start-up procedures in O&M documents
 - Check fan rotation, belt tension, blower and motor rpm, amperage and adjust if necessary
 - Hood / Fans test and balance worksheet and provide to the Mechanical Engineer
 - Verify and adjust equipment to ensure hood captures correctly and features perform as designed
 - Consult with contractors and answer their questions or direct them to the technical support line
 - Provide guidance on the proper function and maintenance of equipment to Owners or General Contractors
 - Complete Manufacturers Start-up and Warranty form and send copy to Mechanical Engineer for their files

CAPTIVE-AIRE HOODS ARE BUILT IN COMPLIANCE WITH
 NFPA #96
 UL 710 & ULC710 STANDARDS
 E.T.L. LISTED 3054804-001

Geary Engineering
 5502 Walsh Lane Suite 102
 Rogers, AR. 72758
 Phone: (479) 464-8006
 E-mail: tgeary@gearyeng.com
 Web: www.gearyeng.com

THESE DRAWINGS ARE PRELIMINARY IN NATURE AND INTENDED FOR REVIEW AND PERMITTING. DRAWINGS ARE NOT TO BE USED FOR CONSTRUCTION WITHOUT ARCHITECT'S AND ENGINEER'S SIGNATURE AND THEIR DATE OF ISSUE FOR CONSTRUCTION.

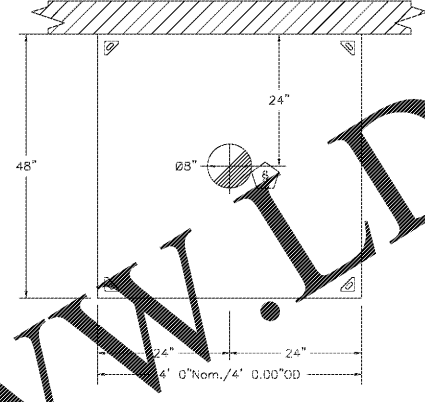
HOOD NO.	TAG	TYPE	FILTER(S)		LIGHT(S)		WIRE GUARD	LOCATION	SIZE	UTILITY CABINET(S)		FIRE SYSTEM PIPING	HOOD HANGING WEIGHT				
			QTY.	HEIGHT	LENGTH	EFFICIENCY @ 7 MICRONS				QTY.	TYPE			FIRE SYSTEM TYPE	SIZE	ELECTRICAL MODEL #	SWITCHES QUANTITY
1	KH-L	Captrate Solo Filter	8	20"	16"	85% See Filter Spec.	3	12" x 12" LED	NO	Wall Mnt	12"x48"x24"	Ansul R102	3.0/3.0	DCV-1111	1 Light 1 Fan	YES	662 LBS
2	KH-R	Captrate Solo Filter	8	20"	16"	85% See Filter Spec.	3	12" x 12" LED	NO							YES	585 LBS
3	DH-1						0									NO	166 LBS

HOOD NO.	TAG	OPTION	
		FIELD WRAPPER	OPTION
1	KH-L	FIELD WRAPPER	5.00" High Front, Left
		BACKSPLASH	122.00" High X 307.00" Long 430 SS Vertical
2	KH-R	FIELD WRAPPER	5.00" High Front
		RIGHT END STANDOFF (FINISHED)	1" Wide 60" Long Insulated
3	DH-1	FIELD WRAPPER	5.00" High Front, Left, Right

- GENERAL NOTES:**
- ELECTRICAL HOOK-UP TO GAS MOTOR CONTROLS (MOTOR STARTERS, FAN SWITCHES, FAN DISCONNECTS, RELAYS, ETC.) BY OTHERS.
 - FIRE CHASE BY OTHERS, IF REQUIRED.
 - ALL PHASES OF INSTALLATION SHALL COMPLY WITH NFPA 96.
 - WRITTEN MEASUREMENTS HAVE PRECEDENCE OVER SCALE.
 - PROVIDE CLEANOUTS IN EXHAUST AIR DUCTS AS INDICATED TO ALLOW CLEANING AT ALL BENDS AND HORIZONTAL RUNS.
 - EXHAUST DUCT TO BE 16 GA. GAV STEEL. ALL SEAMS AND JOINTS TO HAVE A LIQUID TIGHT CONTINUOUS EXTERNAL WELD.
 - FAN TO HAVE A MINIMUM OF 10 FT. OF CLEARANCE FROM THE OUTLET TO ADJACENT BUILDINGS, PROPERTY LINES, AIR INTAKES OR 3 FT. VERTICAL CLEARANCE PER NFPA96.
 - HORIZONTAL EXHAUST DUCT TO SLOPE NOT LESS THAN 1/4" PER FOOT TOWARD HOOD FOR DUCT LESS THAN 75' LONG.
 - 1" PER FOOT SLOPE FOR DUCT LONGER THAN 75'.
 - HOOD TO OVERHANG COOKING EQUIPMENT 6" ON ALL OPEN SIDES.
 - EXHAUST DUCT TO BE PROTECTED FROM COMBUSTIBLES PER NFPA96 AND LOCAL CODE.
 - BUILDING PRESSURE SHALL NOT EXCEED 0.02" WATER COLUMN AT EXTERIOR DOORS.
 - KITCHEN SHALL BE BALANCED TO BE NEGATIVE WITH RESPECT TO THE DINING ROOM.

HOOD NO.	TAG	POS.	LENGTH	WIDTH	HEIGHT	RISER(S)					
						TYPE	WIDTH	LENG.	DIA.	CFM	S.P.
1	KH-L	Front	14.3"	16"	6"	MUA	14"	357	0.114"		
						MUA	14"	357	0.114"		
						MUA	14"	357	0.114"		
						MUA	14"	357	0.114"		
						MUA	14"	357	0.114"		
						MUA	14"	357	0.114"		
2	KH-R	Front	14.4"	16"	6"	MUA	14"	357	0.114"		
						MUA	14"	357	0.114"		
						MUA	14"	357	0.114"		
						MUA	14"	357	0.114"		
						MUA	14"	357	0.114"		
						MUA	14"	357	0.114"		

NOTES:
 *INCLUDES DISHWASHER HOOD(S) IN EXHAUST TOTALS.
 (TYPICALLY DISHWASHER HOODS ONLY RUN WHEN DISHWASHERS ARE ON)
 THIS HOOD SYSTEM HAS A HEAT SENSOR(S) THAT COMPLIES WITH IMC 507.2.1.1 FOR AUTOMATIC FAN ACTIVATION WHENEVER COOKING OPERATIONS OCCUR.

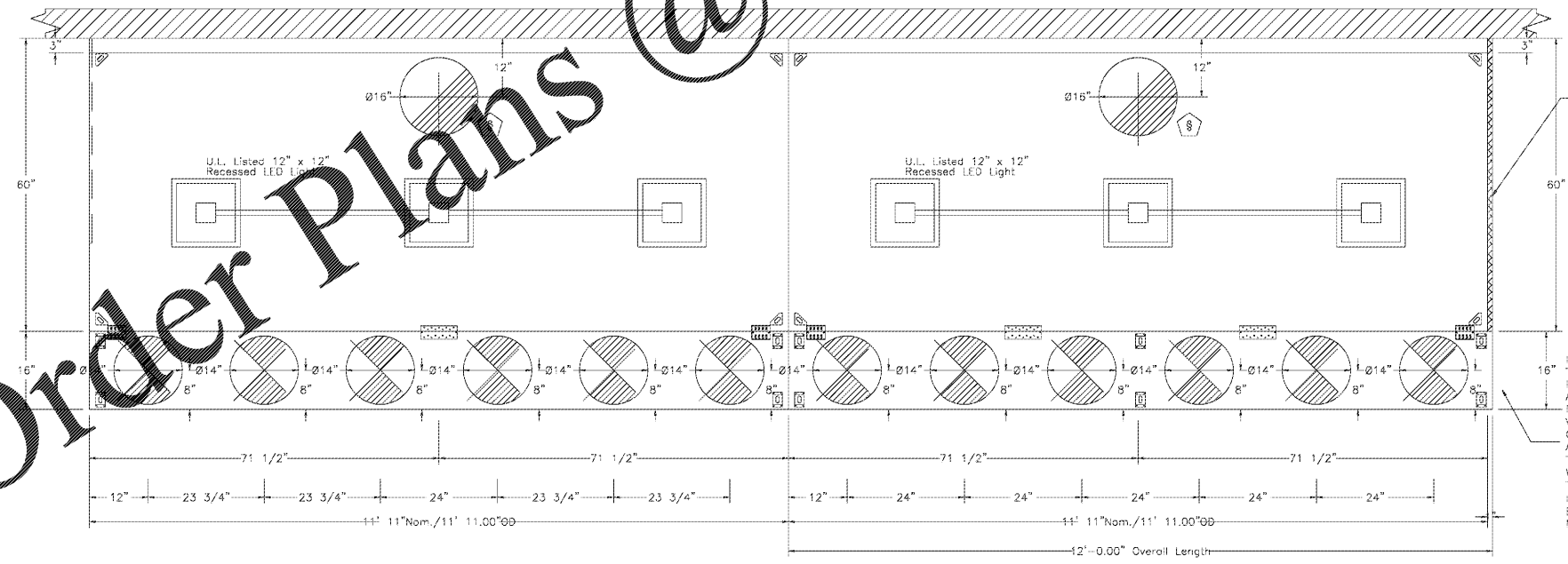


PLAN VIEW - Hood #3 (DH-1)
 4' 0.00" LONG 4824VHB-G

SPECIFICATION: CAPTRATE® GREASE-STOP® SOLO FILTER
 THE CAPTRATE GREASE-STOP SOLO FILTER IS A SINGLE-STAGE FILTER FEATURING A UNIDUAL S-BAFFLE DESIGN IN CONJUNCTION WITH A SLOTTED AIR BAFFLE DESIGN, TO DELIVER EXCEPTIONAL FILTRATION EFFICIENCY.
 FILTER IS STAINLESS STEEL CONSTRUCTION, AND SIZED TO FIT INTO STANDARD 2-INCH DEEP HOOD CHANNELS.
 UNITS SHALL INCLUDE STAINLESS STEEL HANDLES AND A FASTENING DEVICE TO SECURE THE TWO COMPONENTS WHEN ASSEMBLED.
 GREASE EXTRACTION EFFICIENCY PERFORMED SHALL REMOVE AT LEAST 75% OF GREASE PARTICLES FIVE MICRONS IN SIZE AND PARTICLES SEVEN MICRONS IN SIZE AND LARGER, WITH A CORRESPONDING PRESSURE DROP NOT EXCEEDING 1.0 INCHES OF WATER GAUGE.
 THE CAPTRATE GREASE-STOP SOLO WAS TESTED TO ASSE STANDARD ASTM F2519-05.
 EFFICIENCY VS PARTICLE CHARACTERISTICS (PERFORMANCE VS. SLOPE RATIO)

CAPTIVE-AIRE FILTERS ARE BUILT IN COMPLIANCE WITH:
 NSF STANDARD #2
 UL STANDARD #1046
 IMC CODE (IMC)
 ULC-5649

Order Plans @ WWW.LDILINE.COM



PLAN VIEW - Hood #1 (KH-L)
 11' 11.00" LONG 6024ND-2-PSP-F

PLAN VIEW - Hood #2 (KH-R)
 11' 11.00" LONG 6024ND-2-PSP-F

1" LAYER OF INSULATION FACTORY INSTALLED IN 1.00" END STANDOFF MEETS 0" REQUIREMENTS CLEARANCE TO COMBUSTIBLE SURFACES.

INSTALLER MUST CONFIRM HOOD IS INSTALLED SUCH THAT THE SPECIFIED WALL, ACTING AS AN END PANEL, IS MATED TIGHT TO THE CORRECT END OF HOOD TO ACHIEVE A REDUCED MINIMUM EXHAUST CFM LISTING. NON-COMPLIANCE WILL NULLIFY THE ETL LISTING, VOID THE MANUFACTURER'S WARRANTY, AND HOLD THE CONTRACTOR LIABLE FOR ANY AND ALL LOSSES, COSTS, AND EXPENSES RELATED TO THE NON-COMFORMANCE OF THE MANUFACTURER'S SPECIFIED INSTRUCTION. THE WALL ACTING AS AN END PANEL MUST EXTEND NO LESS THAN 20" FROM THE INTERSECTING WALL ON WHICH HOOD IS MOUNTED AND MUST EXTEND NO LESS THAN 20" UNDER BOTTOM OF HOOD TO BE ELIGIBLE FOR REDUCED MINIMUM EXHAUST CFM LISTING.

PROPOSED HOLIDAY INN LI9383
 215 CRACKER BARREL DR., CLARKSVILLE, TN
 MONTGOMERY COUNTY, TENNESSEE

PERMIT NO: _____
 GE18002

No.	Description	Date

SHEET
M401
 MECHANICAL
 KITCHEN HOOD