



Geary Engineering  
 5502 Walsh Lane Suite 102  
 Rogers, AR. 72758  
 Phone: (479) 464-8006  
 E-mail: tgeary@gearyeng.com  
 Web: www.gearyeng.com

THESE DRAWINGS ARE PRELIMINARY IN NATURE AND INTENDED FOR REVIEW AND PERMITTING. DRAWINGS ARE NOT TO BE USED FOR CONSTRUCTION WITHOUT ARCHITECT'S AND ENGINEER'S SIGNATURE AND THEIR DATE OF ISSUE FOR CONSTRUCTION.



9726 E. 42nd ST. SUITE 153  
 LULSA, OK 74146  
 918.640.6800  
 JHNSANFORD@AOL.COM

Copyright 2019 John Sanford

JOHN SANFORD,  
 AIA, NCARB  
 TN LICENSE #106056

NOT VALID FOR CONSTRUCTION UNLESS SIGNED IN THIS BLOCK

PROPOSED HOLIDAY INN LI9383  
 215 CRACKER BARREL DR., CLARKSVILLE, TN  
 MONTGOMERY COUNTY, TENNESSEE

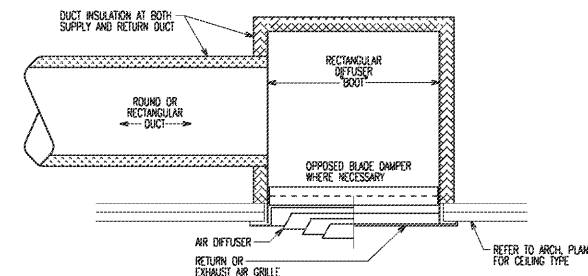
PERMIT NO: \_\_\_\_\_

GE#18002

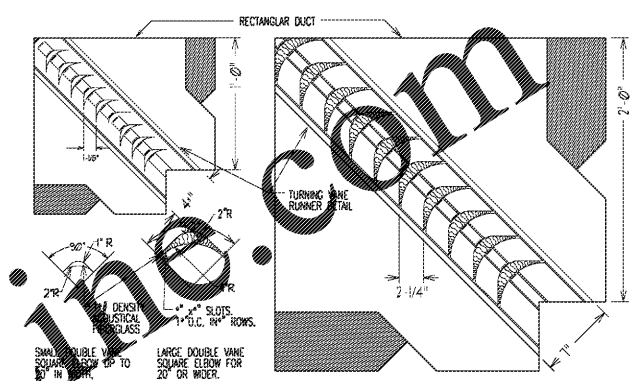
No.	Description	Date

SHEET

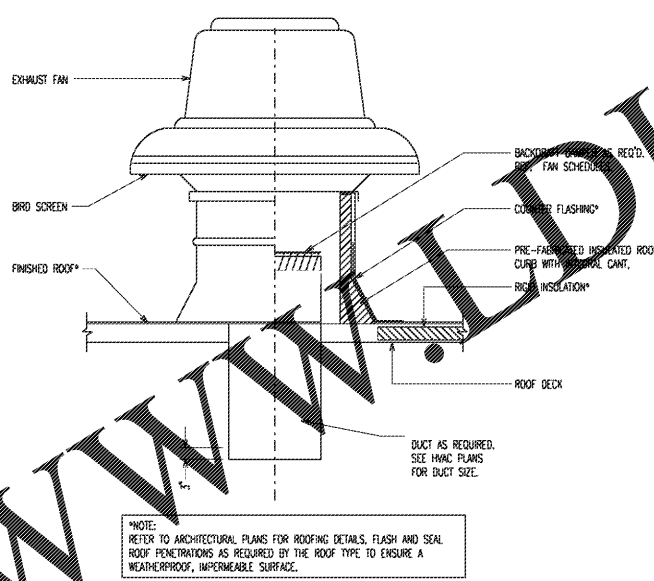
M301  
 MECHANICAL  
 DETAILS



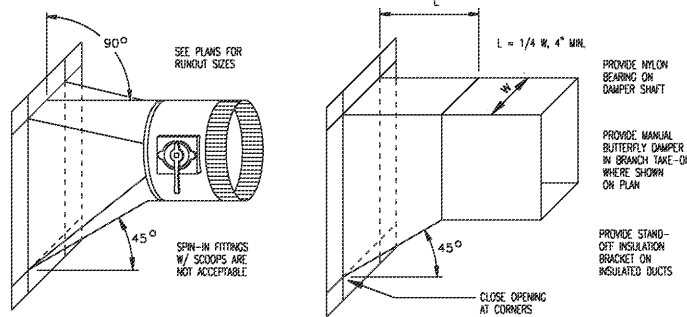
10 Ceiling Diffuser  
 No Scale



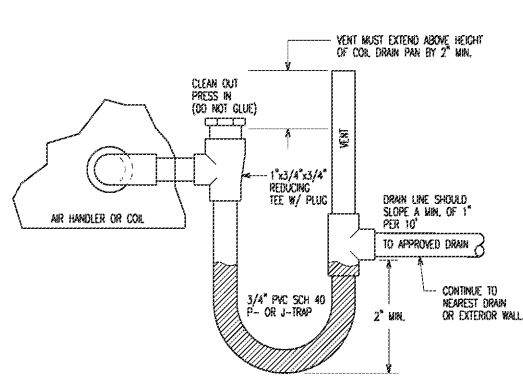
9 Turning Vane Construction Detail  
 No Scale



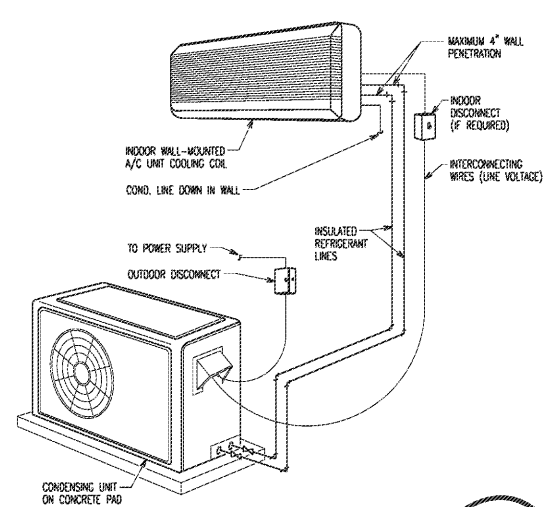
6 Rooftop Exhaust Fan  
 No Scale



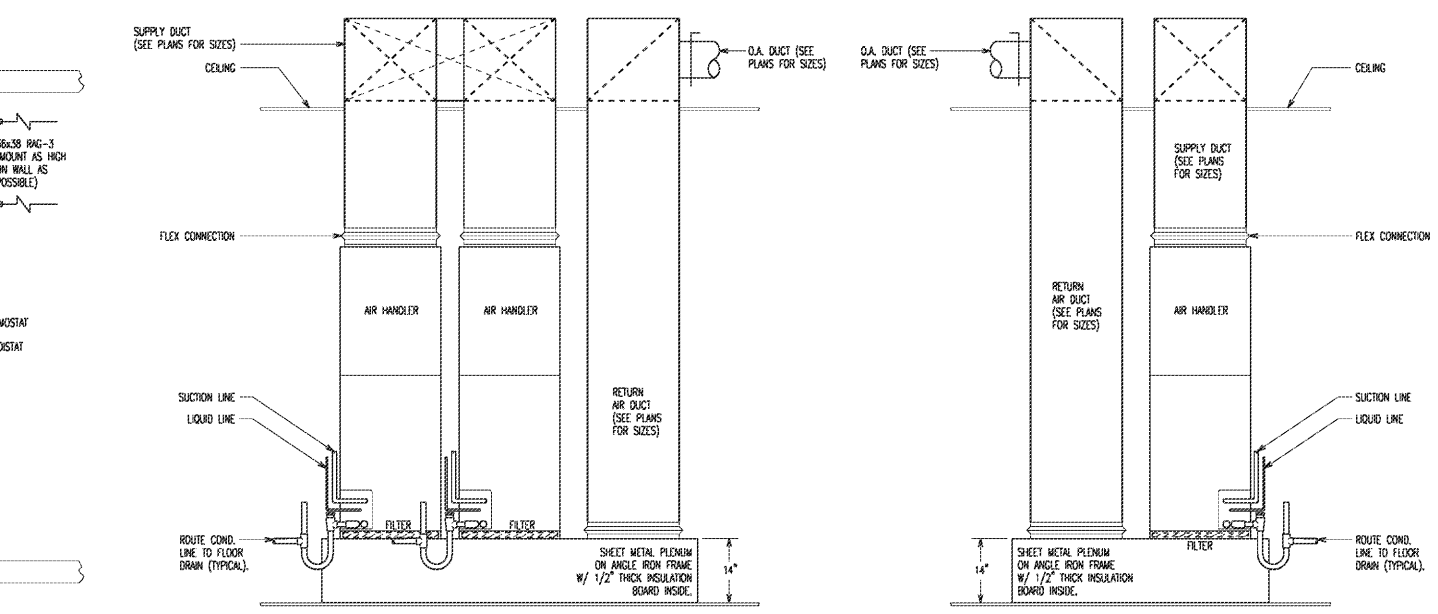
5 Branch Takeoff Detail  
 No Scale



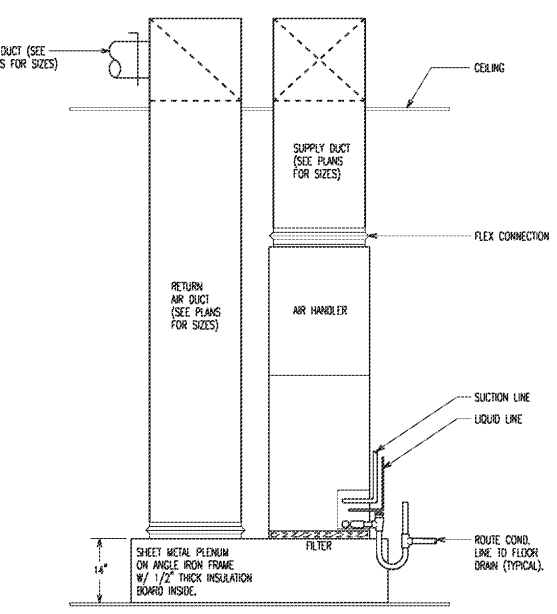
11 P-Trap Detail for Condensate Line  
 No Scale



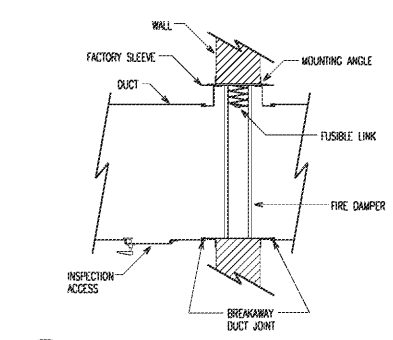
7 Wall Mounted Air Conditioner Detail  
 No Scale



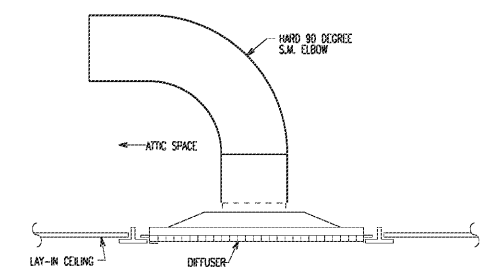
2 Air Handler 8a,b Elevation  
 No Scale (AH-4a,b Similar)



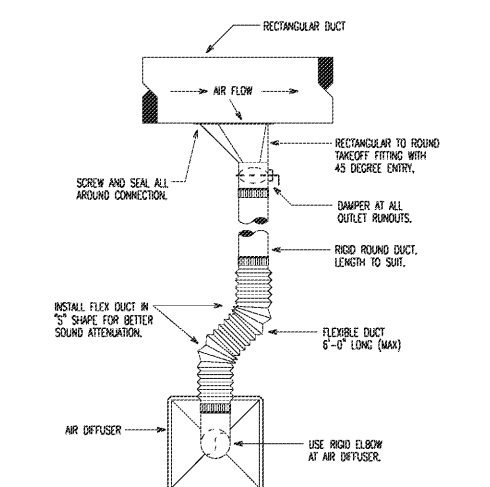
1 Air Handler Elevation  
 No Scale (Typical)



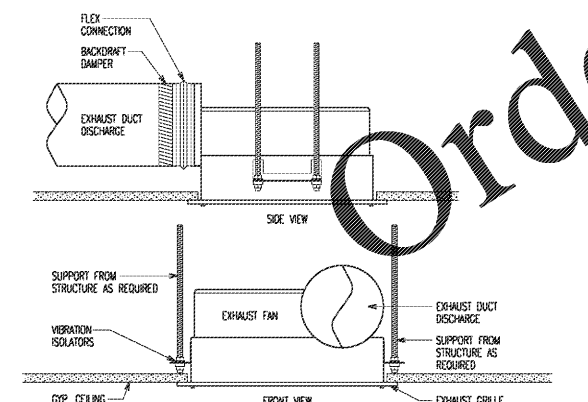
13 Vertical Fire Damper  
 No Scale



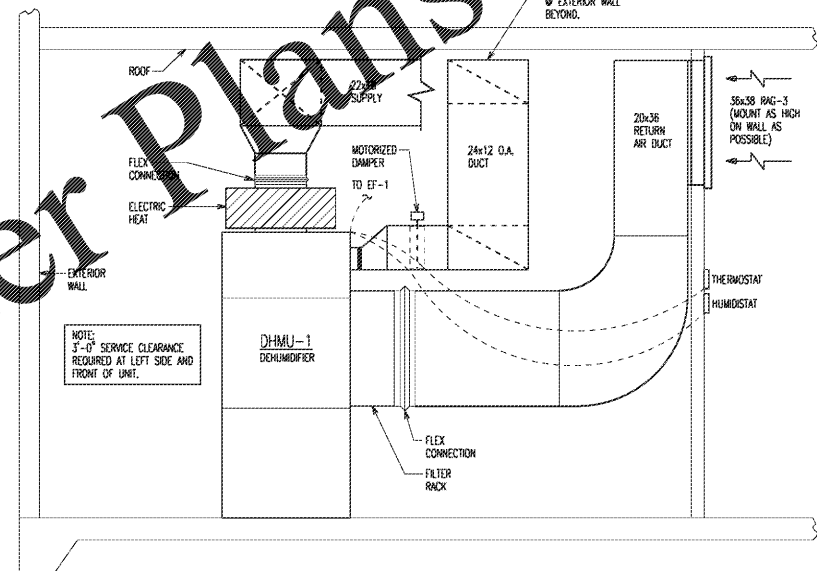
12 Ceiling Diffuser Detail (lay-in)  
 No Scale (Conference Rooms)



8 Low Pressure Duct Runout  
 No Scale



4 Ceiling Mounted Exhaust Fan  
 No Scale (Gypsum Board)



3 Dehumidifier Elevation  
 No Scale

© 2019 JSA ARCHITECTS. ALL RIGHTS RESERVED. THESE DRAWINGS ARE THE PROPERTY OF JSA ARCHITECTS AND ARE NOT TO BE REPRODUCED OR TRANSMITTED IN ANY FORM OR BY ANY MEANS, ELECTRONIC OR MECHANICAL, INCLUDING PHOTOCOPYING, RECORDING, OR BY ANY INFORMATION STORAGE AND RETRIEVAL SYSTEM. WITHOUT THE WRITTEN PERMISSION OF JSA ARCHITECTS, NO PART OF THESE DRAWINGS MAY BE REPRODUCED OR TRANSMITTED IN ANY FORM OR BY ANY MEANS, ELECTRONIC OR MECHANICAL, INCLUDING PHOTOCOPYING, RECORDING, OR BY ANY INFORMATION STORAGE AND RETRIEVAL SYSTEM.