



Geary Engineering
 5502 Walsh Lane Suite 102
 Rogers, AR. 72758
 Phone: (479) 464-8006
 E-mail: tgeary@gearyeng.com
 Web: www.gearyeng.com

THESE DRAWINGS ARE PRELIMINARY IN NATURE AND INTENDED FOR REVIEW AND PERMITTING. DRAWINGS ARE NOT TO BE USED FOR CONSTRUCTION WITHOUT ARCHITECT'S AND ENGINEER'S SIGNATURE AND THEIR DATE OF ISSUE FOR CONSTRUCTION.



9726 E. 42nd St. SUITE 153
 TULSA, OK 74146
 918.640.6800
 JHNSANFORD@AOL.COM

Copyright 2019 John Sanford
 JOHN SANFORD,
 AIA, NCARB
 TN LICENSE #106056

NOT VALID FOR CONSTRUCTION UNLESS SIGNED IN THIS BLOCK

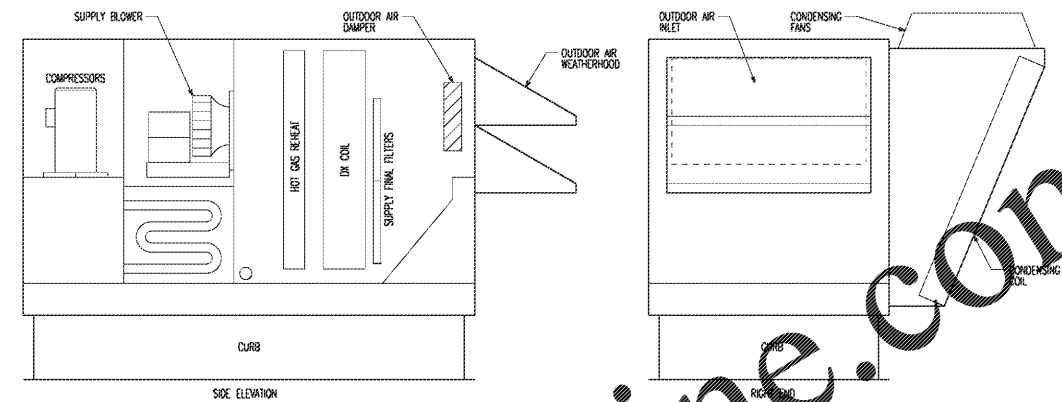
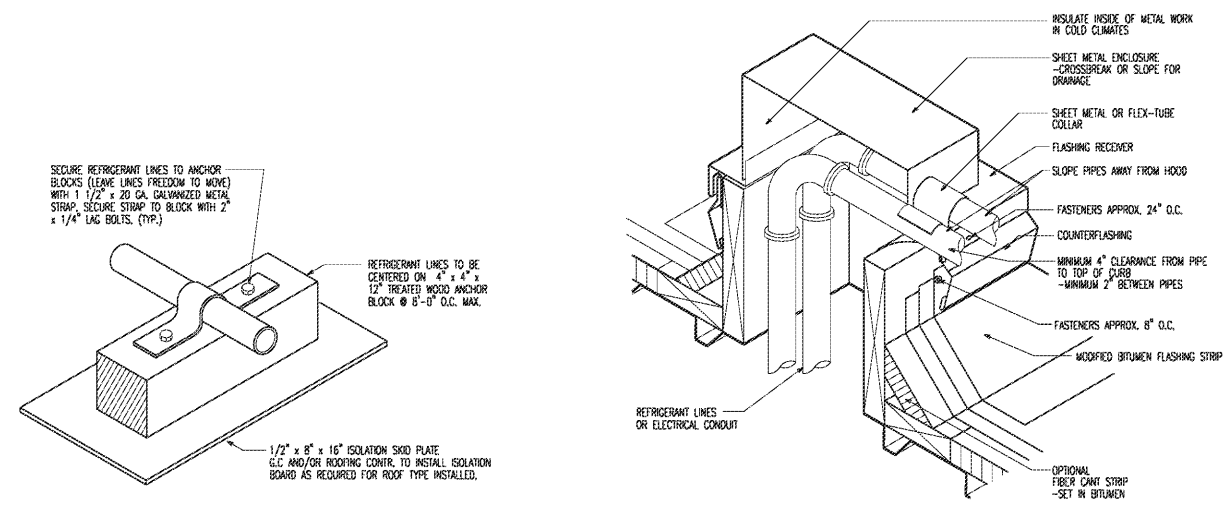
PROPOSED HOLIDAY INN LI9383
 215 CRACKER BARREL DR., CLARKSVILLE, TN
 MONTGOMERY COUNTY, TENNESSEE

PERMIT NO: _____
 GE#18002

No.	Description	Date

SHEET

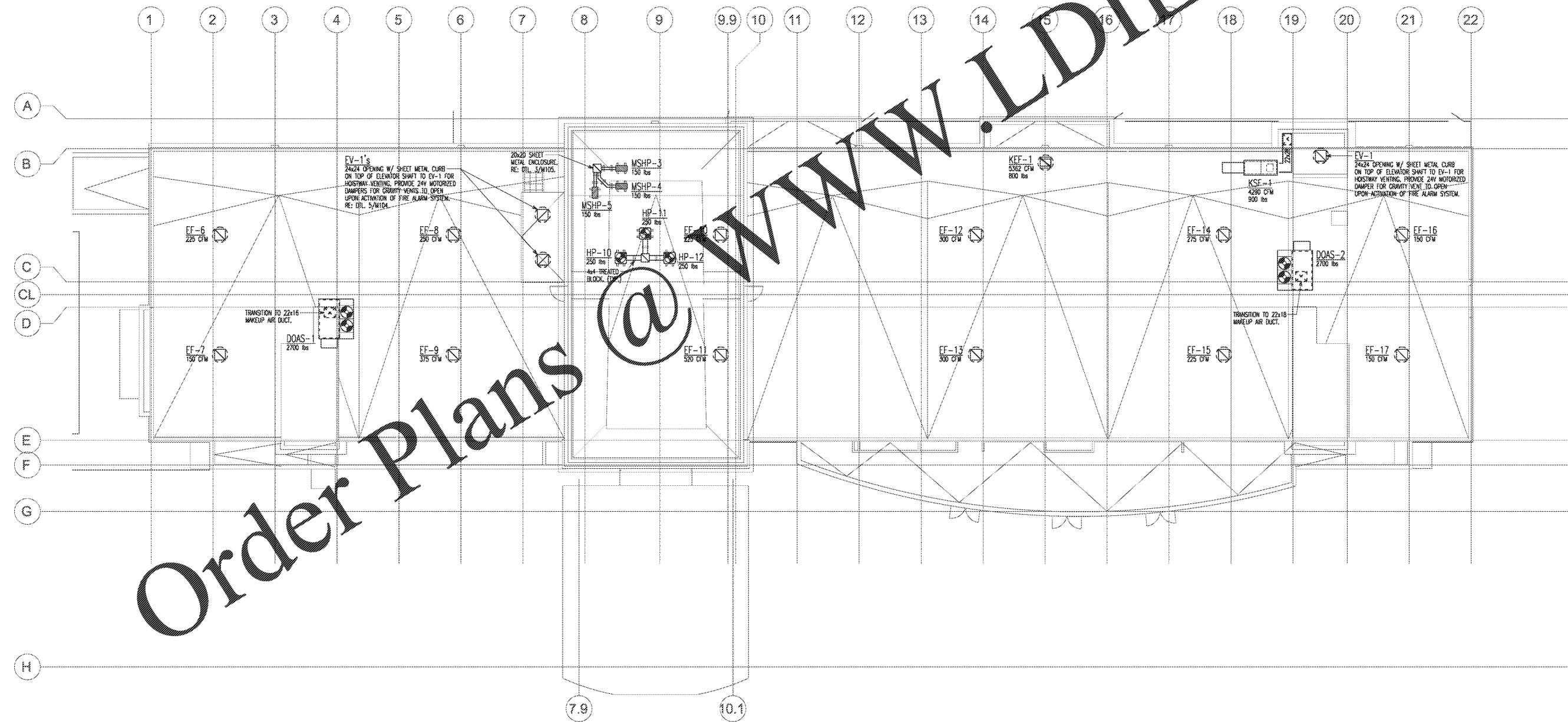
M105
 ROOF PLAN



4 Refrigerant Line Support
 No Scale

3 Roof Penetration Detail
 No Scale

2 100% Outside Air Unit Elevation
 No Scale



1 Mechanical Floor Plan - Roof Plan
 3/32"=1'-0"



© 2019 JOHN SANFORD ARCHITECTS. ALL RIGHTS RESERVED. THIS DRAWING IS THE PROPERTY OF JOHN SANFORD ARCHITECTS. ANY REPRODUCTION, DISTRIBUTION, OR OTHER USE OF THIS DRAWING WITHOUT THE WRITTEN PERMISSION OF JOHN SANFORD ARCHITECTS IS PROHIBITED. ALL THIRD PARTY INFORMATION IS PROVIDED AS IS AND DOES NOT CONSTITUTE A WARRANTY OF ANY KIND.