



Geary Engineering
 5502 Walsh Lane Suite 102
 Rogers, AR. 72758
 Phone: (479) 464-8006
 E-mail: tgeary@gearyeng.com
 Web: www.gearyeng.com

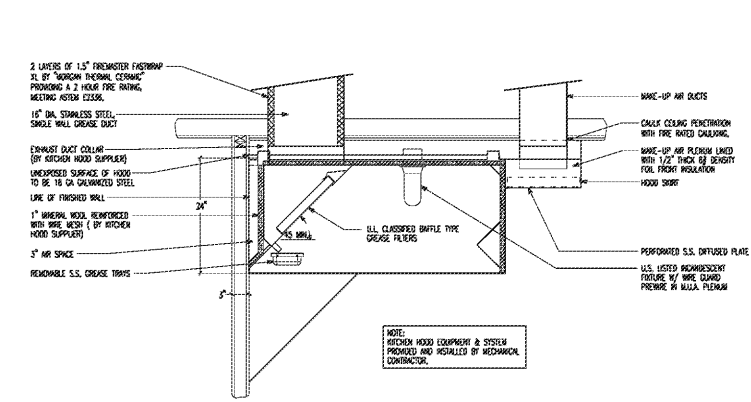
THESE DRAWINGS ARE PRELIMINARY IN NATURE AND INTENDED FOR REVIEW AND PERMITTING. DRAWINGS ARE NOT TO BE USED FOR CONSTRUCTION WITHOUT ARCHITECT'S AND ENGINEER'S SIGNATURE AND THEIR DATE OF ISSUE FOR CONSTRUCTION.



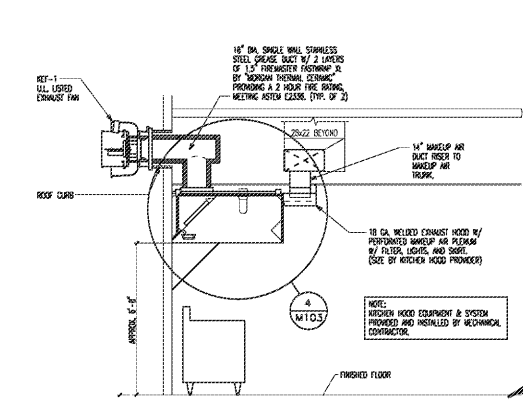
9726 E. 42nd St. SUITE 153
 TULSA, OK 74146
 918.640.6800
 JHNSANFORD@AOL.COM

Copyright 2019 John Sanford
 JOHN SANFORD,
 AIA, NCARB
 TN LICENSE #106056

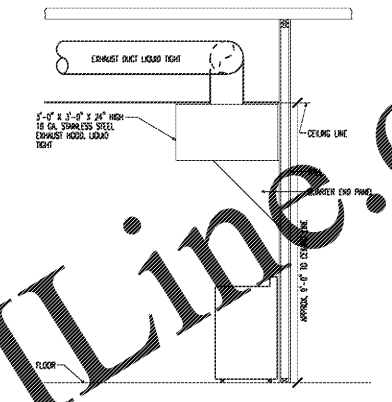
NOT VALID FOR CONSTRUCTION UNLESS SIGNED IN THIS BLOCK



4 Range Hood Section
 No Scale



3 Range Hood Exhaust/Supply
 No Scale



2 Dishwasher Exhaust Hood
 No Scale

