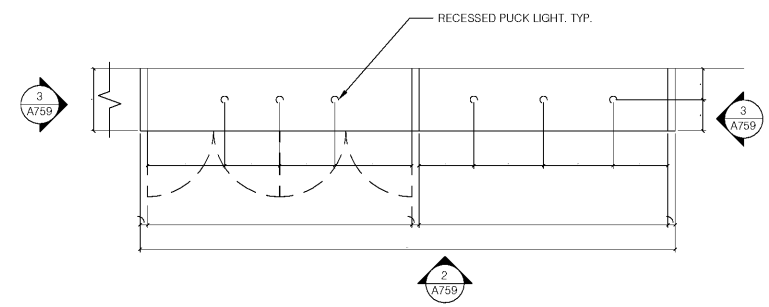
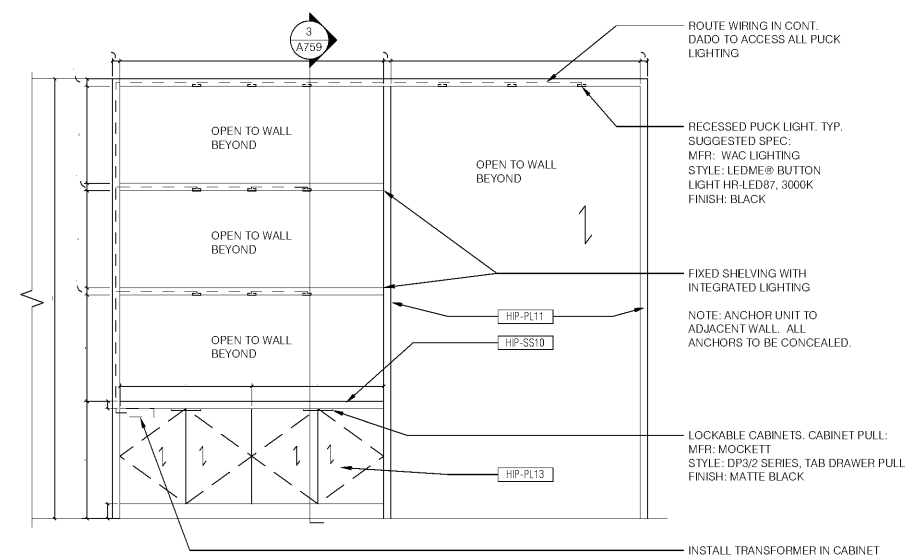


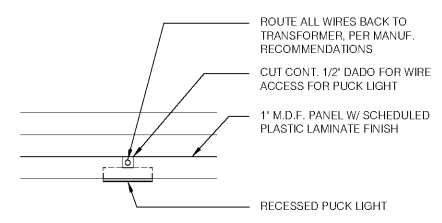
© 2019 JOHN SANFORD ARCHITECTS. ALL RIGHTS RESERVED. THIS DOCUMENT IS THE PROPERTY OF JOHN SANFORD ARCHITECTS. ANY REPRODUCTION, REVISION, OR OTHER USE WITHOUT WRITTEN PERMISSION IS PROHIBITED. ALL DIMENSIONS ARE TO FACE UNLESS NOTED OTHERWISE. ALL DIMENSIONS ARE TO FACE UNLESS NOTED OTHERWISE. ALL DIMENSIONS ARE TO FACE UNLESS NOTED OTHERWISE.



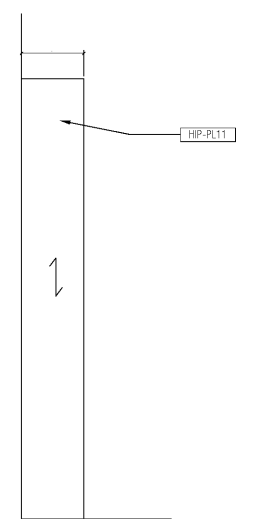
1 PLAN @ HIP-251.1.1 - SHELVING UNIT
1/2" = 1'-0"



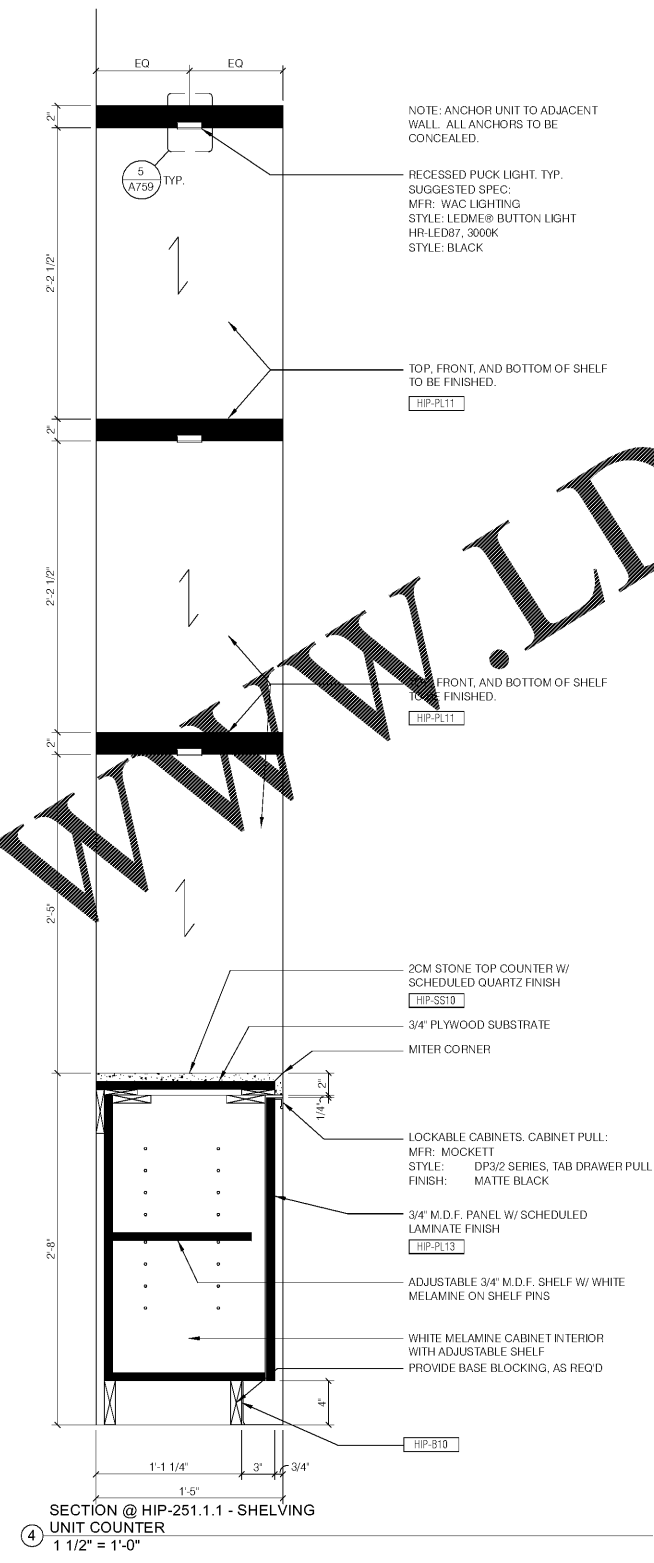
2 FRONT ELEVATION @ HIP-251.1.1 - SHELVING UNIT
1/2" = 1'-0"



5 WIRE ACCESS @ PUCK LIGHTING
3" = 1'-0"



3 SIDE ELEVATION @ HIP-251.1.1 - SHELVING UNIT
1/2" = 1'-0"



4 SECTION @ HIP-251.1.1 - SHELVING UNIT COUNTER
1 1/2" = 1'-0"

WWW.LDILine.com

Order Plans @

THESE DRAWINGS ARE PRELIMINARY IN NATURE AND INTENDED FOR REVIEW AND PERMITTING. DRAWINGS ARE NOT TO BE USED FOR CONSTRUCTION WITHOUT ARCHITECT'S AND ENGINEER'S SIGNATURE AND THEIR DATE OF ISSUE FOR CONSTRUCTION.

RECORD

JSA
ARCHITECTS

9726 E. 42nd St. SUITE 153
TULSA, OK 74146
918.640.6800
JHNSANFORD@AOL.COM

Copyright 2019 John Sanford

JOHN SANFORD,
AIA, NCARB
TN LICENSE #106056

4/4/2019
2:06:21 PM



John Sanford

NOT VALID FOR CONSTRUCTION UNLESS SIGNED IN THIS BLOCK

PROPOSED HOLIDAY INN LI 9383
215 CRACKER BARREL DR., CLARKSVILLE
MONTGOMERY COUNTY, TENNESSEE

PERMIT NO:
4/4/2019
2:06:21 PM

No.	Description	Date

SHEET

A759
MILLWORK - ARRIVAL
BACK WALL