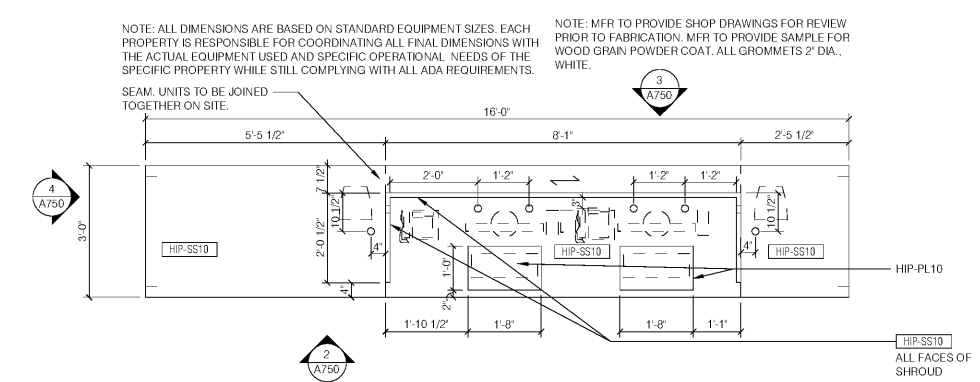
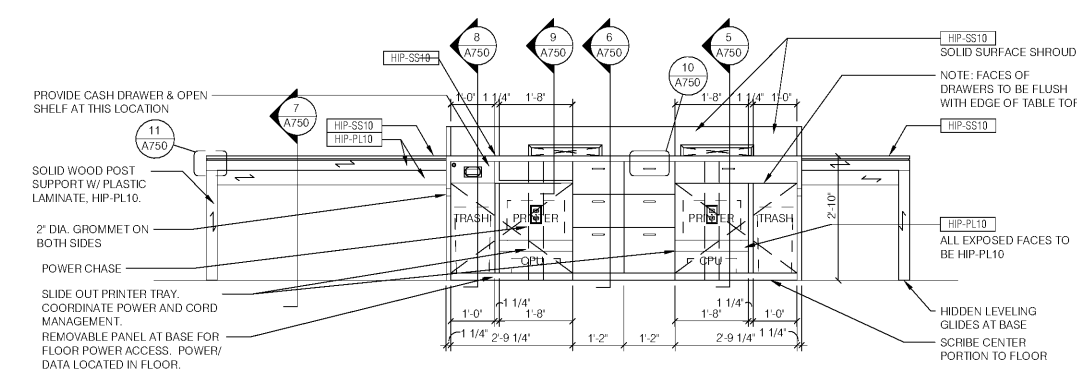


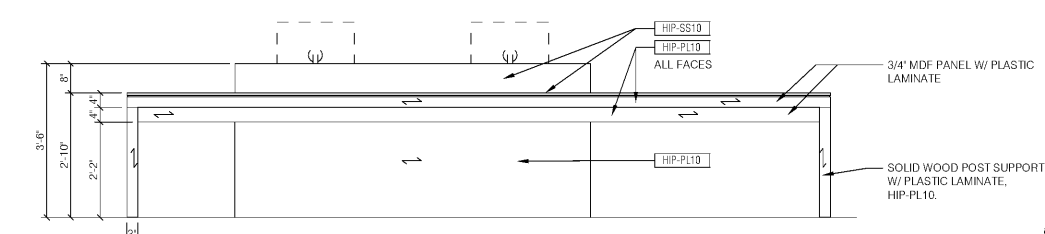
© 2019 JOHN SANFORD ARCHITECTS. ALL RIGHTS RESERVED. REPRODUCTION OR DISTRIBUTION OF THESE DRAWINGS WITHOUT WRITTEN PERMISSION IS PROHIBITED. ALL DIMENSIONS ARE BASED ON STANDARD EQUIPMENT SIZES. EACH PROPERTY IS RESPONSIBLE FOR COORDINATING ALL FINAL DIMENSIONS WITH THE ACTUAL EQUIPMENT USED AND SPECIFIC OPERATIONAL NEEDS OF THE SPECIFIC PROPERTY WHILE STILL COMPLYING WITH ALL ADA REQUIREMENTS. SEAM UNITS TO BE JOINED TOGETHER ON SITE.



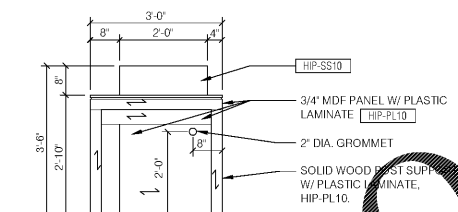
1 PLAN @ HIP-213.1.1 - CHECK-IN DESK
1/2" = 1'-0"



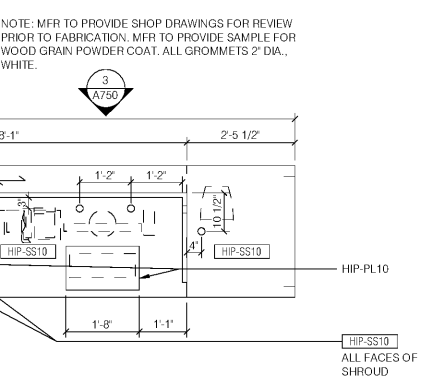
2 BACK ELEVATION @ HIP-213.1.1 - CHECK-IN DESK
1/2" = 1'-0"



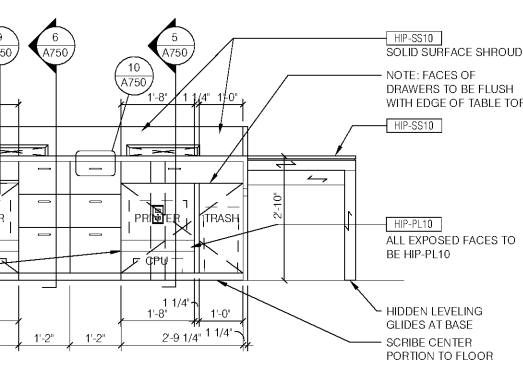
3 FRONT ELEVATION @ HIP-213.1.1 - CHECK-IN DESK
1/2" = 1'-0"



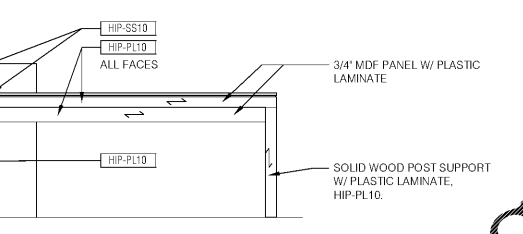
4 FRONT ELEVATION @ HIP-213.1.1 - CHECK-IN DESK
1/2" = 1'-0"



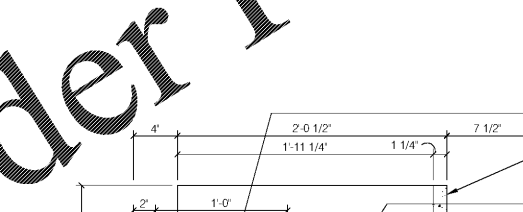
5 SECTION @ HIP-213.1.1 - CHECK-IN DESK
1/2" = 1'-0"



6 SECTION @ DRAWER/SHELF
1 1/2" = 1'-0"



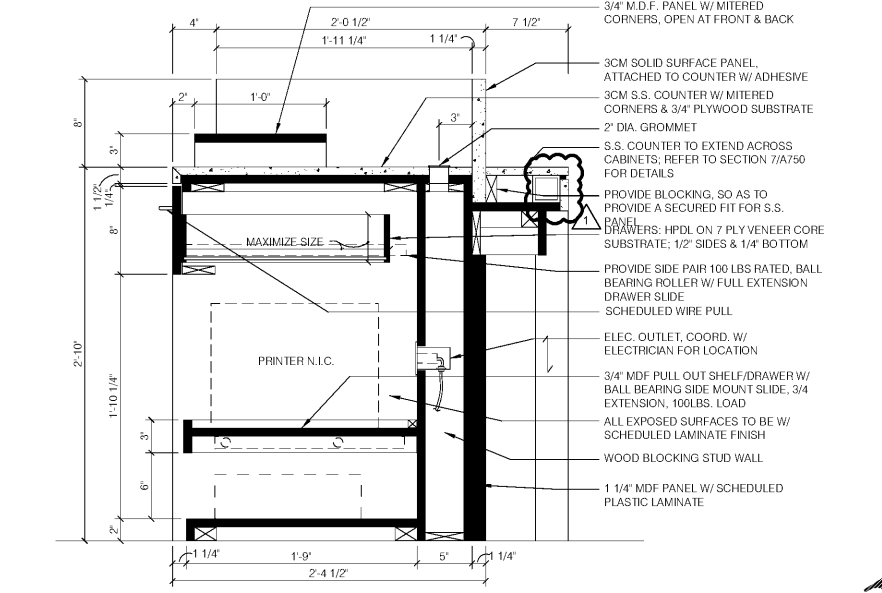
7 SECTION @ COUNTER
1 1/2" = 1'-0"



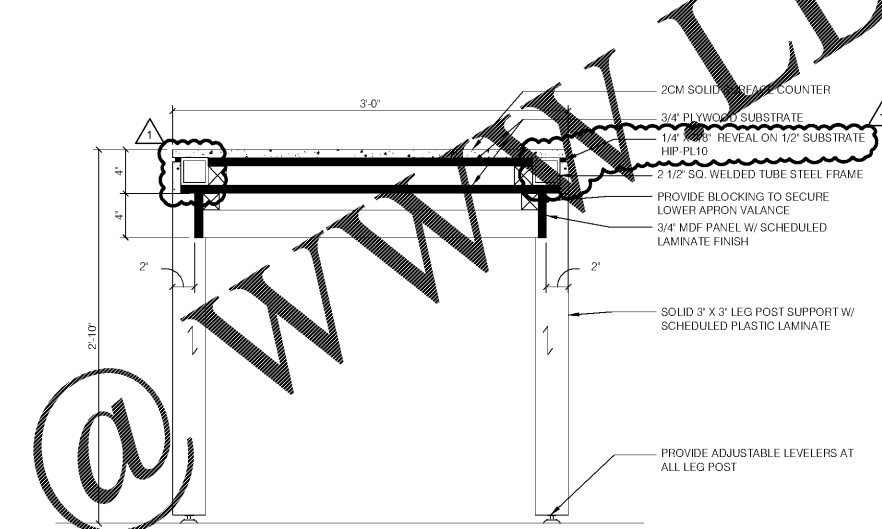
8 SECTION @ DRAWER/TRASH
1 1/2" = 1'-0"



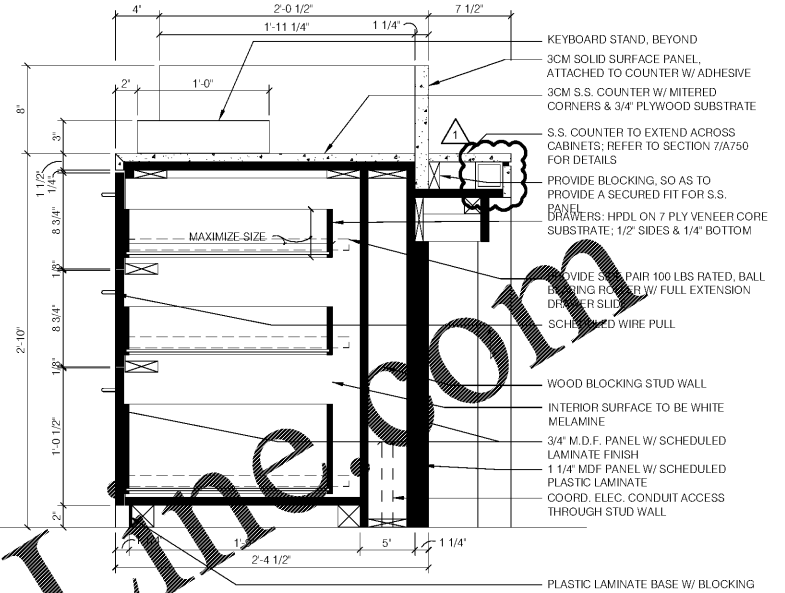
9 SECTION @ FIXED SHELF
1 1/2" = 1'-0"



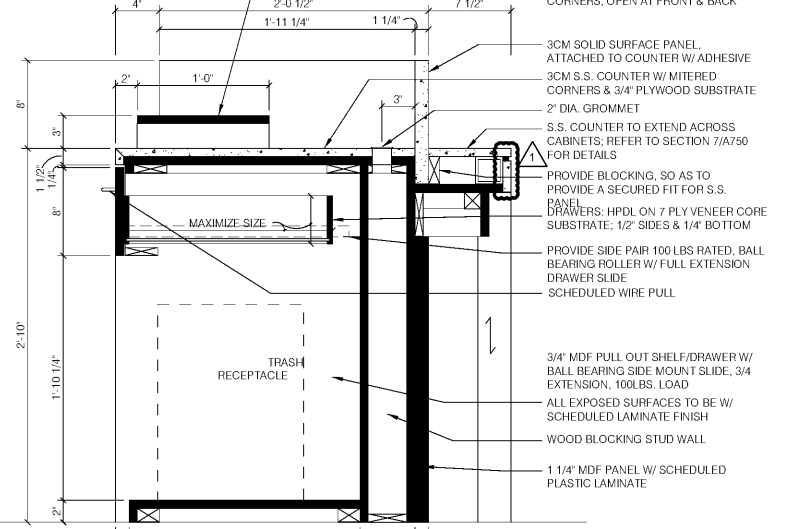
10 DETAIL @ HARDWARE PULL
3" = 1'-0"



11 DETAIL @ EDGE OF COUNTER
3" = 1'-0"



SECTION @ DRAWERS
1 1/2" = 1'-0"



SECTION @ DRAWER/TRASH
1 1/2" = 1'-0"

Order Plans @ WWW.LDLINE.COM

NOTE: ALL DIMENSIONS ARE BASED ON STANDARD EQUIPMENT SIZES. EACH PROPERTY IS RESPONSIBLE FOR COORDINATING ALL FINAL DIMENSIONS WITH THE ACTUAL EQUIPMENT USED AND SPECIFIC OPERATIONAL NEEDS OF THE SPECIFIC PROPERTY WHILE STILL COMPLYING WITH ALL ADA REQUIREMENTS. SEAM UNITS TO BE JOINED TOGETHER ON SITE.

NOTE: MFR TO PROVIDE SHOP DRAWINGS FOR REVIEW PRIOR TO FABRICATION. MFR TO PROVIDE SAMPLE FOR WOOD GRAIN POWDER COAT. ALL GROMMETS 2" DIA., WHITE.

3/4" M.D.F. PANEL W/ MITERED CORNERS, OPEN AT FRONT & BACK
3CM SOLID SURFACE PANEL, ATTACHED TO COUNTER W/ ADHESIVE
3CM S.S. COUNTER W/ MITERED CORNERS & 3/4" PLYWOOD SUBSTRATE
2" DIA. GROMMET
S.S. COUNTER TO EXTEND ACROSS CABINETS, REFER TO SECTION 7/A750 FOR DETAILS
PROVIDE BLOCKING, SO AS TO PROVIDE A SECURED FIT FOR S.S. PANEL
DRAWERS: HPDL ON 7 PLY VENEER CORE SUBSTRATE, 1/2" SIDES & 1/4" BOTTOM
PROVIDE SIDE PAIR 100 LBS RATED, BALL BEARING ROLLER W/ FULL EXTENSION DRAWER SLIDE
SCHEDULED WIRE PULL
ELEC. OUTLET, COORD. W/ ELECTRICIAN FOR LOCATION
3/4" MDF PULL OUT SHELF/DRAWER W/ BALL BEARING SIDE MOUNT SLIDE, 3/4" EXTENSION, 100LBS. LOAD
ALL EXPOSED SURFACES TO BE W/ SCHEDULED LAMINATE FINISH
WOOD BLOCKING STUD WALL
1 1/4" MDF PANEL W/ SCHEDULED PLASTIC LAMINATE

KEYBOARD STAND, BEYOND
3CM SOLID SURFACE PANEL, ATTACHED TO COUNTER W/ ADHESIVE
3CM S.S. COUNTER W/ MITERED CORNERS & 3/4" PLYWOOD SUBSTRATE
S.S. COUNTER TO EXTEND ACROSS CABINETS, REFER TO SECTION 7/A750 FOR DETAILS
PROVIDE BLOCKING, SO AS TO PROVIDE A SECURED FIT FOR S.S. PANEL
DRAWERS: HPDL ON 7 PLY VENEER CORE SUBSTRATE, 1/2" SIDES & 1/4" BOTTOM
PROVIDE SIDE PAIR 100 LBS RATED, BALL BEARING ROLLER W/ FULL EXTENSION DRAWER SLIDE
SCHEDULED WIRE PULL
WOOD BLOCKING STUD WALL
INTERIOR SURFACE TO BE WHITE MELAMINE
3/4" M.D.F. PANEL W/ SCHEDULED LAMINATE FINISH
1 1/4" MDF PANEL W/ SCHEDULED PLASTIC LAMINATE
COORD. ELEC. CONDUIT ACCESS THROUGH STUD WALL
PLASTIC LAMINATE BASE W/ BLOCKING

2CM SOLID SURFACE COUNTER
3/4" PLYWOOD SUBSTRATE
1/4" REVEAL ON 1/2" SUBSTRATE
HIP-PL10
2 1/2" SQ. WELDED TUBE STEEL FRAME
PROVIDE BLOCKING TO SECURE LOWER APRON VALANCE
3/4" MDF PANEL W/ SCHEDULED LAMINATE FINISH
SOLID 3" X 3" LEG POST SUPPORT W/ SCHEDULED PLASTIC LAMINATE
PROVIDE ADJUSTABLE LEVELERS AT ALL LEG POST

3/4" M.D.F. PANEL W/ MITERED CORNERS, OPEN AT FRONT & BACK
3CM SOLID SURFACE PANEL, ATTACHED TO COUNTER W/ ADHESIVE
3CM S.S. COUNTER W/ MITERED CORNERS & 3/4" PLYWOOD SUBSTRATE
2" DIA. GROMMET
S.S. COUNTER TO EXTEND ACROSS CABINETS, REFER TO SECTION 7/A750 FOR DETAILS
PROVIDE BLOCKING, SO AS TO PROVIDE A SECURED FIT FOR S.S. PANEL
DRAWERS: HPDL ON 7 PLY VENEER CORE SUBSTRATE, 1/2" SIDES & 1/4" BOTTOM
PROVIDE SIDE PAIR 100 LBS RATED, BALL BEARING ROLLER W/ FULL EXTENSION DRAWER SLIDE
SCHEDULED WIRE PULL
3/4" MDF PULL OUT SHELF/DRAWER W/ BALL BEARING SIDE MOUNT SLIDE, 3/4" EXTENSION, 100LBS. LOAD
ALL EXPOSED SURFACES TO BE W/ SCHEDULED LAMINATE FINISH
WOOD BLOCKING STUD WALL
1 1/4" MDF PANEL W/ SCHEDULED PLASTIC LAMINATE

1 1/2" COUNTER TOP
MATCH REVEAL TO SCHEDULED LAMINATE ON DOOR CABINET
SCHEDULED HARDWARE PULL (CENTERED ON DRAWER)
EQUALLY

2CM COUNTER TOP
MATCH REVEAL TO SCHEDULED FINISH, HIP-PL10
HIP-PL10

THESE DRAWINGS ARE PRELIMINARY IN NATURE AND INTENDED FOR REVIEW AND PERMITTING. DRAWINGS ARE NOT TO BE USED FOR CONSTRUCTION WITHOUT ARCHITECT'S AND ENGINEER'S SIGNATURE AND THEIR DATE OF ISSUE FOR CONSTRUCTION.

JSA ARCHITECTS
 9726 E. 42nd St. SUITE 153
 TULSA, OK 74146
 918.640.6800
 JHNSANFORD@AOL.COM
 Copyright 2019 John Sanford
 JOHN SANFORD,
 AIA, NCARB
 TN LICENSE #106056
 4/4/2019
 2:05:58 PM

 John Sanford
 NOT VALID FOR CONSTRUCTION UNLESS SIGNED IN THIS BLOCK

PROPOSED HOLIDAY INN LI 9383
 215 CRACKER BARREL DR., CLARKSVILLE
 MONTGOMERY COUNTY, TENNESSEE
 PERMIT NO:
 4/4/2019
 2:05:58 PM

No.	Description	Date

SHEET
A750
 MILLWORK - FRONT
 DESK