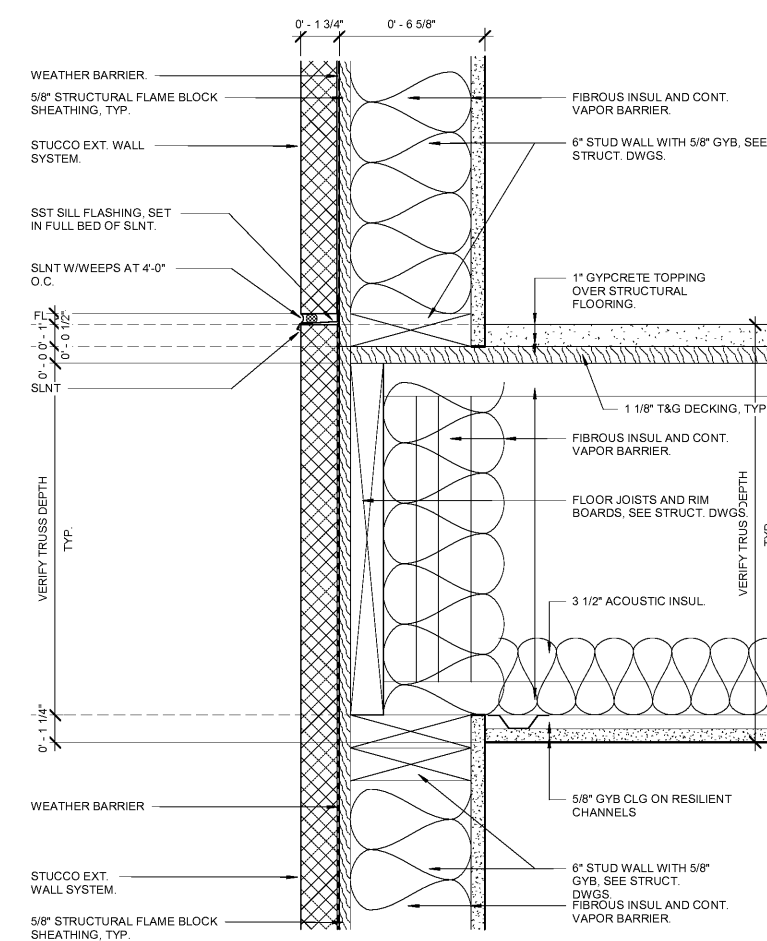
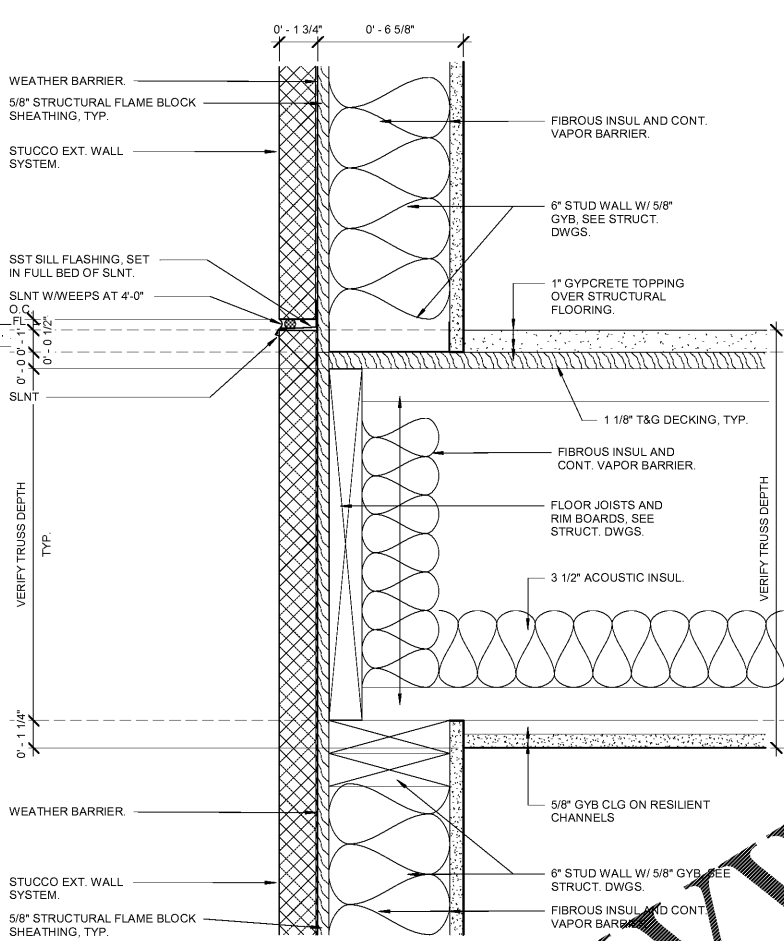


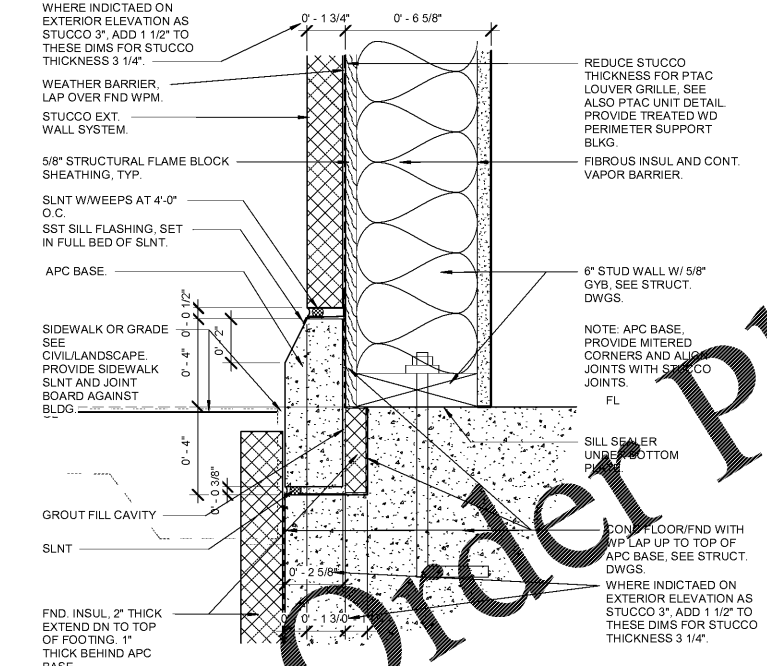
© 2019 JOHN SANFORD ARCHITECTS. ALL RIGHTS RESERVED. REPRODUCTION, DISTRIBUTION, OR OTHER USES WITHOUT WRITTEN PERMISSION IS PROHIBITED. ALL DIMENSIONS ARE TO CENTERLINE UNLESS NOTED OTHERWISE.



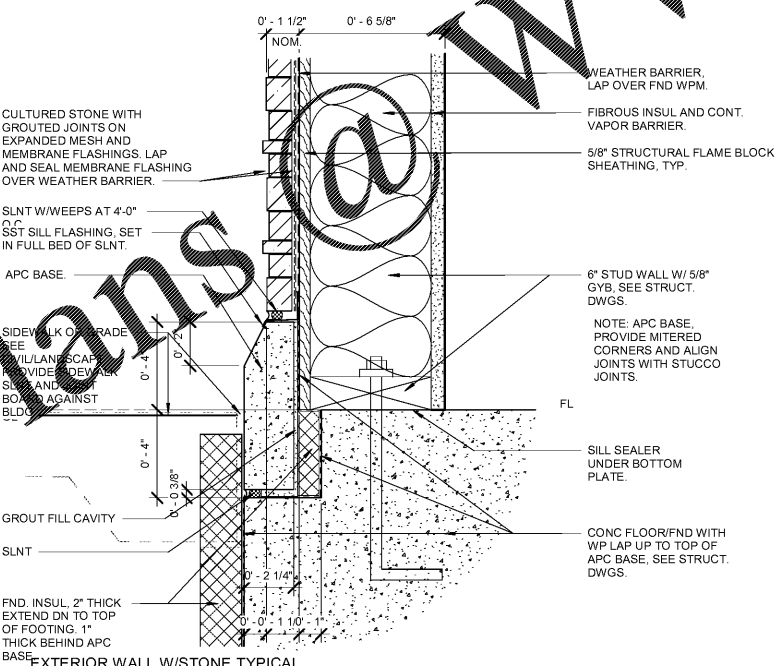
1 EXTERIOR WALL/FLOOR TYPICAL LOAD BEARING1
3" = 1'-0"



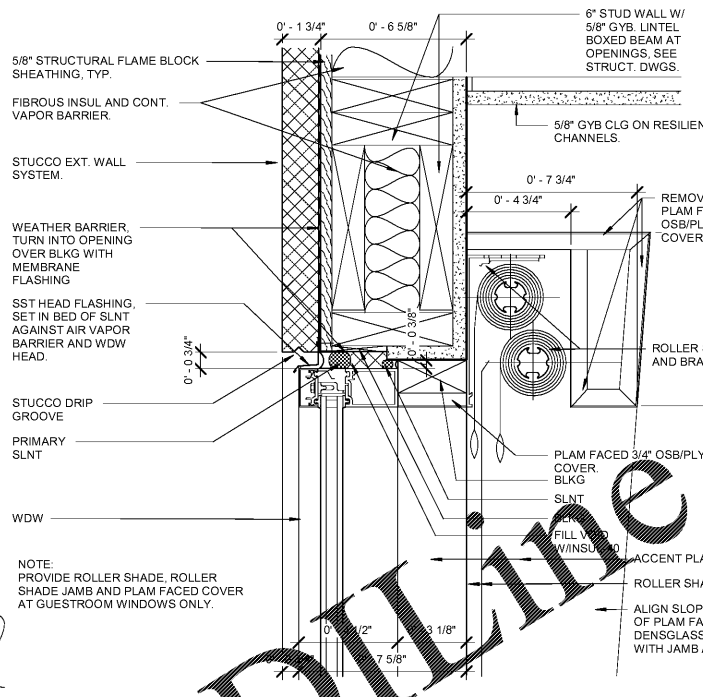
2 EXTERIOR WALL/FLOOR TYPICAL NON-LOAD BEARING1
3" = 1'-0"



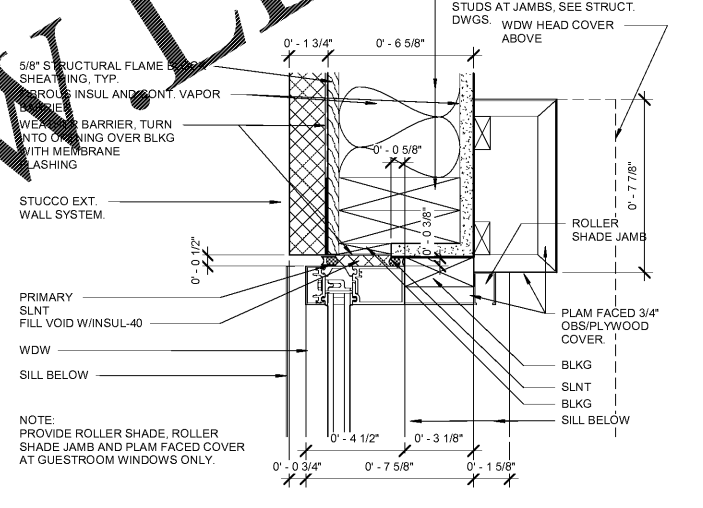
3 EXTERIOR WALL TYPICAL BASE1
3" = 1'-0"



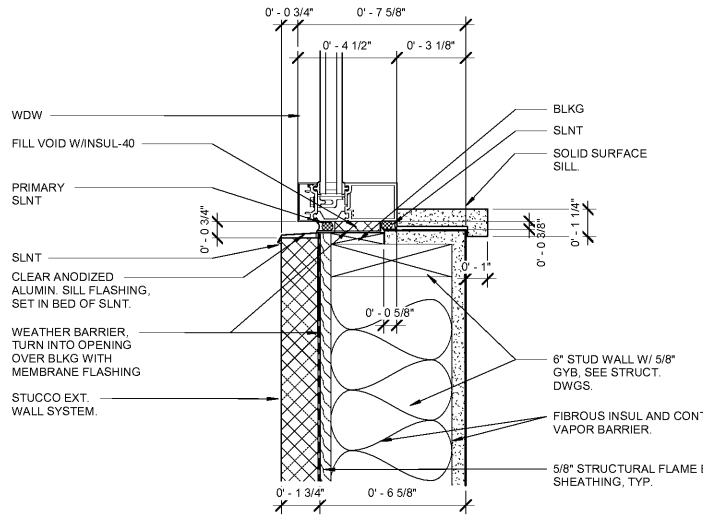
4 EXTERIOR WALL W/STONE TYPICAL BASE1
3" = 1'-0"



5 EXTERIOR WINDOW TYPICAL HEAD1
3" = 1'-0"

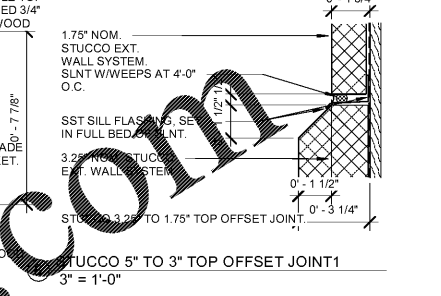


6 EXTERIOR WINDOW TYPICAL JAMB1
3" = 1'-0"

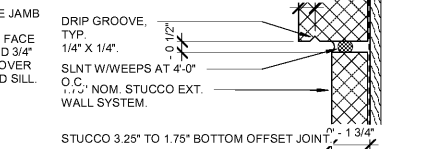


7 EXTERIOR WINDOW TYPICAL SILL1
3" = 1'-0"

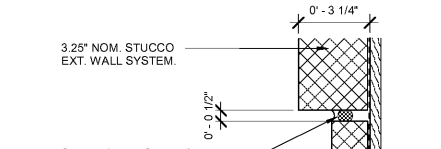
CONSTRUCTION NOTE:
STUCCO THICKNESS IS TYPICALLY 1 3/4\"/>



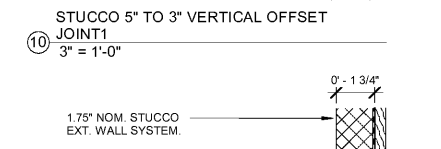
8 STUCCO 5\"/>



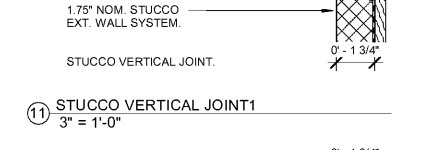
9 STUCCO 5\"/>



10 STUCCO 5\"/>



11 STUCCO VERTICAL JOINT1
3" = 1'-0"



12 STUCCO VERTICAL-HORIZONTAL REVEAL1
3" = 1'-0"

THESE DRAWINGS ARE PRELIMINARY IN NATURE AND INTENDED FOR REVIEW AND PERMITTING. DRAWINGS ARE NOT TO BE USED FOR CONSTRUCTION WITHOUT ARCHITECT'S AND ENGINEER'S SIGNATURE AND THEIR DATE OF ISSUE FOR CONSTRUCTION.

RECORD

JSA ARCHITECTS
 9726 E. 42nd St. SUITE 153
 TULSA, OK 74146
 918.640.6800
 JHNSANFORD@AOL.COM

Copyright 2019 John Sanford
JOHN SANFORD, AIA, NCARB
 TN LICENSE #106056

4/4/2019 2:05:12 PM

NOT VALID FOR CONSTRUCTION UNLESS SIGNED IN THIS BLOCK

PROPOSED HOLIDAY INN LI 9383
 215 CRACKER BARREL DR., CLARKSVILLE
 MONTGOMERY COUNTY, TENNESSEE

PERMIT NO:

4/4/2019 2:05:12 PM

No.	Description	Date

SHEET

A700
 CONSTRUCTION
 DETAILS