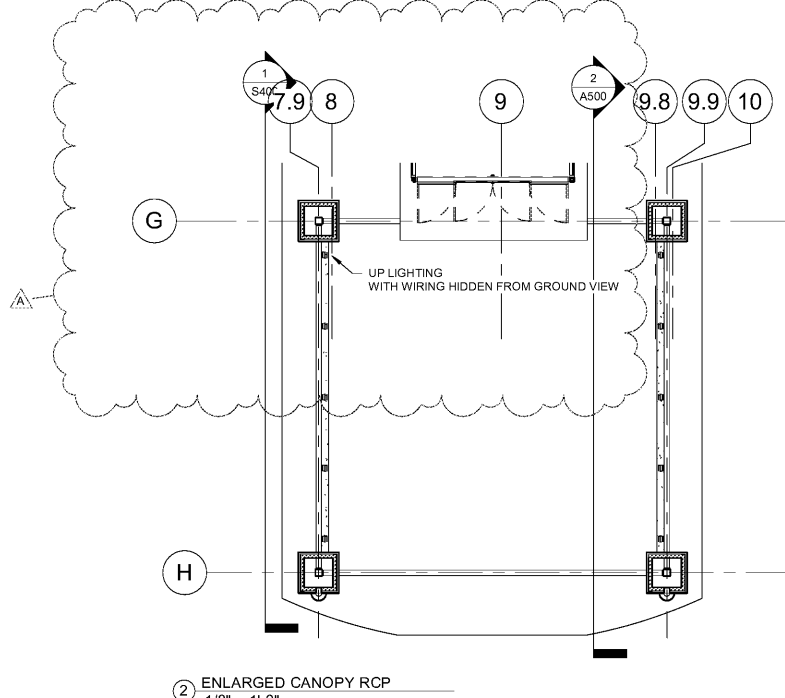
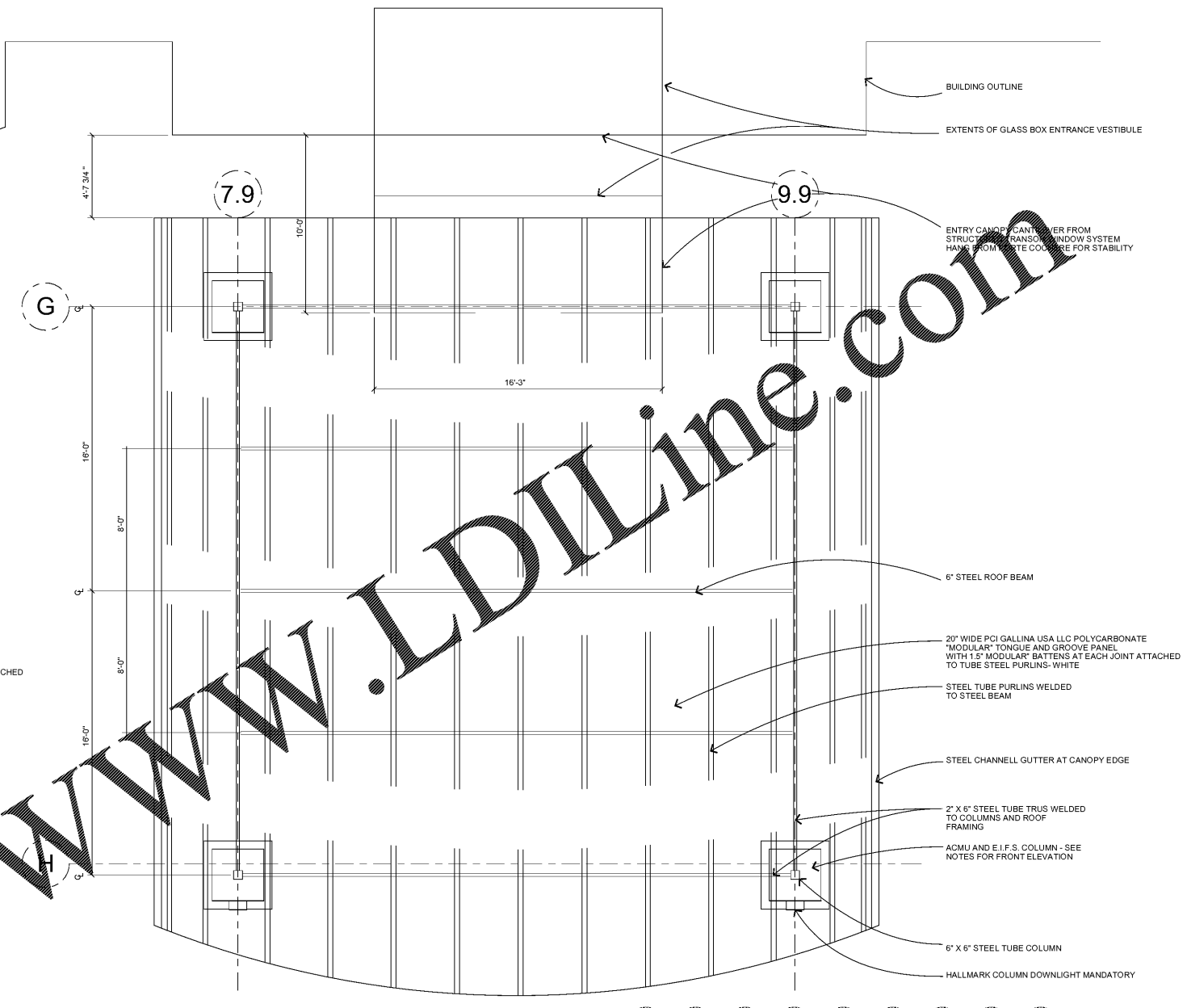
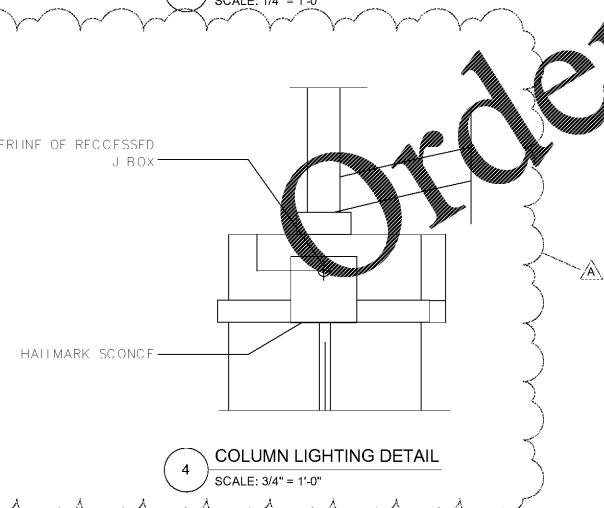
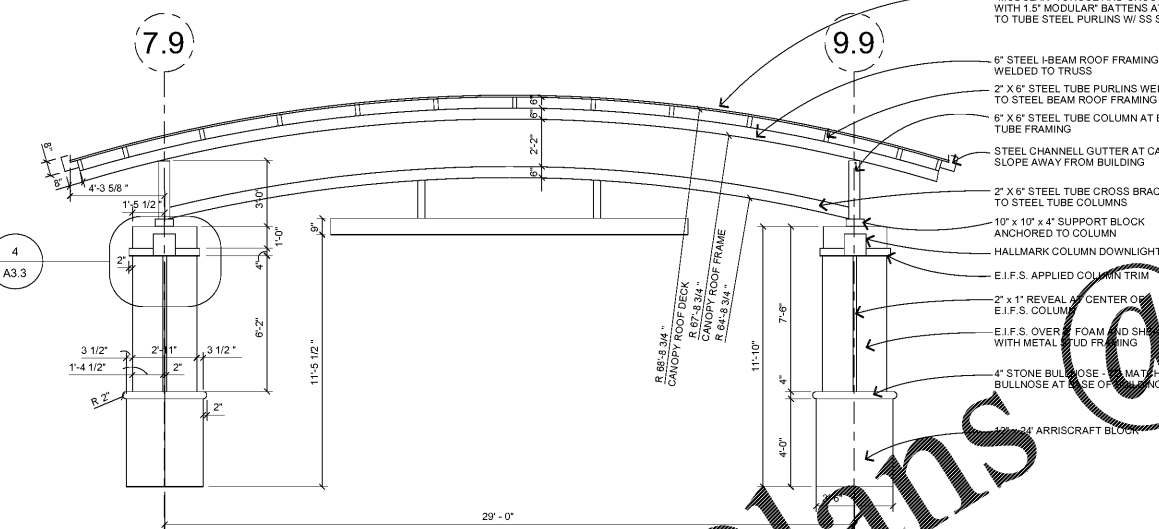
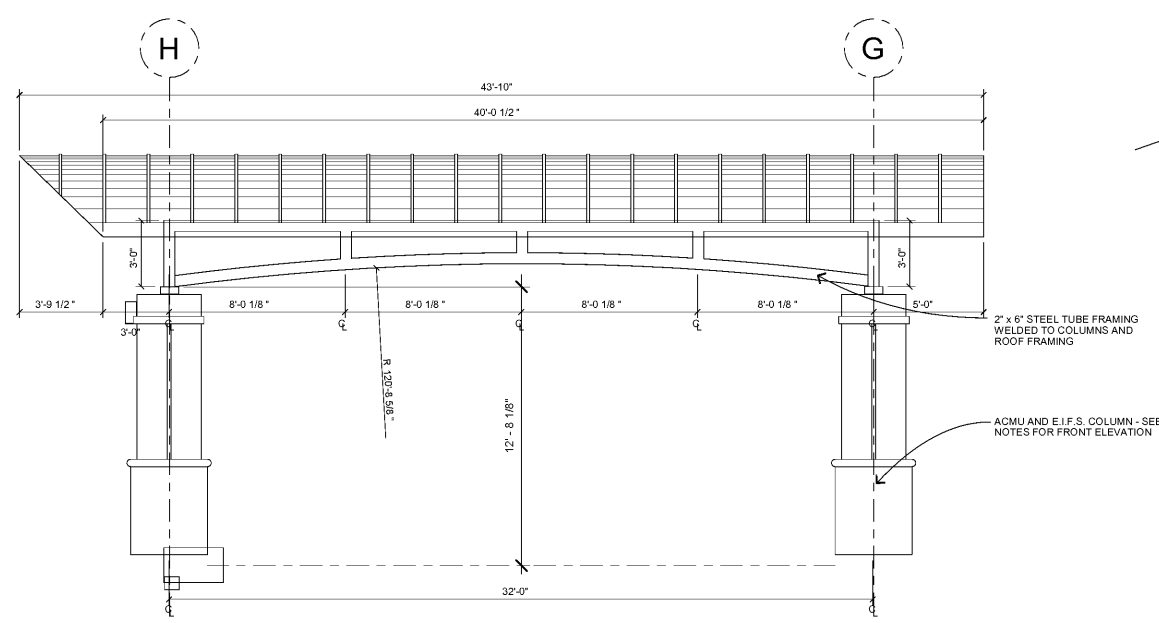


© 2019 JOHN SANFORD ARCHITECTS. ALL RIGHTS RESERVED. REPRODUCTION OR DISTRIBUTION OF THESE DRAWINGS WITHOUT WRITTEN PERMISSION IS PROHIBITED. ALL INFORMATION IS SUBJECT TO CHANGE WITHOUT NOTICE.



THESE DRAWINGS ARE PRELIMINARY IN NATURE AND INTENDED FOR REVIEW AND PERMITTING. DRAWINGS ARE NOT TO BE USED FOR CONSTRUCTION WITHOUT ARCHITECTS AND ENGINEER'S SIGNATURE AND THEIR DATE OF ISSUE FOR CONSTRUCTION.

RECORD

JSA ARCHITECTS
 9726 E. 42nd St. SUITE 153
 TULSA, OK 74146
 918.640.6800
 JHNSANFORD@AOL.COM

Copyright 2019 John Sanford
 JOHN SANFORD, AIA, NCARB
 TN LICENSE #106056

4/4/2019 1:57:11 PM

NOT VALID FOR CONSTRUCTION UNLESS SIGNED IN THIS BLOCK

PROPOSED HOLIDAY INN LI 9383
 215 CRACKER BARREL DR., CLARKSVILLE
 MONTGOMERY COUNTY, TENNESSEE

PERMIT NO: _____
 4/4/2019 1:57:11 PM

No.	Description	Date
A	IHG Review	2.20.19

SHEET
A100.4
 CANOPY DETAIL