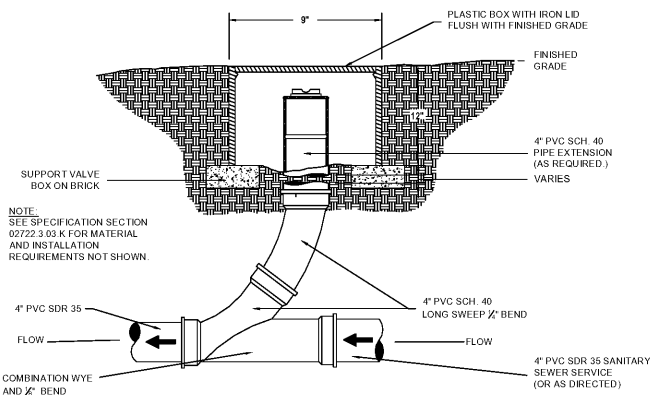


FITTING	T				L				W				D (MIN)			
	6"-8"	12"	18"	24"	6"-8"	12"	18"	24"	6"-8"	12"	18"	24"	6"-8"	12"	18"	24"
90°	9"	1'-0"	1'-8"	2'	2'-0"	3'-6"	7'-0"	12'	3'-0"	3'-0"	3'-6"	4'-6"	1'-6"	1'-8"	2'-0"	5'
45°	7"	11"	1'-0"	1'-6"	2'-0"	2'-0"	4'-6"	7'	3'-0"	3'-0"	3'-0"	4'-3"	1'-6"	1'-6"	1'-6"	2'-9"
22 1/2°	6"	8"	9"	1'	2'-0"	2'-0"	2'-6"	5'	3'-0"	3'-0"	3'-0"	3'	1'-0"	1'-0"	1'-0"	2'
11 1/4°	5"	6"	6"	9"	2'-0"	2'-0"	2'-0"	2'	3'-0"	3'-0"	3'-0"	2'-6"	1'-0"	1'-0"	1'-0"	1'-6"
PLUG/TEE	1'-0"	1'-6"	2'-0"	2'	1'-6"	2'-9"	4'-0"	7'	1'-6"	2'-9"	4'-0"	5'-6"	1'-6"	1'-6"	1'-6"	2'-6"

NOTE:
SEE SPECIFICATION SECTION 03300 FOR MATERIAL AND INSTALLATION REQUIREMENTS NOT SHOWN

DESIGN BASIS:
WORKING PRESSURE @ 125 PSI DESIGN PRESSURE @ 250 PSI ALLOWABLE SOIL PRESSURE @ 5000 PSF

THRUST BLOCKING DETAIL (NTS)



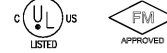
NOTE:
SEE SPECIFICATION SECTION 02722.3.03 K FOR MATERIAL AND INSTALLATION REQUIREMENTS NOT SHOWN

CLEANOUT DETAIL (NTS)

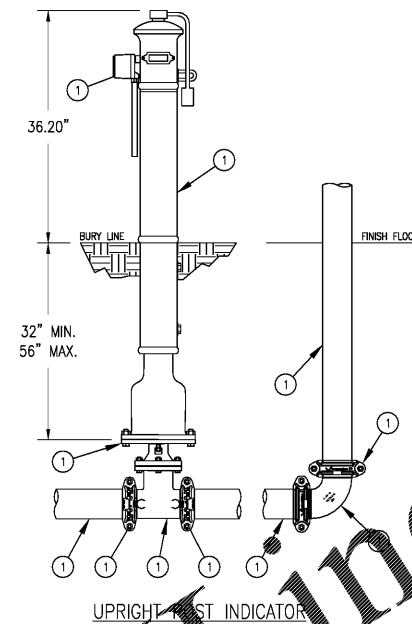
PRODUCT LEGEND

1	UPRIGHT POST INDICATOR SERIES 774
2	CLASS 53 DUCTILE IRON PIPE
3	AWWA TRANSITION COUPLING STYLE 307
4	NRS GATE VALVE SERIES 772H (GXG)
5	AWWA 90° ELBOW NO. 10-C
6	AWWA COUPLING STYLE 31
7	SYSTEM SENSOR SUPERVISORY SWITCH PHB2V FOR POST INDICATOR
8	MOUNTING PLATE #

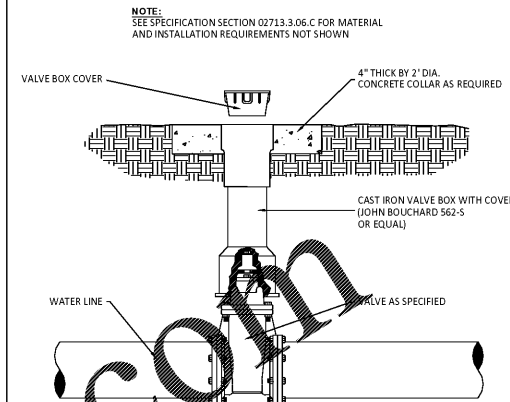
SEE METALLIC SUBMITTAL NUMBER 10.92



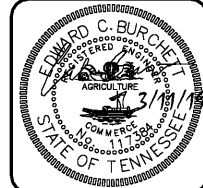
NOTES:
1. ITEM NUMBER 1 REFERENCE MANUFACTURERS INSTALLATION GUIDELINES, AND MOUNTING INSTRUCTIONS.
2. SERIES 772H AND SERIES 772F NRS GATE VALVES MUST BE EQUIPPED WITH A MOUNTING PLATE IF USED WITH THE SERIES 774 UPRIGHT POST INDICATOR.



UPRIGHT POST INDICATOR



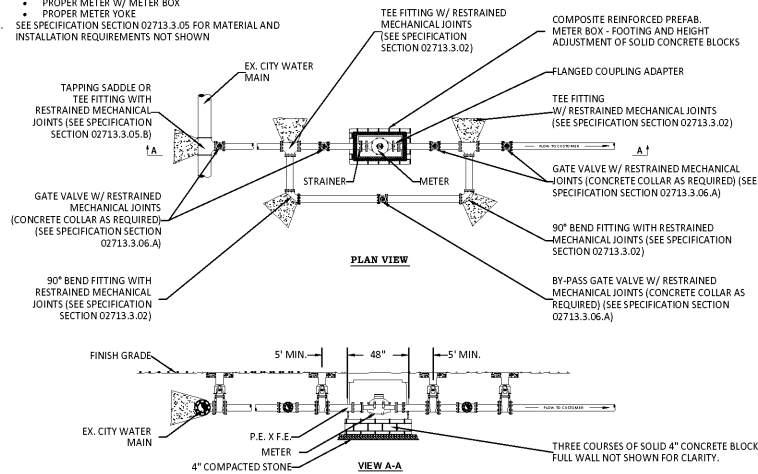
VALVE AND VALVE BOX DETAIL (NTS)



REVISIONS

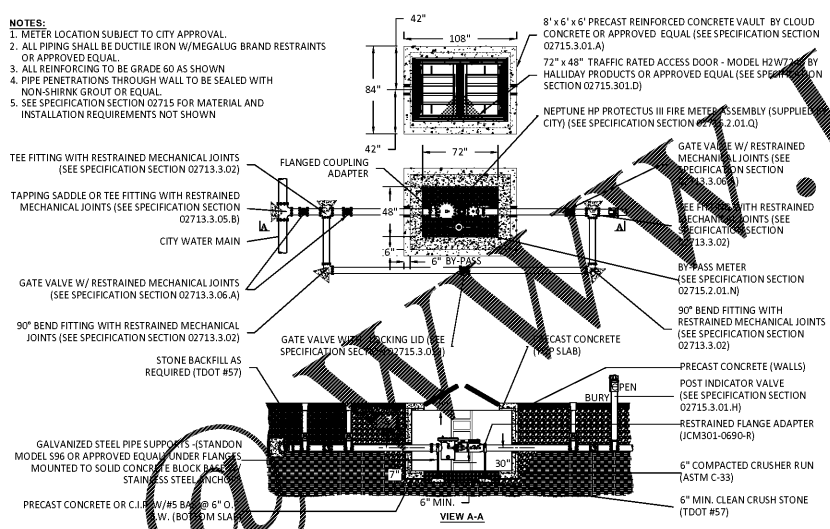
NO.	DATE	REVISION
1	3/11/19	ADDED POST INDICATOR DETAIL

NOTE:
1. CITY IS TO SUPPLY FOLLOWING ITEMS ONLY:
• PROPER METER W/ METER BOX
2. SEE SPECIFICATION SECTION 02713.3.05 FOR MATERIAL AND INSTALLATION REQUIREMENTS NOT SHOWN

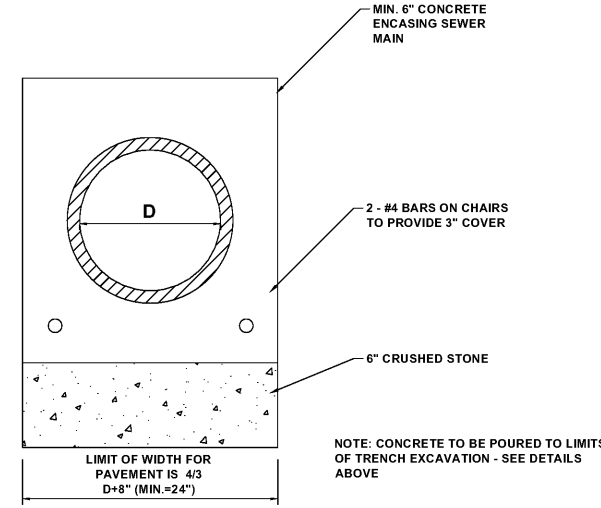


3'-6" METER SETUP DETAIL (NTS)

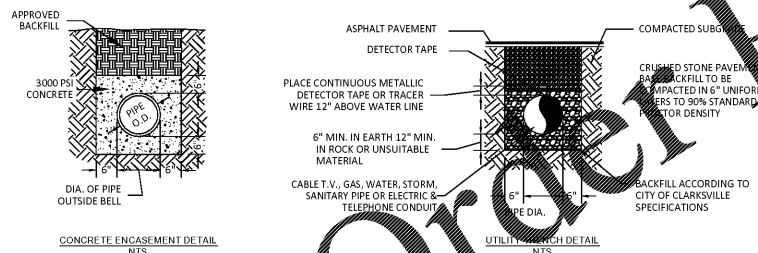
NOTES:
1. METER LOCATION SUBJECT TO CITY APPROVAL.
2. ALL PIPING SHALL BE DUCTILE IRON W/MEGALUG BRAND RESTRAINTS OR APPROVED EQUAL.
3. ALL REINFORCING TO BE GRADE 60 AS SHOWN
4. PIPE PENETRATIONS THROUGH WALL TO BE SEALED WITH NON-SHRINK GROUT OR EQUAL.
5. SEE SPECIFICATION SECTION 02715 FOR MATERIAL AND INSTALLATION REQUIREMENTS NOT SHOWN



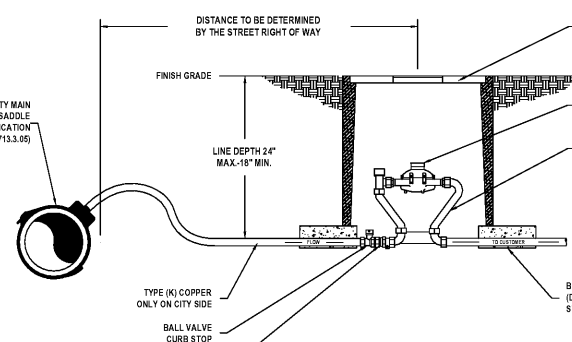
FIRE PROTECTION METER SETUP DETAIL (NTS)



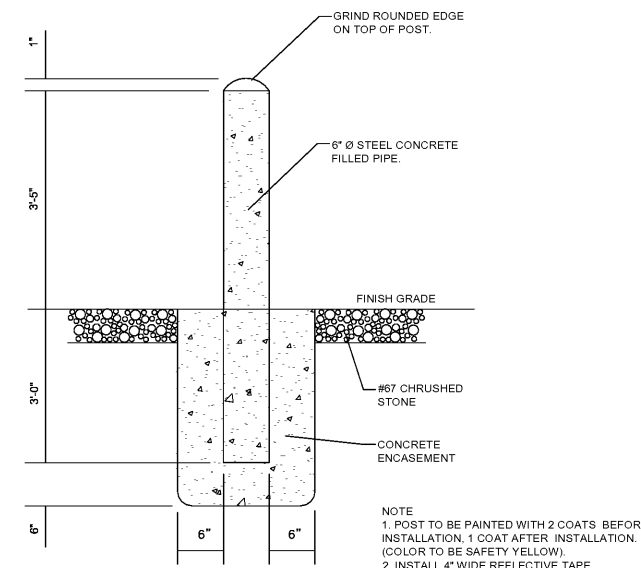
CONCRETE ENCASMENT DETAIL
NO SCALE



UTILITY TRENCH DETAIL (NTS)



3/4" -1" METER SETUP DETAIL (NTS)



TYP. BOLLARD DETAIL
NO SCALE

STANDARD DETAILS

CLARKSVILLE
MONTGOMERY COUNTY, TENNESSEE
March 11, 2019

1545 Madison Street
Clarksville, TN 37040
Ph # 931-245-3095
MCKAY-BURCHETT & COMPANY ENGINEERS

SHEET: D-3
DRAWN BY: D. HOOVER
CHECKED BY: C. BURCHETT
SCALE: AS SHOWN
DATE: 3/11/19