



REVISIONS	
DATE	COMMENTS

STANDARD DETAILS

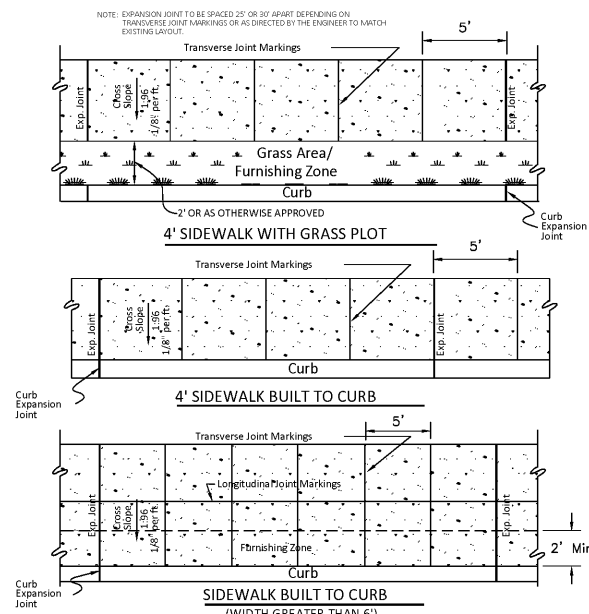
CLARKSVILLE
MONTGOMERY COUNTY, TENNESSEE
December 5, 2018

MCKAY-BURCHETT & COMPANY ENGINEERS

1545 Madison Street
Clarksville, TN 37040
Ph # 931-245-3095

DRAWN BY: D. HOOPER
CHECKED BY: C. BURCHETT

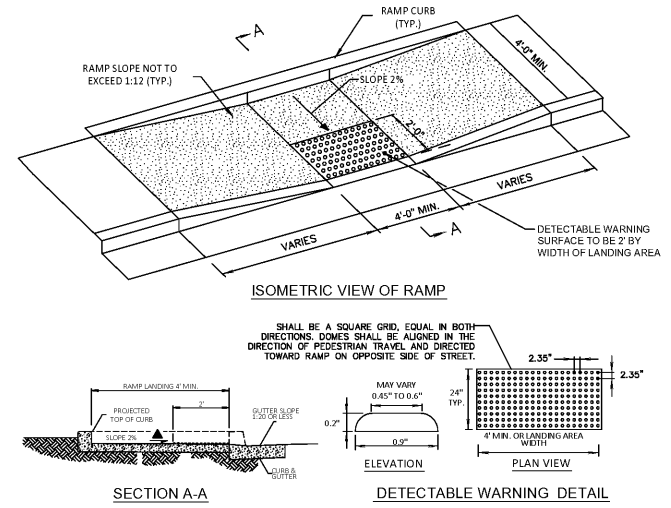
SHEET: D.2



GENERAL NOTES

- SIDEWALKS SHALL BE A MINIMUM OF 4 INCHES IN THICKNESS.
- MAXIMUM CROSS SLOPE FOR SIDEWALKS SHALL NOT EXCEED 1:48 (VERTICAL/HORIZONTAL).
- SIDEWALK SHALL BE CONSTRUCTED OF WHITE CONCRETE, BRICK, OR EXPOSED AGGREGATE PER CITY OF CLARKSVILLE TECHNICAL SPECIFICATIONS, SECTION 02522.
- COMPACTED STONE BASE, PUG MILL MIX, 4" THICK SHALL BE APPLIED TO SUB GRADE PRIOR TO INSTALLING SIDEWALK.
- FURNISHING ZONE IS AN AREA FOR OBSTRUCTIONS IN THE SIDEWALK. EXAMPLES ARE OUTDOOR CAFES, POWER POLES, FIRE HYDRANTS, SIGNS, ETC.
- IN THE EVENT OF ANY CONFLICT, DISCREPANCY, OR INCONSISTENCY AMONG THE PLANS AND THESE STANDARD DETAILS, THE REQUIREMENTS OF THE STANDARD DETAILS SHALL GOVERN.

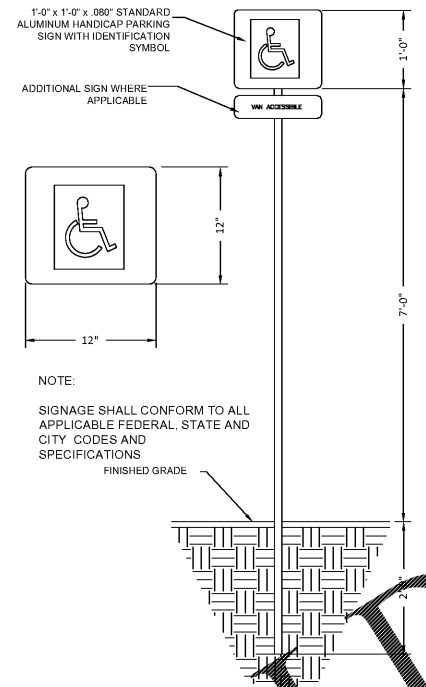
SIDEWALK CONSTRUCTION DETAIL (NTS)



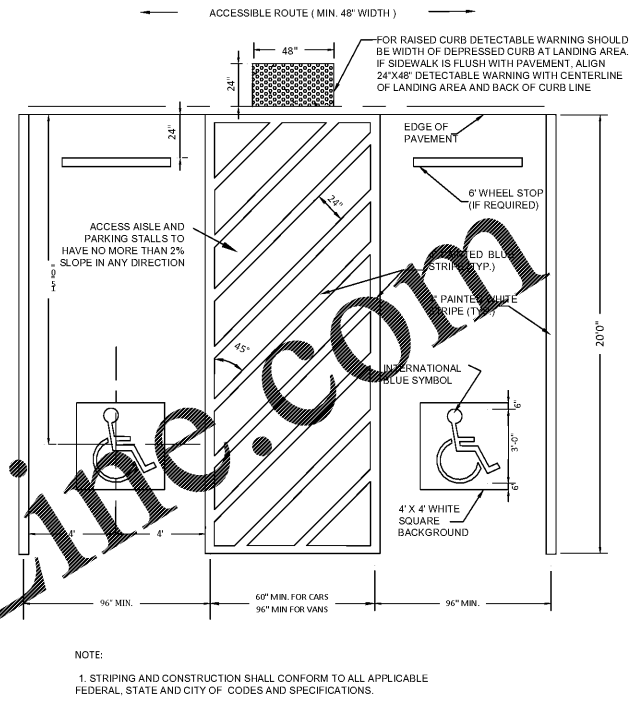
NOTES:

- HANDICAP RAMP CONSTRUCTION SHALL CONFORM TO ALL FEDERAL, STATE AND CITY OF SAVANNAH CODES AND SPECIFICATIONS.
- SURFACES SHALL MEET THE GUIDELINES OF THE ADA STANDARDS FOR ACCESSIBILITY, APPENDIX A, PART 36.
- THE SLOPE OF THE GUTTER MUST NOT EXCEED 1:20 ADJACENT TO THE RAMP. TRUNCATED DOMES WITH A DIAMETER OF NOMINAL 0.9.
- DETECTABLE WARNINGS SHALL CONSIST OF RAISED INCHES, A HEIGHT OF NOMINAL 0.2 INCHES AND A CENTER TO CENTER SPACING OF NOMINAL 2.35 INCHES. SHALL CONTRAST VISUALLY WITH ADJOINING SURFACES.
- BRICK PAVERS SHALL BE SET IN A WET MORTAR BED. THE BED SHALL BE PLACED ON CONCRETE. THE THICK. CONCRETE SHALL BE A MINIMUM OF FOUR INCHES.

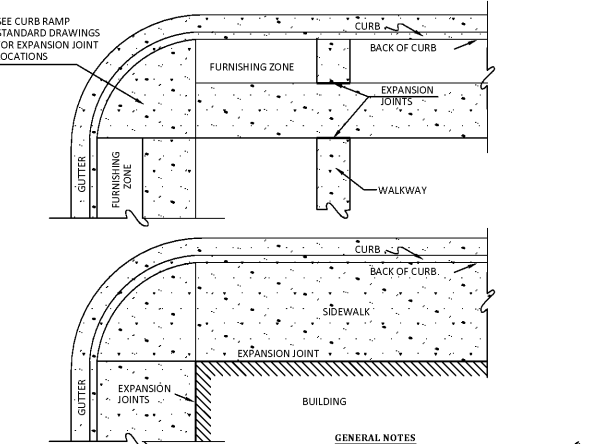
HANDICAP RAMP DETAIL (NTS)



HANDICAP PARKING SIGN



HANDICAP PARKING SPACE



GENERAL NOTES

- EXPANSION JOINTS TO BE PLACED AS SHOWN ON THE DRAWING OR AS DIRECTED BY THE ENGINEER, AT CURB RETURNS, WHERE BUILDINGS ARE ADJACENT TO SIDEWALKS, WHERE NEW SIDEWALK MEETS EXISTING SIDEWALK, AND AT WALKWAYS.
- ONE-HALF INCH EXPANSION JOINTS TO BE USED AT ALL LOCATIONS.
- THIS CLARKSVILLE STANDARD DRAWING IS FOR THE EXPANSION JOINTS IN SIDEWALKS. SEE OTHER CLARKSVILLE STANDARD DRAWINGS FOR CURB RAMP PLACEMENT, SIDEWALK DETAIL, OBSTRUCTIONS, ETC. THE EXPANSION JOINT MATERIAL SHALL BE SUPPLIED BY RUSSELL COMPANY, NY, 1-800-888-6822.
- MATERIALS THICK AS MANUFACTURED BY J.J.D. RUSSELL COMPANY, NY, 1-800-888-6822.
- WWW.JDRUSSELL.COM, OR APPROVED EQUAL.

STANDARD EXPANSION JOINT FOR CONCRETE SIDEWALK DETAIL (NTS)

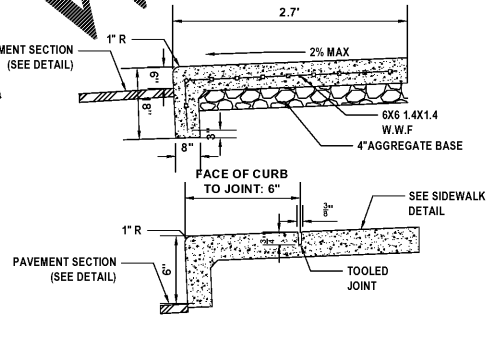
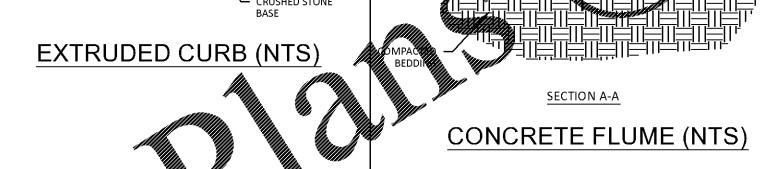
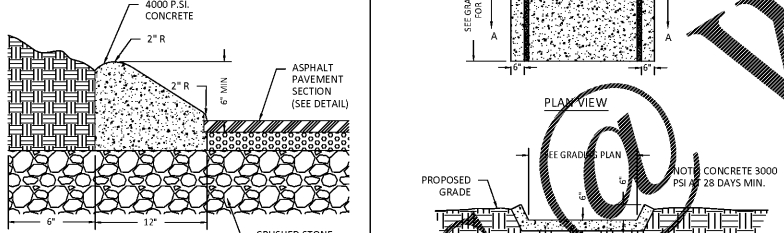
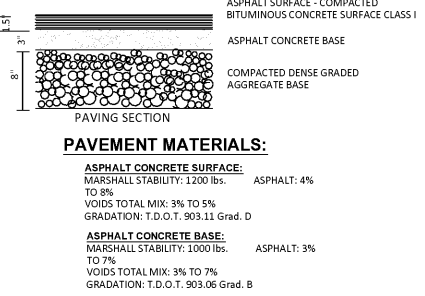
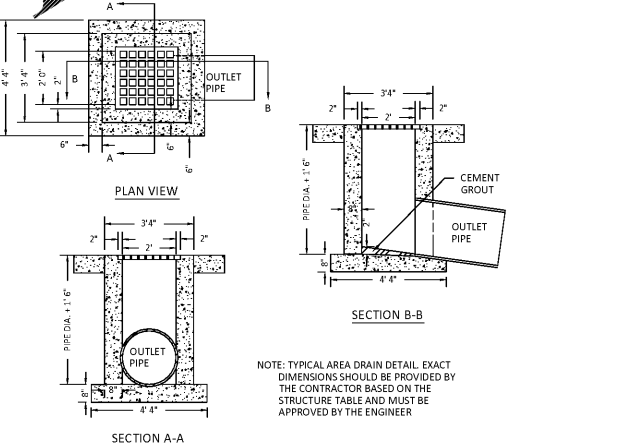
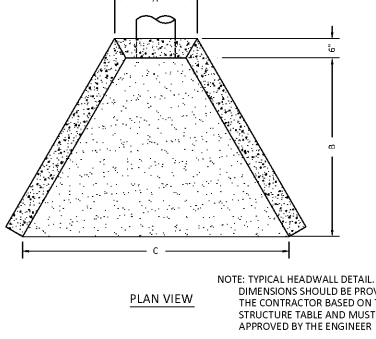
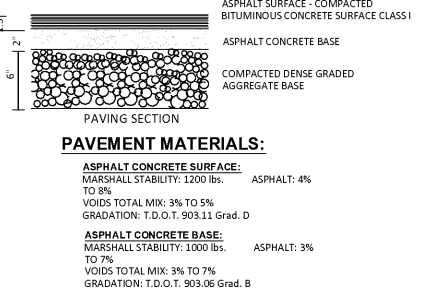


TABLE OF DIMENSIONS

DIA.	A	B	C	D	E
15"	30"	30"	60"	9"	6"
18"	30"	30"	60"	9"	6"
24"	48"	48"	78"	9"	6"
30"	48"	48"	78"	9"	6"
36"	66"	42"	96"	9"	6"
42"	66"	42"	130"	9"	6"
48"	66"	42"	96"	9"	6"
54"	84"	54"	114"	9"	6"
60"	84"	54"	114"	9"	6"
72"	102"	66"	132"	9"	6"



HEAVY-DUTY PAVEMENT SECTION COMMERCIAL DETAIL (NTS)
(PER INDUSTRY STANDARD, NOT GEOTECH REPORT AT THIS TIME)



LIGHT-DUTY PAVEMENT SECTION COMMERCIAL DETAIL (NTS)
(PER INDUSTRY STANDARD, NOT GEOTECH REPORT AT THIS TIME)