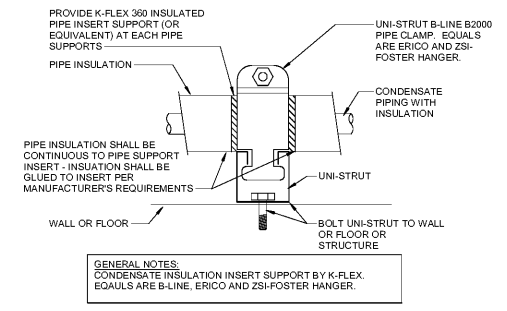
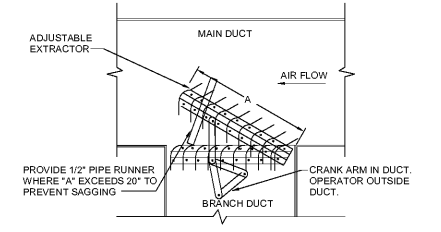


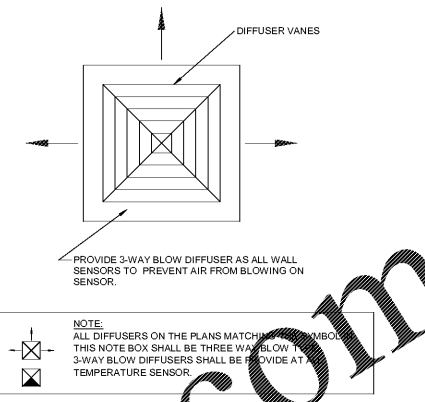
4 CONDENSATE TRAP DETAIL
1/8" = 1'-0"



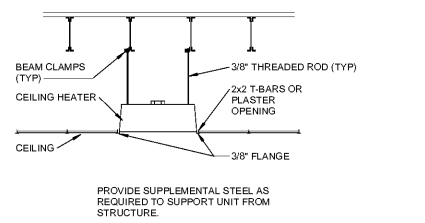
3 REFRIGERANT PIPING SUPPORT DETAIL
NONE



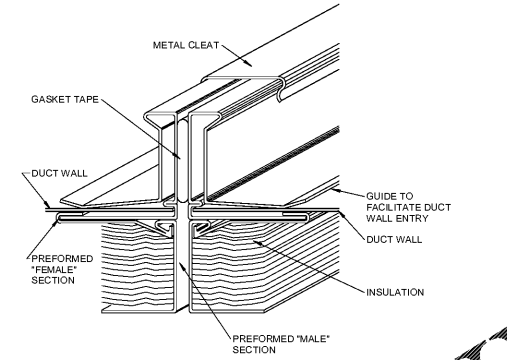
2 AIR EXTRACTOR AT BRANCH DUCT DETAIL
1/8" = 1'-0"



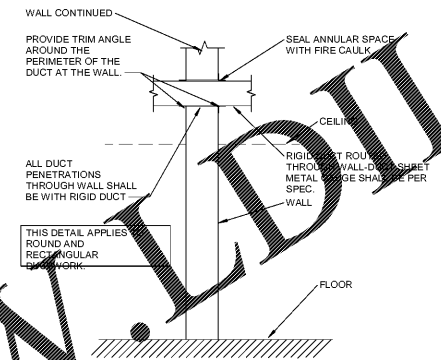
1 3-WAY BLOW DIFFUSER BLANK OF DETAIL
1/8" = 1'-0"



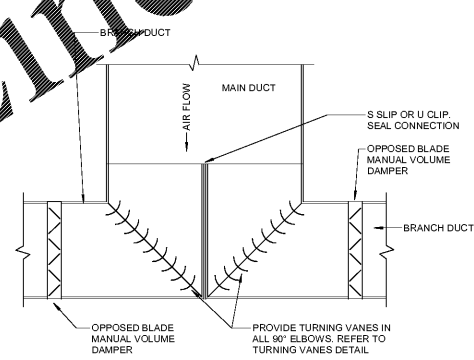
8 ELECTRIC CEILING HEATER
1/8" = 1'-0"



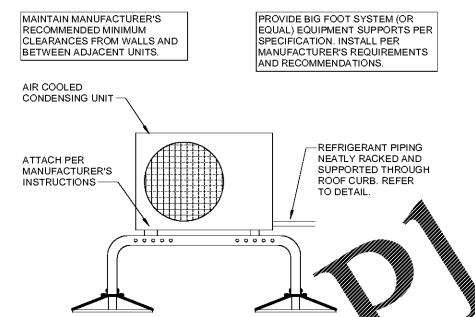
7 DUCTMATE SLIDE-ON CROSS SECTION
1/8" = 1'-0"



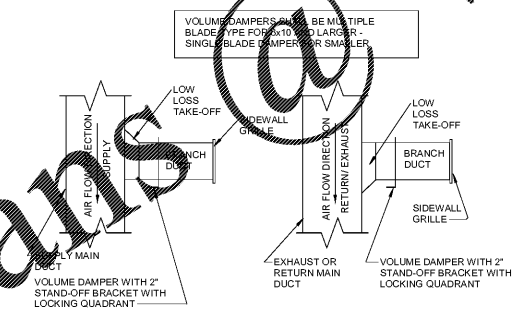
6 DUCT WALL PENETRATION DETAIL
1/8" = 1'-0"



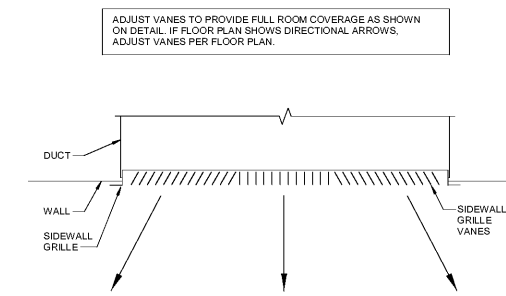
5 DIVIDED FLOW BRANCH TAKE-OFF DETAIL
NONE



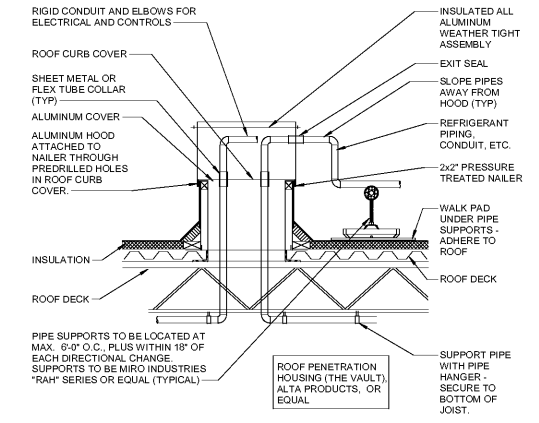
12 CONDENSING OR HEAT PUMP UNIT MOUNTING DETAIL
NONE



11 SIDEWALL GRILLE DETAIL
1/8" = 1'-0"



10 SIDEWALL GRILLE VANE ADJUSTMENT DETAIL
1/8" = 1'-0"



9 PIPE ROOF CURB DETAIL
1/8" = 1'-0"

PERKINS + WILL

1315 Peachtree St. NE
Atlanta, GA 30309
404.873.2300
404.922.5523
www.perkinswill.com

CONSULTANTS

ARCH
Breedlove Land Planning
15 Simpson St NW, Atlanta, GA 30308

STRUCTURAL
Uzun-Case
1220 Peachtree St. NE, Suite 2500, Atlanta, GA 30309

MEP
Matheson Ball & Associates
11285 Elkins Rd., Suite F3, Roswell, GA 30076

LANDSCAPE
Perkins+Will
1315 Peachtree St. NE, Atlanta, GA 30309

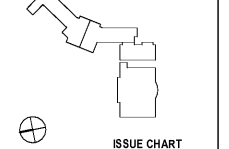
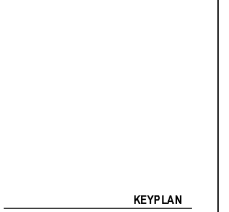
KITCHEN
Camacho
3103 Medlock Bridge Road, Norcross, GA 30071

KIPP Metro Atlanta Schools - 1448
Maynard Road, NW Atlanta, GA 30331

FACILITY
CONTRACTOR



KIPP ATLANTA COLLEGIATE - Addition and Renovations



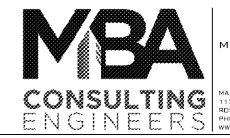
DATE	ISSUE	DATE
Job Number		
Drawn	MSK	
Checked	GC	
Approved	GC	
TITLE		

HVAC DETAILS

SHEET NUMBER

M31-02

Copyright © 2018 Perkins+Will



MBA# 19002
MATHESON BALL & ASSOCIATES, INC.
11285 ELKINS RD., SUITE F3
ROSWELL, GEORGIA 30076
PHONE: (770) 761-0713
WWW.MATHESONBALL.COM

Order Plans

WWW.LDOnline.com