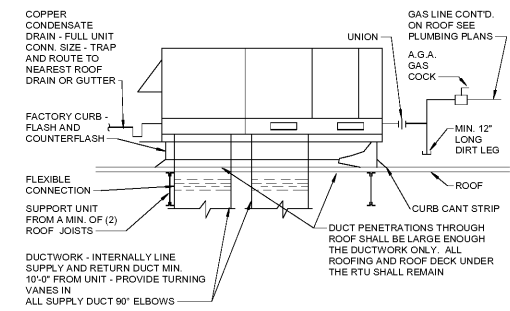
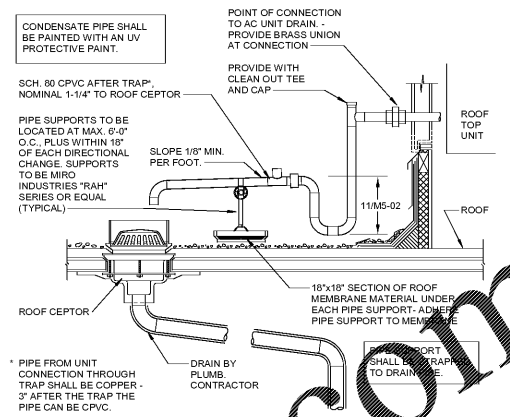


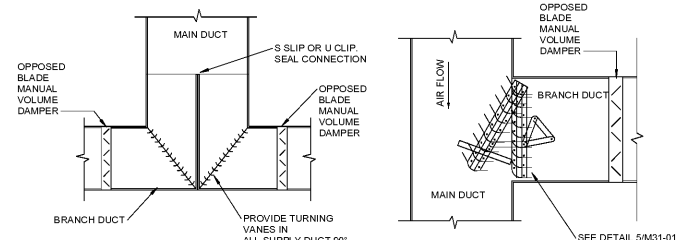
SECTION @ EXHAUST FAN CURB DETAIL
1/8" = 1'-0"



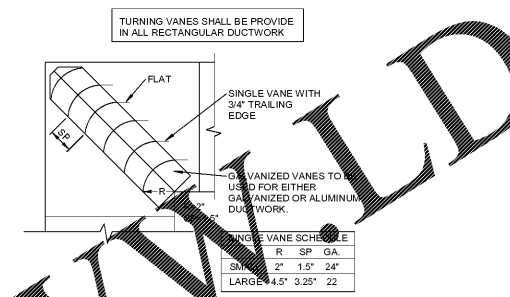
ROOFTOP UNIT DETAIL
1/8" = 1'-0"



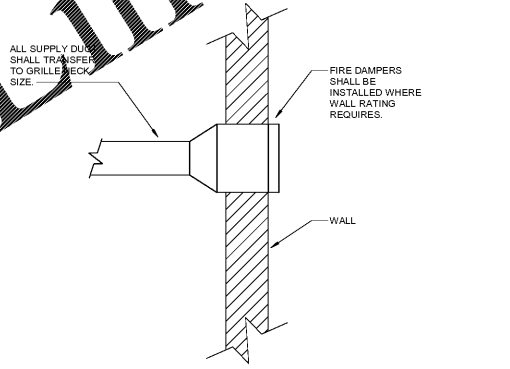
ROOFTOP UNIT CONDENSATE DRAIN
1/8" = 1'-0"



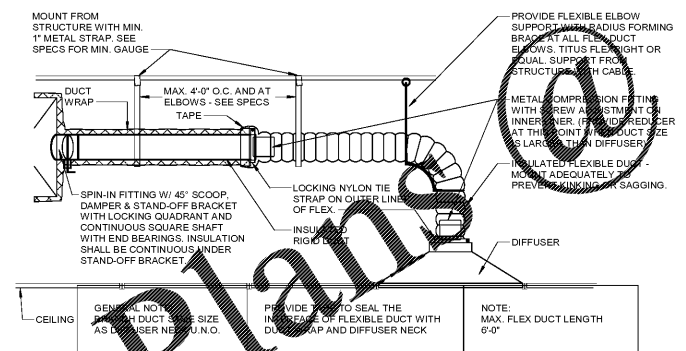
TEE AND BRANCH TAKE-OFF DETAIL
1/8" = 1'-0"



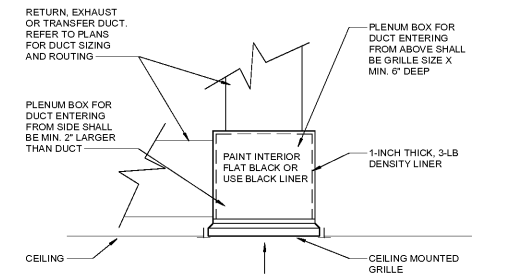
90° ELBOW WITH TURNING VANES
1/8" = 1'-0"



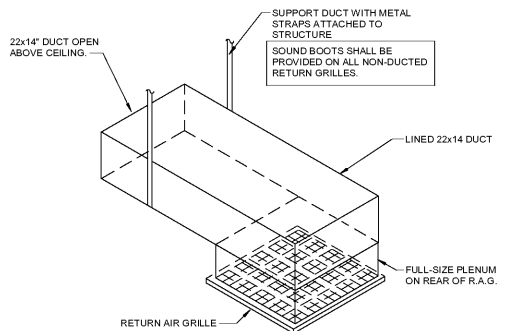
SIDEWALL DIFFUSER TRANSITION DETAIL
NONE



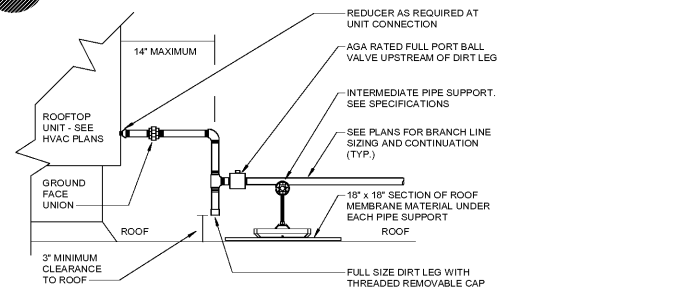
TYPICAL DIFFUSER MOUNT DETAIL
NONE



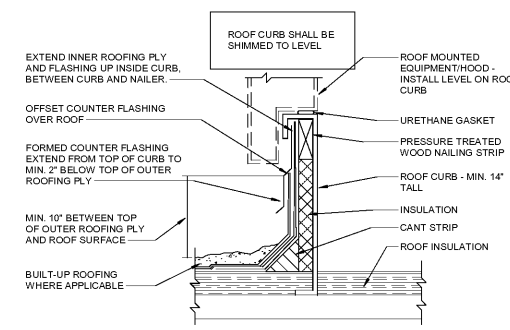
TYP. RETURN/EXHAUST GRILLE CONNECTION DETAIL
NONE



TYP. RETURN GRILLE BOOT DETAIL
1/8" = 1'-0"



TYPICAL ROOFTOP UNIT GAS CONNECTION DETAIL
NONE



TYPICAL ROOF CURB INSTALLATION DETAIL
NONE

PERKINS + WILL

1315 Peachtree St. NE
Atlanta, GA 30309
404.873.2300
404.922.5523
www.perkinswill.com

CONSULTANTS

CHN
Breedlove Land Planning
15 Simpson St. NW, Atlanta, GA 30309

STRUCTURAL
Uzun-Case
1220 Peachtree St. NE, Suite 2500, Atlanta, GA 30309

MEP
Matheson Ball & Associates
11285 Elkins Rd., Suite F3, Roswell, GA 30076

LANDSCAPE
Perkins+Will
1315 Peachtree St. NE, Atlanta, GA 30309

KITCHEN
Camacho
3103 Medlock Bridge Road, Norcross, GA 30071

KIPP Metro Atlanta Schools 1448
Maynard Road, NW Atlanta, GA 30331

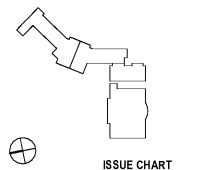
FACILITY
CONTRACTOR



PROJECT

KIPP ATLANTA
COLLEGIATE - Addition
and Renovations

KEYPLAN



ISSUE CHART

DATE	ISSUE	DATE
	Job Number	MSK
	Drawn	GC
	Checked	GC
	Approved	GC
	TITLE	

HVAC DETAILS

SHEET NUMBER

M31-01

Copyright © 2018 Perkins+Will

MBA
CONSULTING
ENGINEERS

MBA # 19002

MATHESON BALL & ASSOCIATES, INC.
11285 ELKINS RD., SUITE F3
ROSWELL, GEORGIA 30076
PHONE: (770) 761-0713
WWW.MATHESONBALL.COM

Order Plans

WWW.WLDIline.com