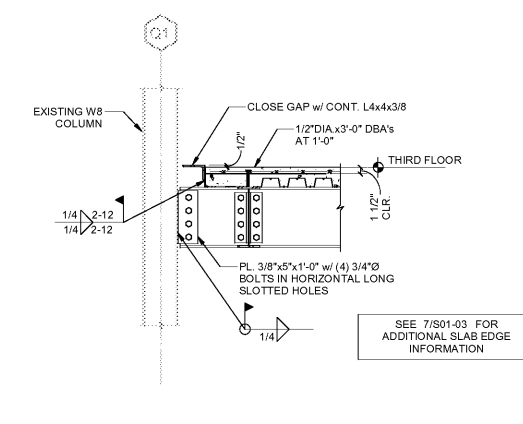
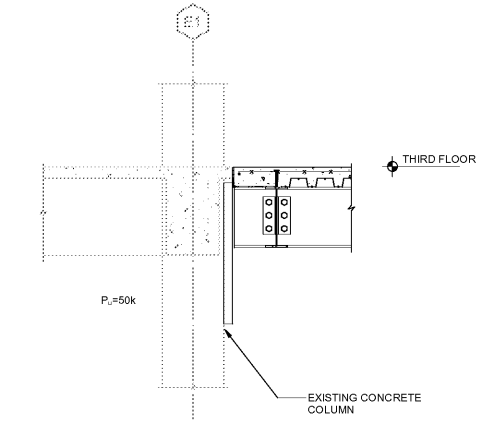


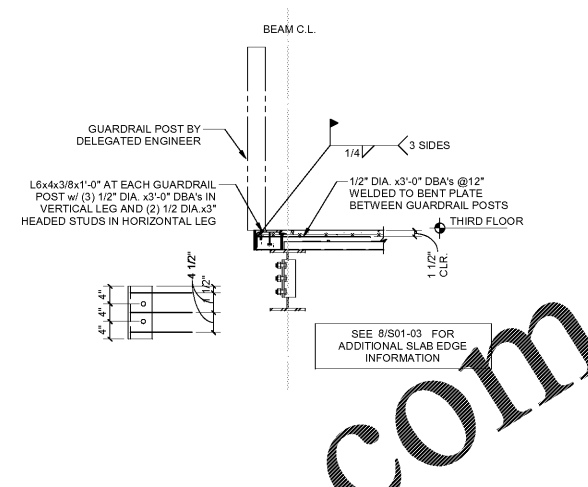
1 SECTION
S40-11 SCALE: 3/4" = 1'-0"



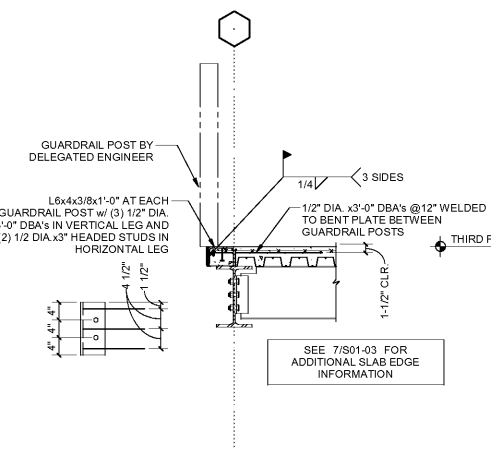
2 SECTION
S40-11 SCALE: 3/4" = 1'-0"



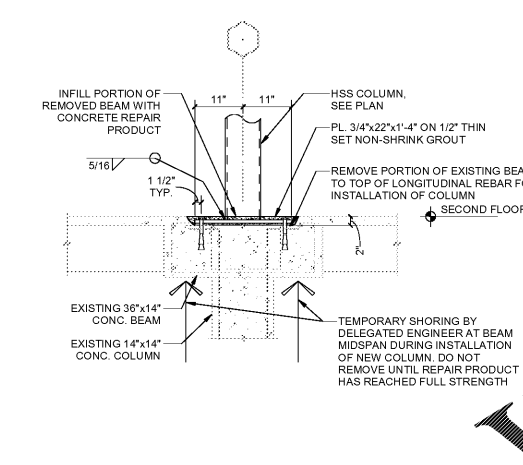
3 SECTION
S40-11 SCALE: 3/4" = 1'-0"



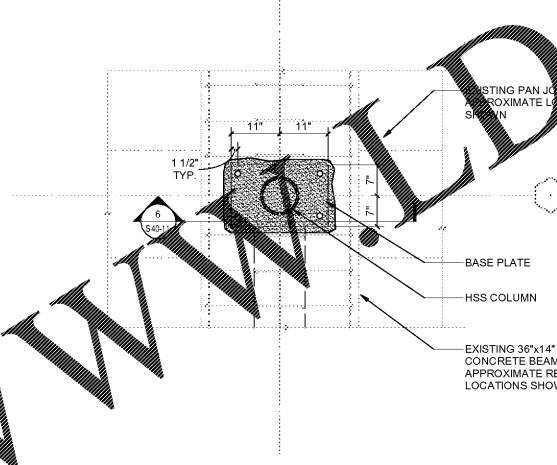
4 SECTION
S40-11 SCALE: 3/4" = 1'-0"



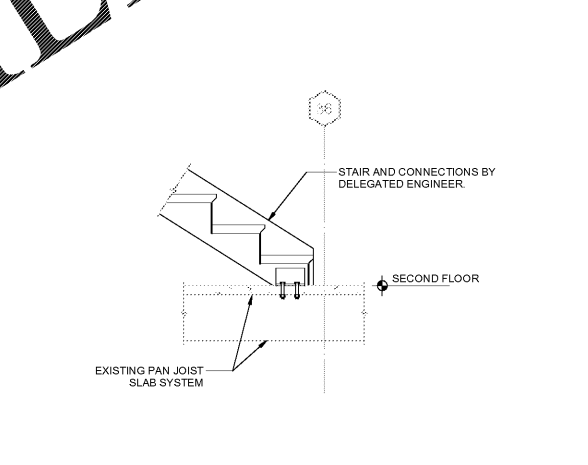
5 SECTION
S40-11 SCALE: 3/4" = 1'-0"



6 SECTION
S40-11 SCALE: 3/4" = 1'-0"



7 PLAN DETAIL AT MEZZ. COLUMN BASE
S40-11 SCALE: 3/4" = 1'-0"



8 SECTION
S40-11 SCALE: 3/4" = 1'-0"

Order Plans @

WWW.PERKINSWILL.COM