

CONSULTANTS

- civil
Braslowe Land Planning
15 Simpson St NW, Atlanta, GA 30308
- STRUCTURAL
Luzh-Cobb
1230 Peachtree St. NE, Suite 2500 Atlanta, GA
30309
- MEP
Matheson Bai & Associates
11285 Elkins Rd., Suite F3, Roswell, GA 30076
- LANDSCAPING
Perkins+Will
1315 Peachtree St. NE, Atlanta, GA 30309
- Contractor
Camacho
3103 Medlock Bridge Road, Norcross, GA
30071

OWNER
KIPP Metro Atlanta Schools
1445 Maynard Road NW, Atlanta, GA 30331

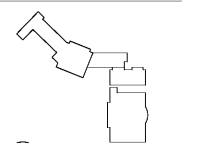
ARCHITECT

CONTRACTOR

PROJECT

**KIPP ATLANTA
COLLEGIATE - Addition
and Renovations**
98 Anderson Ave NW
Atlanta GA 30314

KEYPLAN



ISSUE CHART



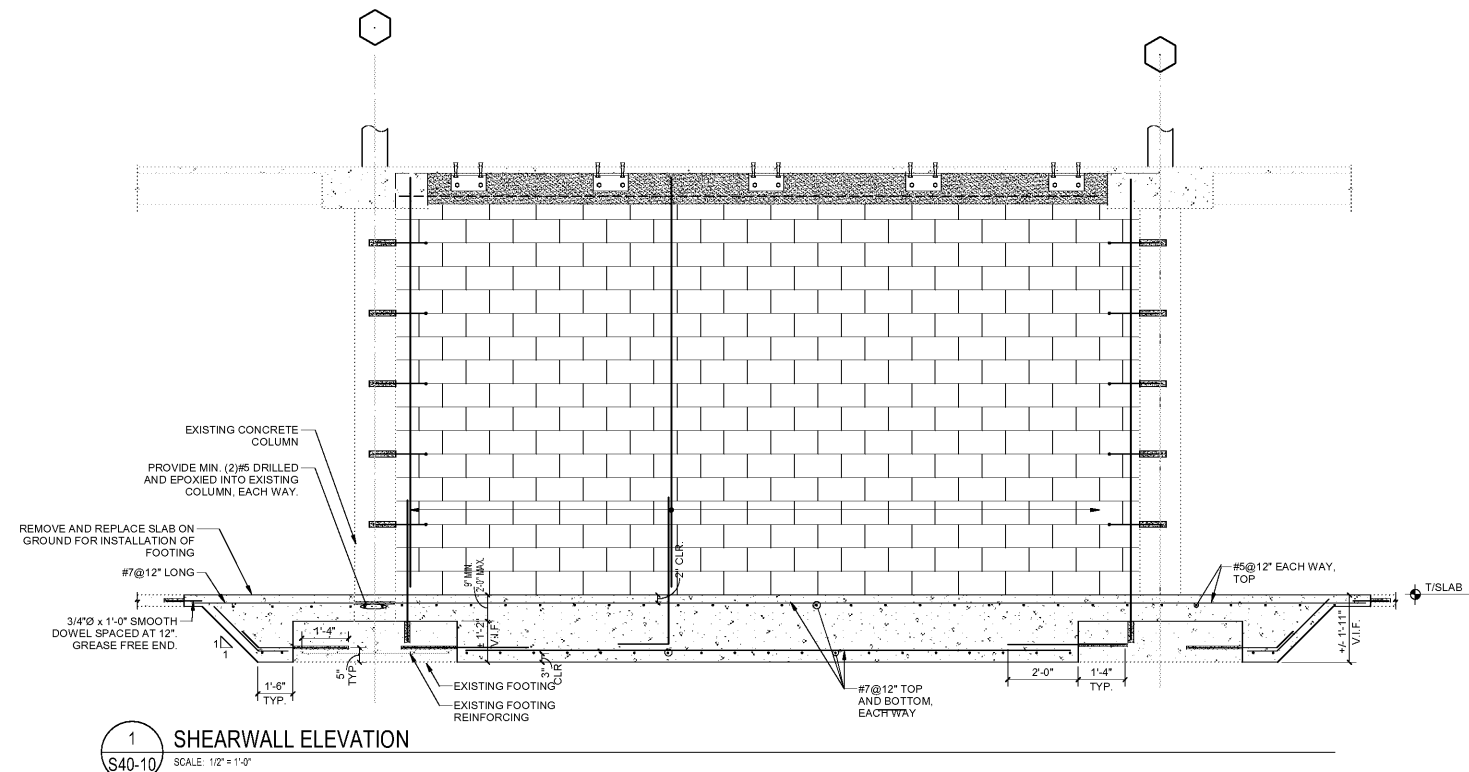
DATE	ISSUE	DATE
18220	Job Number	
SG	Drawn	
SG	Checked	
JH	Approved	

TITLE

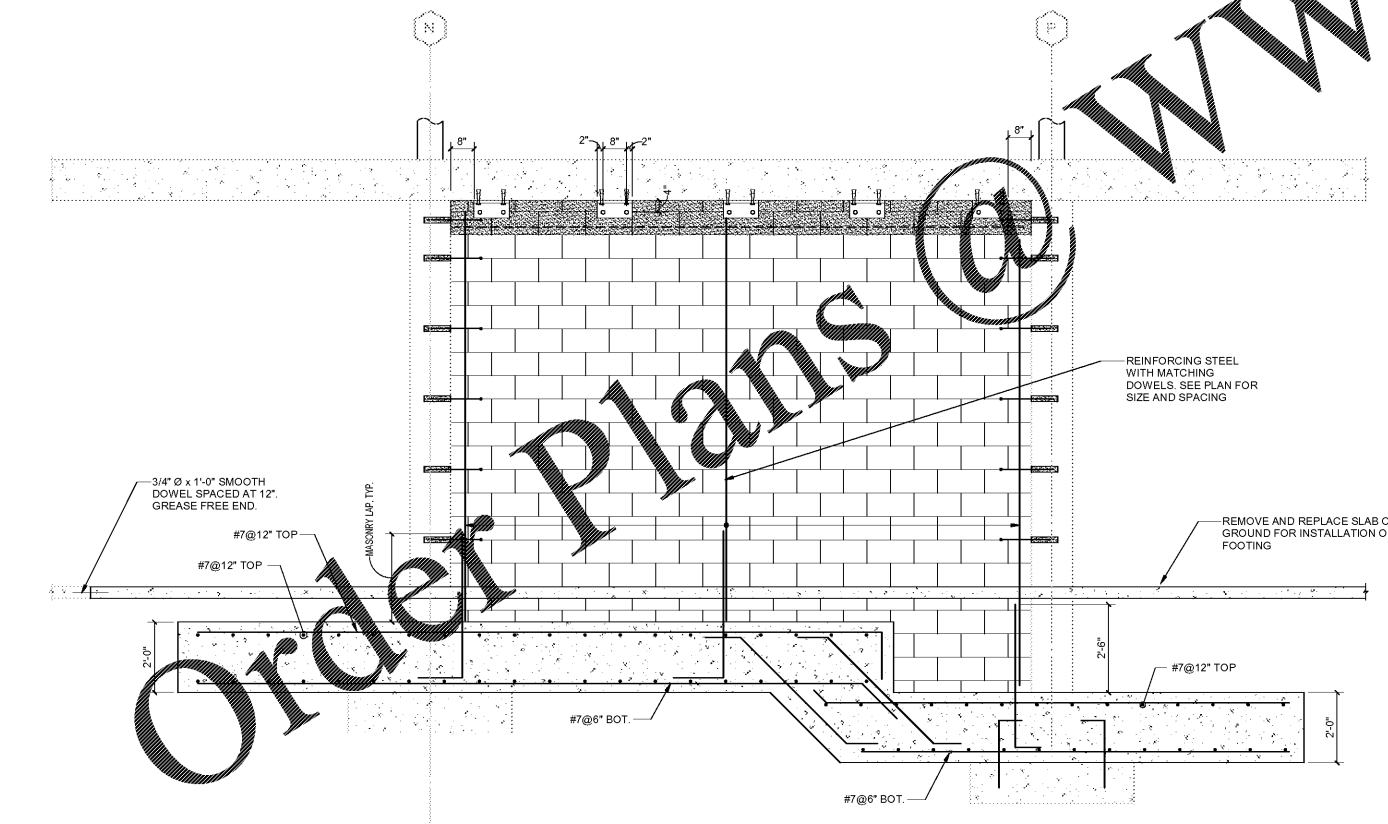
**SECTIONS AND
DETAILS AT
MEZZANINE INFILL**

SHEET NUMBER

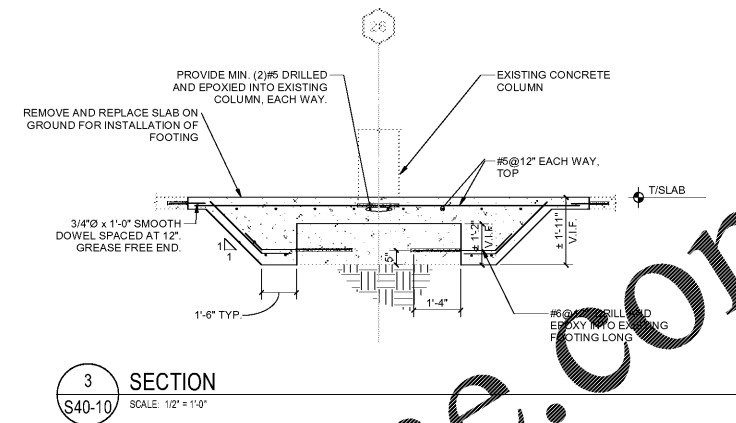
S40-10



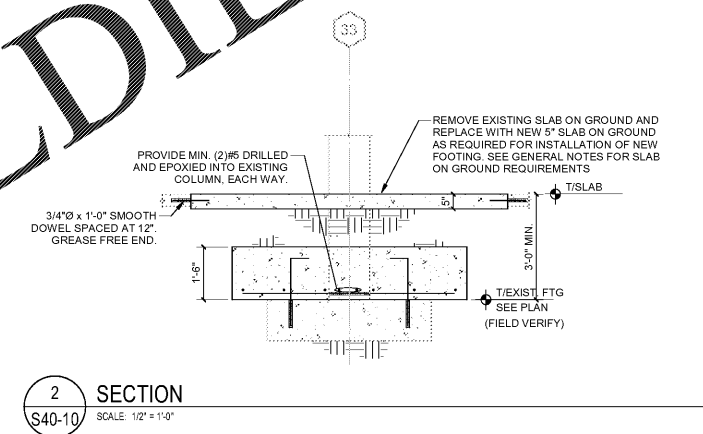
1 SHEARWALL ELEVATION
SCALE: 1/2" = 1'-0"



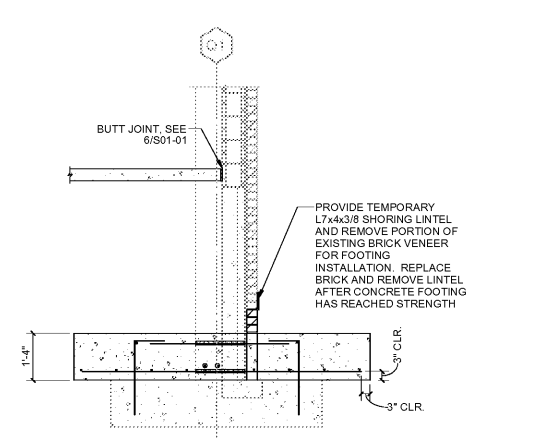
4 SHEARWALL ELEVATION
SCALE: 1/2" = 1'-0"



3 SECTION
SCALE: 1/2" = 1'-0"



2 SECTION
SCALE: 1/2" = 1'-0"



5 SECTION
SCALE: 1/2" = 1'-0"

www.LDILine.com

Order Plans @