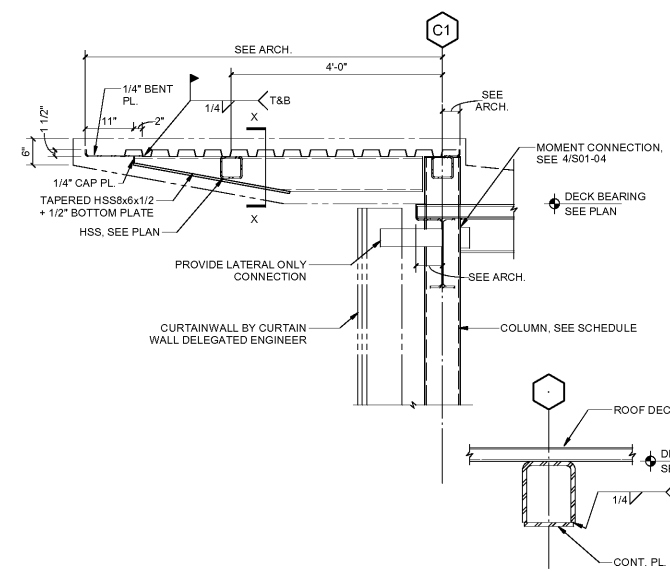
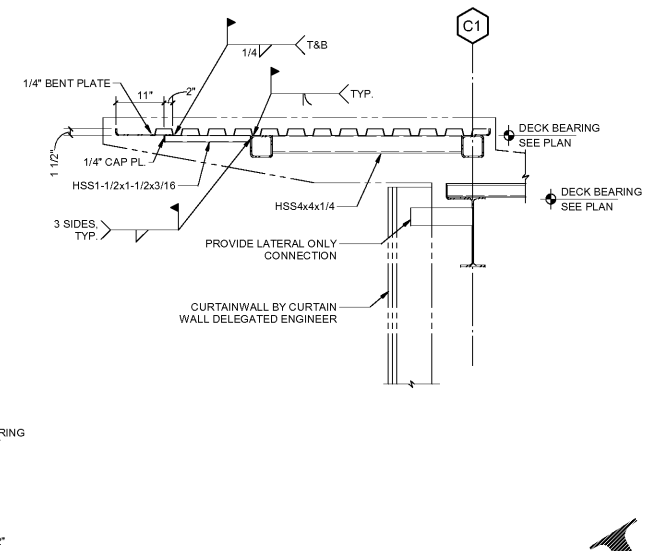


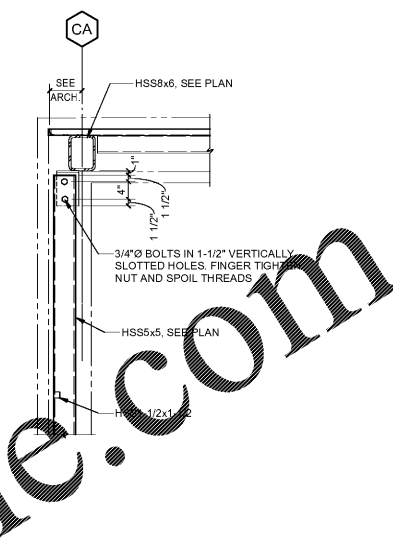
1 FILL WALL SIDE ELEVATION
SCALE: 1/4" = 1'-0"



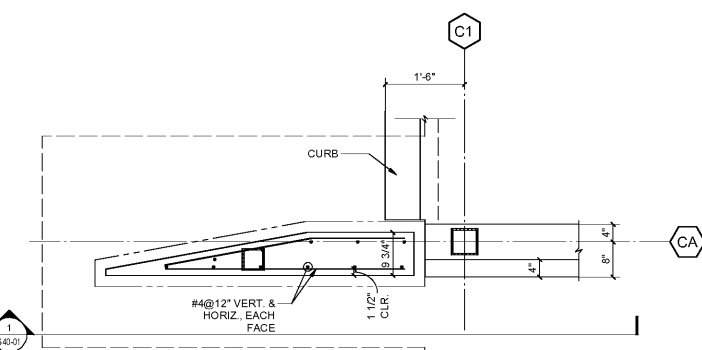
2 SECTION
SCALE: 3/4" = 1'-0"



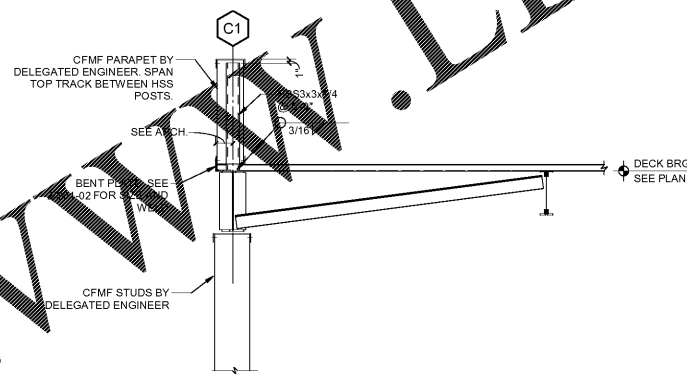
3 SECTION
SCALE: 3/4" = 1'-0"



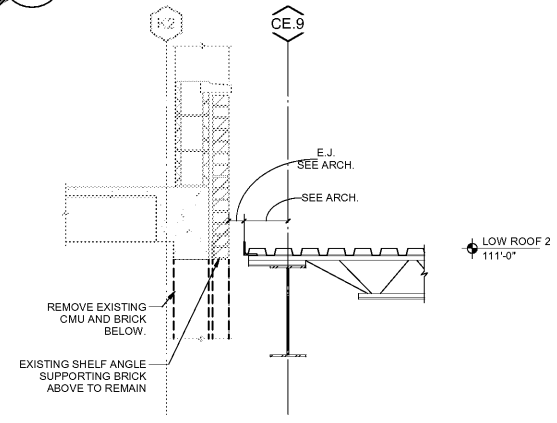
4 SECTION
SCALE: 3/4" = 1'-0"



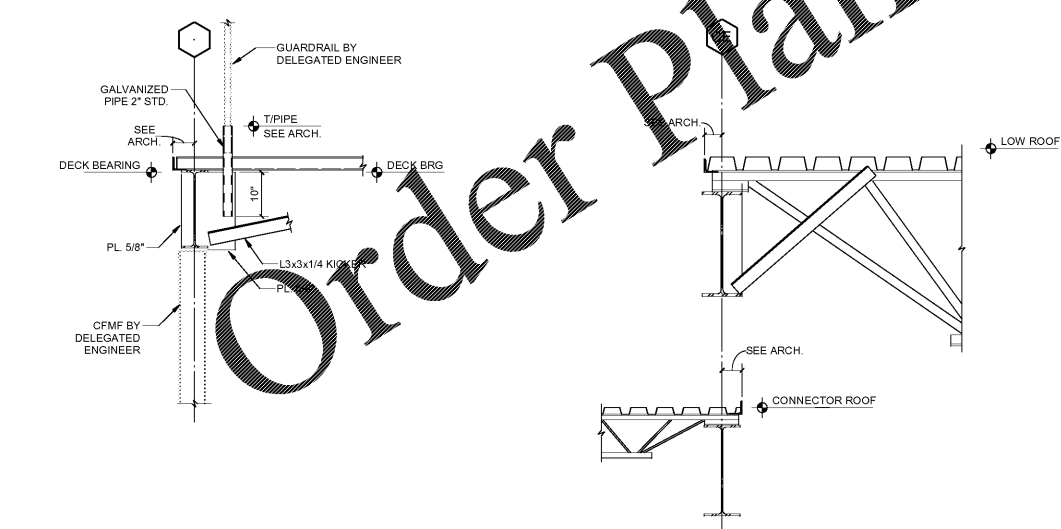
5 PLAN DETAIL AT FIN BASE
SCALE: 3/4" = 1'-0"



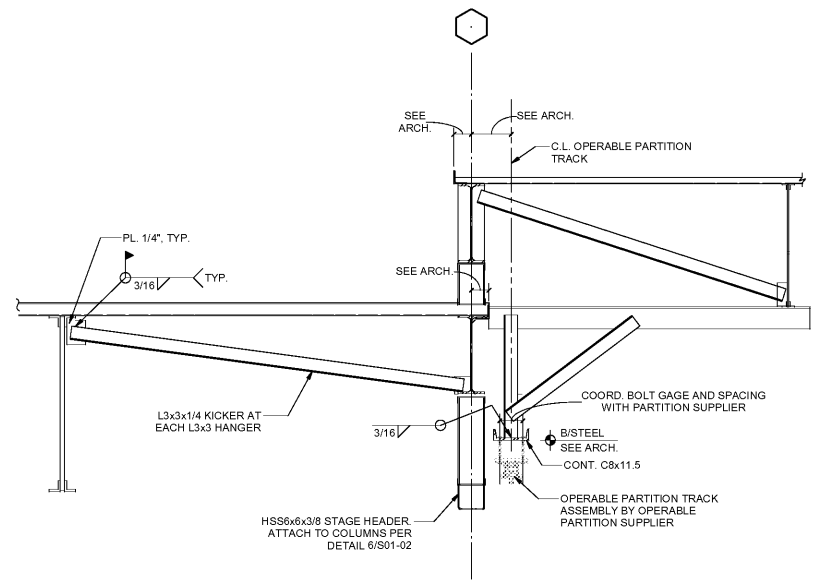
6 SECTION
SCALE: 3/4" = 1'-0"



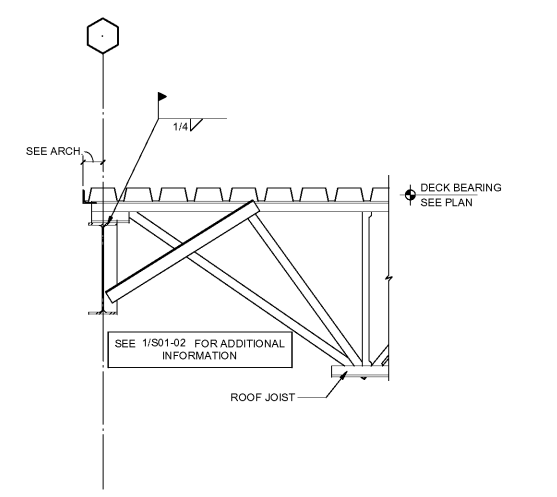
7 SECTION
SCALE: 3/4" = 1'-0"



8 SECTION
SCALE: 3/4" = 1'-0"



9 SECTION
SCALE: 3/4" = 1'-0"



10 SECTION
SCALE: 3/4" = 1'-0"

Order Plans @ WWW.LDILine.com