

**CONSULTANTS**

**civil**  
Bradlove Land Planning  
15 Simpson St. NW, Atlanta, GA 30308

**STRUCTURAL**  
Lizum-Cobb  
1230 Peachtree St. NE, Suite 2500 Atlanta, GA 30309

**MEP**  
Matheson Ball & Associates  
11285 Elkins Rd., Suite F3, Roswell, GA 30076

**LANDSCAPING**  
Perkins+Will  
1315 Peachtree St. NE, Atlanta, GA 30309

**Civil/Arch**  
3103 Medlock Bridge Road, Norcross, GA 30071

**OWNER**  
KIPP Metro Atlanta Schools  
1445 Maynard Road NW, Atlanta, GA 30331

**ARCHIT**

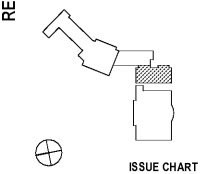
**contractor**

**PROJECT**

**KIPP ATLANTA  
COLLEGIATE - Addition  
and Renovations**  
98 Anderson Ave NW  
Atlanta GA 30314

RELEASED FOR CONSTRUCTION 06/07/2019

**KEYPLAN**



**ISSUE CHART**

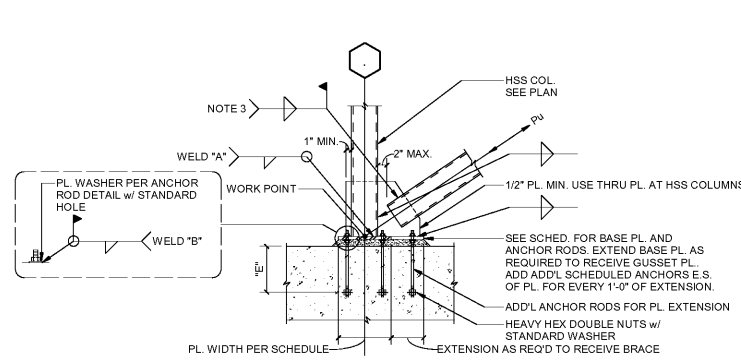


DATE	ISSUE	DATE
18220		
ZZ		
SG		
JH		

**BRACED FRAME  
DETAILS**

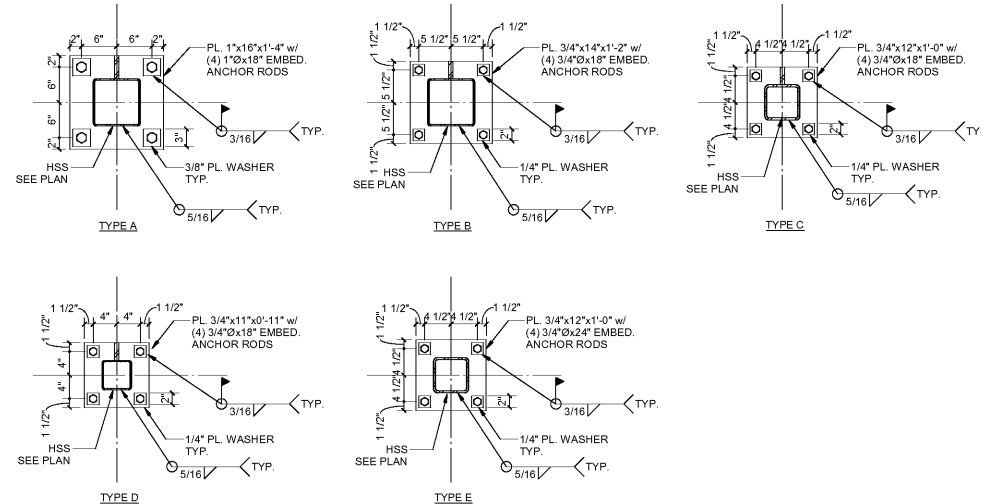
**SHEET NUMBER**

**S30-01**

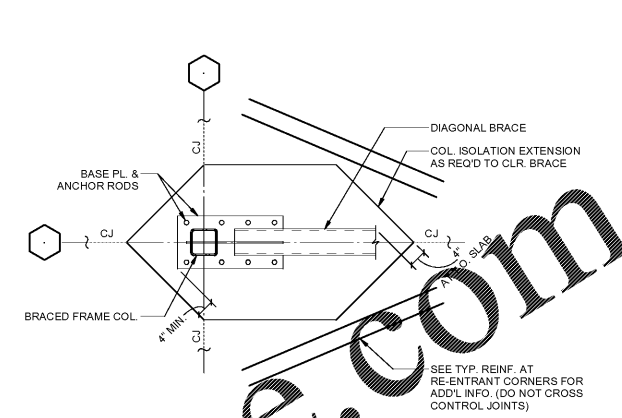


**NOTES:**  
1. SEE BRACED FRAME ELEVATIONS FOR "Pu"  
2. INCREASE WELD SIZE BY AMOUNT OF GAP  
3. SEE TYP. COL. AND FOOTING DETAIL AND TYP. COL. ISOLATION PLAN DETAIL AT BRACED FRAME FOR ADD'L INFO.

1 BRACED FRAME BASE PLATE DETAIL  
S30-01

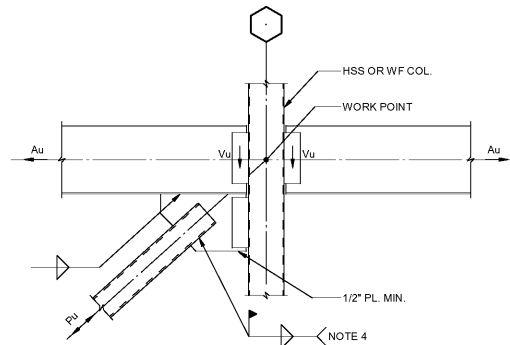


**BASE PLATES**



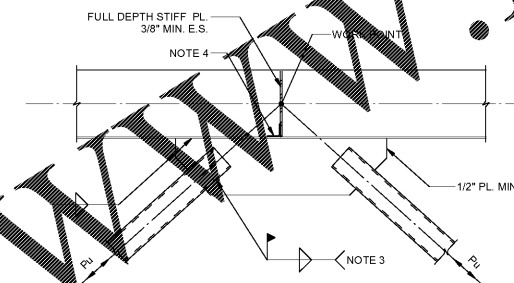
**NOTES:**  
1. SEE BRACED FRAME ELEVATIONS & TYP. COLUMN AND FOOTING DETAIL FOR ADD'L INFORMATION.

7 TYPICAL COL. ISOLATION PLAN DETAIL AT BRACED FRAME  
S30-01



**NOTES:**  
1. SEE BRACED FRAME ELEVATION FOR "Pu".  
2. SEE PLANS FOR "Au", WHERE REQ'D.  
3. SEE STRUCTURAL STEEL GENERAL NOTES FOR "Vu" (GRAVITY LOAD ONLY).  
4. INCREASE WELD SIZE BY AMOUNT OF GAP.  
5. SIMILAR DETAIL APPLIES AT LOWER CORNER OF BRACE.

3 TYPICAL BRACED FRAME CONNECTION DETAIL  
S30-01



**NOTES:**  
1. SEE BRACED FRAME ELEVATION FOR "Pu"  
2. INCREASE WELD SIZE BY AMOUNT OF GAP  
3. PROVIDE L3x3x1/4 KICKER OR BEAM AT ROOF, SEE PLAN. WELD ANGLE ALL AROUND WITH 3/16\"/>

4 TYPICAL BRACED FRAME CONNECTION DETAIL  
S30-01

**STEEL BRACED FRAME NOTES:**  
1. DESIGN OF BRACED FRAME CONNECTIONS IS A DEFERRED SUBMITTAL THAT SHALL BE SEALED, SIGNED, AND DATED BY A STRUCTURAL ENGINEER REGISTERED IN THE PROJECT STATE. ALL CONNECTIONS SHALL BE DESIGNED TO DEVELOP THE FORCES INDICATED ON THE BRACED FRAME ELEVATIONS.  
2. "Pu" INDICATES ULTIMATE BRACE FORCE (KIPS) IN TENSION (+) OR COMPRESSION (-).  
3. "Vu" INDICATES ULTIMATE SHEAR FORCE (KIPS) DOWNWARD (+) OR UPWARD (-).  
4. "Au" INDICATES ULTIMATE DRAG FORCE (KIPS) IN TENSION (+) OR COMPRESSION (-).  
5. FORCES AND MEMBERS ARE SYMMETRICAL ABOUT CENTERLINES.

Order Plans @

WWW.LDILine.com