

**CONSULTANTS**

**civil**  
Braslowe Land Planning  
15 Simpson St NW, Atlanta, GA 30308

**STRUCTURAL**  
Uzun+Coyle  
1230 Peachtree St. NE, Suite 2500 Atlanta, GA 30309

**MEP**  
Matheson Ball & Associates  
11285 Elkins Rd., Suite F3, Roswell, GA 30076

**LANDSCAPING**  
Perkins+Will  
1315 Peachtree St. NE, Atlanta, GA 30309

**Civil/Arch**  
3103 Medlock Bridge Road, Norcross, GA 30071

**OWNER**  
KIPP Metro Atlanta Schools  
1445 Maynard Road NW, Atlanta, GA 30331

**ARCHITECT**

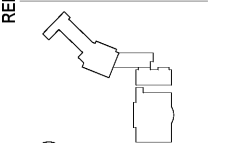
**CONTRACTOR**

**PROJECT**

**KIPP ATLANTA  
COLLEGIATE - Addition  
and Renovations**  
98 Anderson Ave NW  
Atlanta GA 30314

RELEASED FOR CONSTRUCTION 06/07/2019

**KEYPLAN**



**ISSUE CHART**

NO.	DATE	DESCRIPTION
1	06/07/2019	ISSUED FOR CONSTRUCTION

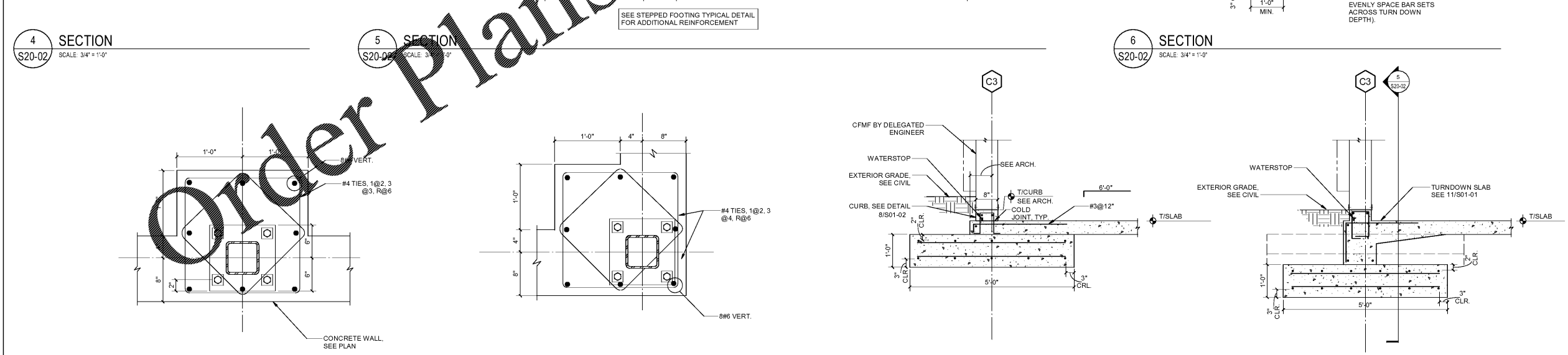
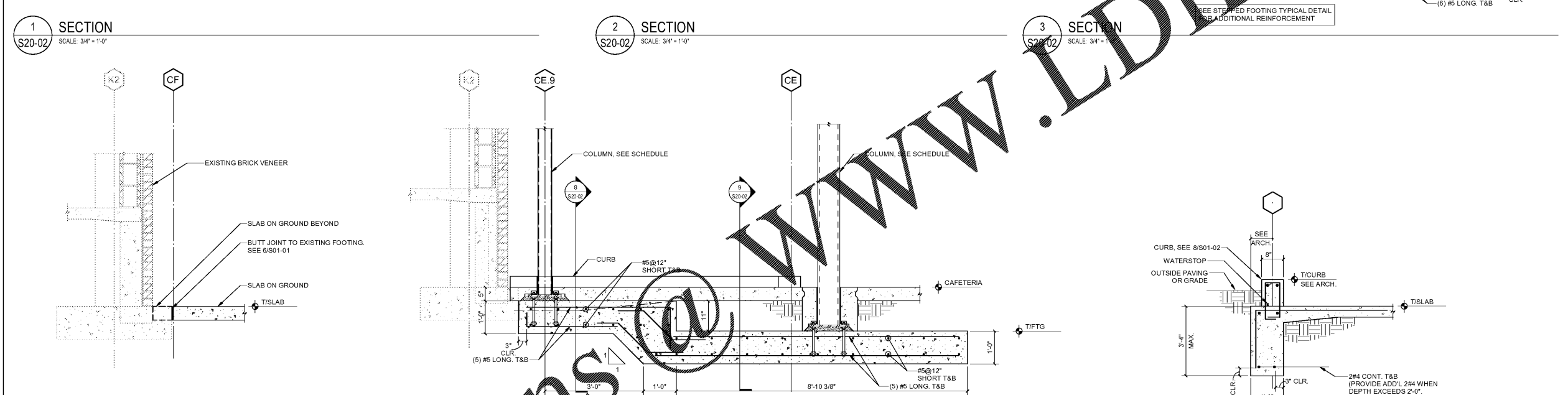
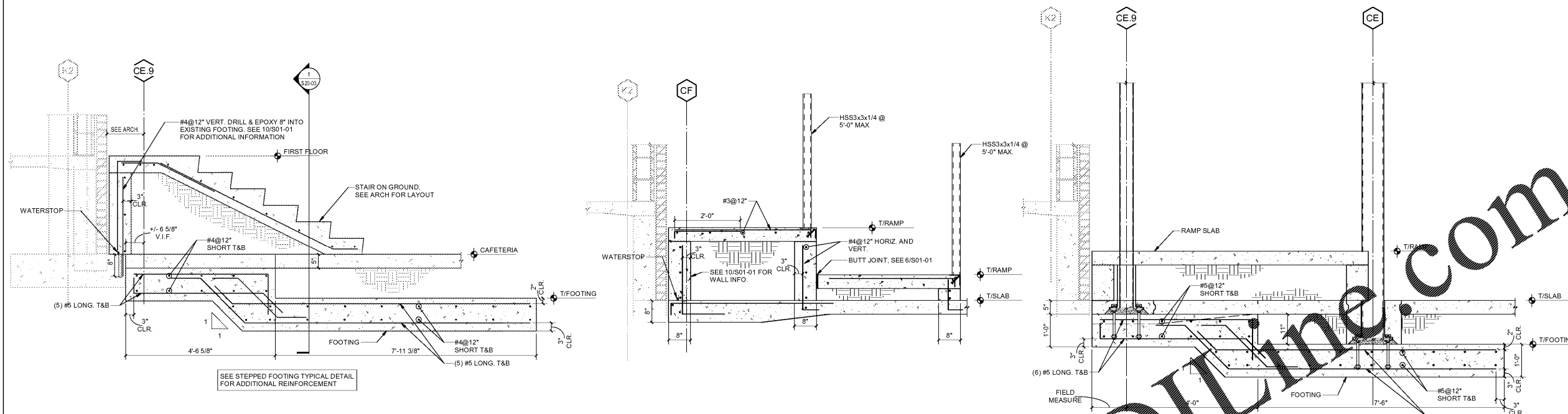


DATE	ISSUE	DATE
18220	ZZ	
SG	JH	

**FOUNDATION  
SECTIONS AND  
DETAILS**

**SHEET NUMBER**

**S20-02**



6/10/2019 2:29:44 PM C:\Users\zhong\Documents\18220\_KIPP\_S20-02\_R18\_2019\p1.dwg