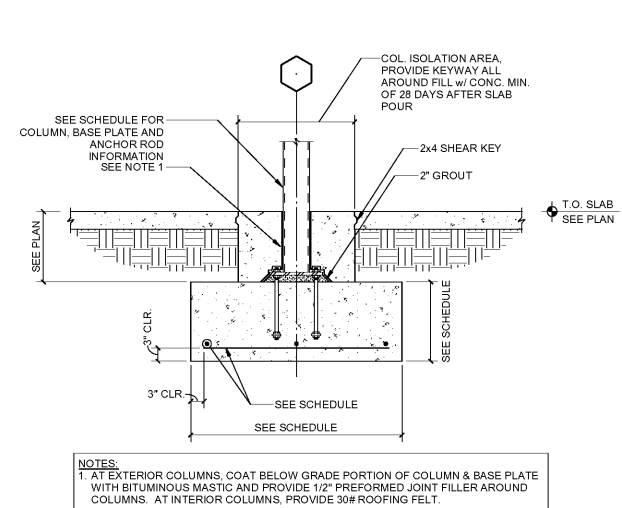


DATE	ISSUE	BY
18220	Job Number	ZZ
	Drawn	SG
	Checked	JH
	Approved	

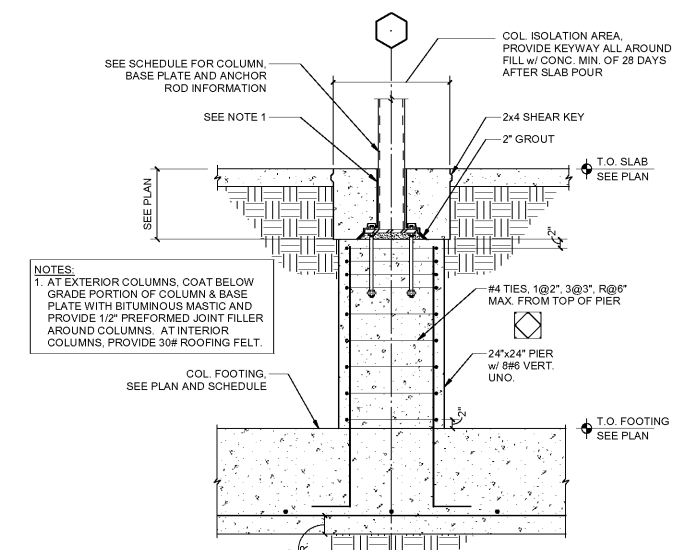
**FOUNDATION  
SECTIONS AND  
DETAILS**

**SHEET NUMBER**

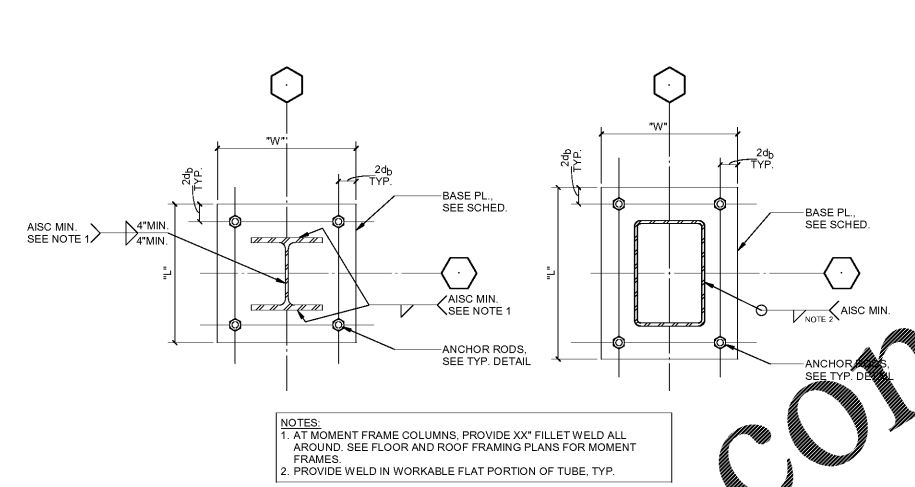
**S20-01**



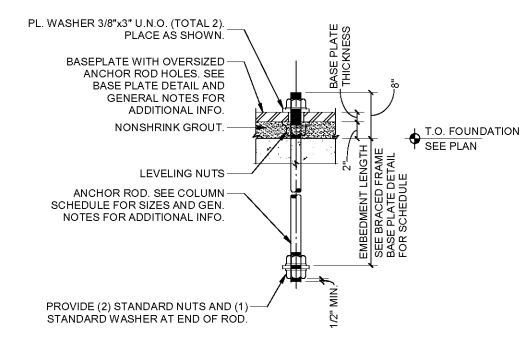
**1 TYPICAL HSS COLUMN AND FOOTING DETAIL**  
SCALE: 3/4" = 1'-0"



**2 TYPICAL CONCRETE PIER DETAIL**  
SCALE: 3/4" = 1'-0"

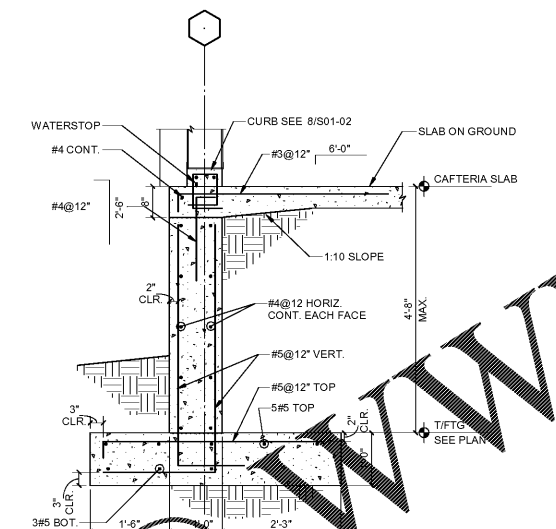


**3 TYPICAL BASE PLATE DETAIL**  
SCALE: 1 1/2" = 1'-0"

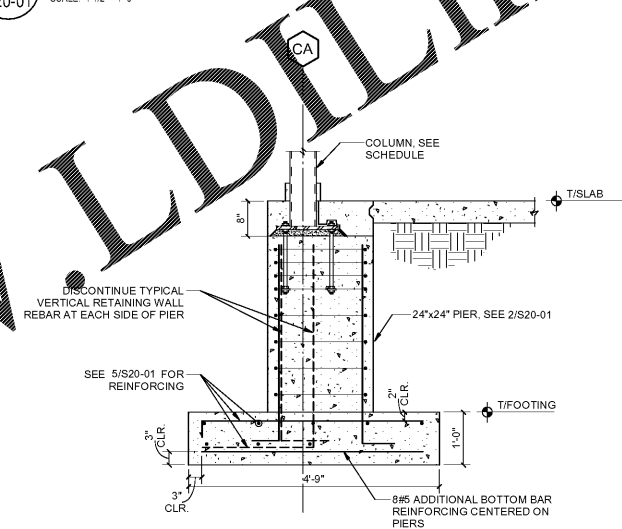


**4 ANCHOR ROD DETAIL**  
SCALE: 3/4" = 1'-0"

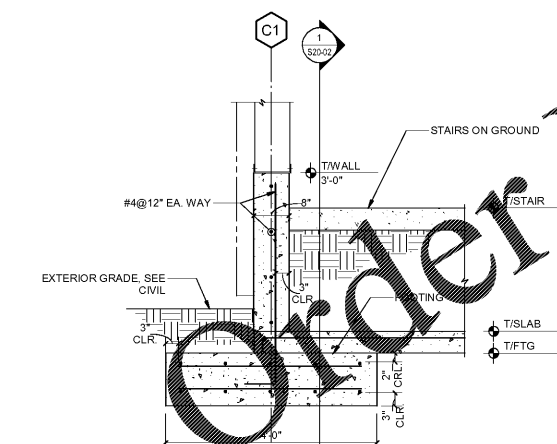
ANCHOR ROD	ANCHOR ROD PROJECTION ABOVE T.O. FDN	PL. WASHER	GROUT THICKNESS
3/4" Ø	8"	1/4"x2"	2"
1" Ø	8"	3/8"x3"	2"



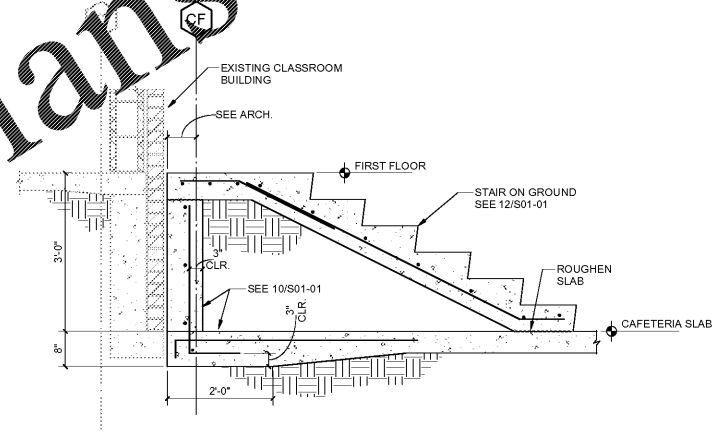
**5 SECTION**  
SCALE: 3/4" = 1'-0"



**6 SECTION**  
SCALE: 3/4" = 1'-0"



**7 SECTION AT KNEEWALL**  
SCALE: 3/4" = 1'-0"



**8 SECTION**  
SCALE: 3/4" = 1'-0"

MARK	FOOTING SIZE	BOTTOM REINF. TYP. U.N.O. (EA. WAY U.N.O.)
F4.0	4'-0"x4'-0"x1'-0"	5#5
F4x10	4'-0"x10'-0"x1'-0"	5#5 LONG, #5@12" SHORT
F5.0	5'-0"x5'-0"x1'-0"	6#5
F5.0L	5'-0"x5'-0"x2'-0"	9#6 T&B
F5.0x13.5	5'-0"x13'-6"x2'-0"	6#6 LONG, T&B, #5@9" SHORT T&B
F5x5.5	5'-0"x9'-6"x1'-0"	6#5 LONG, T&B, #5@12" SHORT T&B
F7.0L	7'-0"x7'-0"x2'-0"	9#6 TOP, 9#7 BOT
F8.0L	8'-0"x8'-0"x2'-0"	10#6 TOP, 9#7 BOT
F8.0x19	8'-0"x19'-0"x2'-0"	7#7 LONG, T&B, #5@9" SHORT T&B

Order Plans @ www.LDIDLine.com