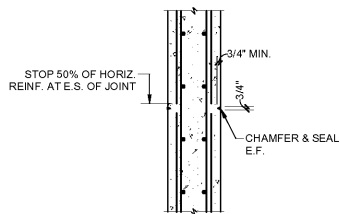
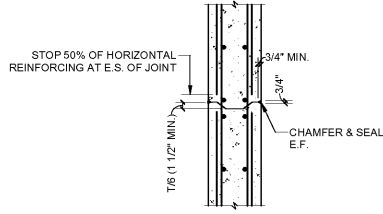


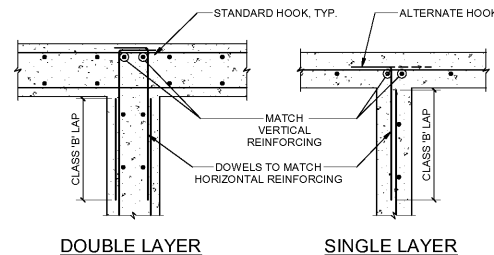
DATE	ISSUE	BY
18220	Job Number	ZZ
	Drawn	SG
	Checked	JH
	Approved	



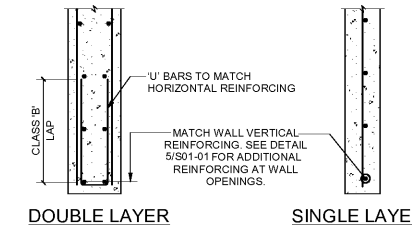
1 WALL VERTICAL CONTROL JOINT
S01-03 SCALE: 3/4" = 1'-0"



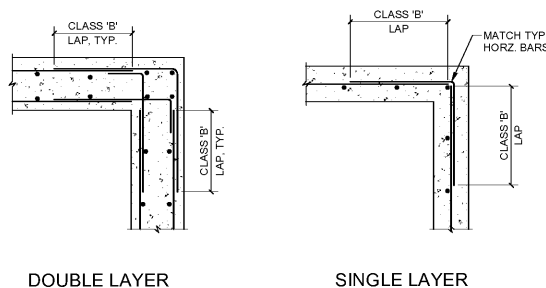
2 WALL VERTICAL CONST. JOINT
S01-03 SCALE: 3/4" = 1'-0"



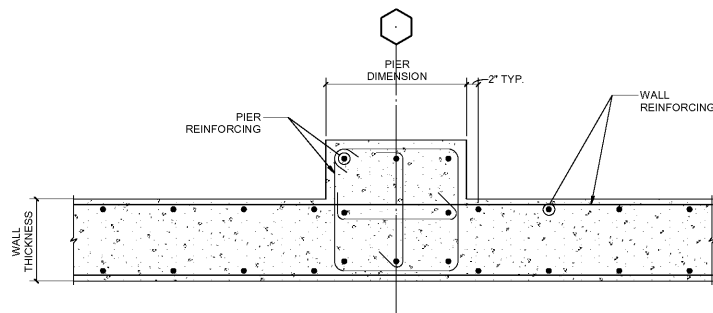
3 TYPICAL DETAIL AT WALL INTERSECTION
S01-03 SCALE: 3/4" = 1'-0"



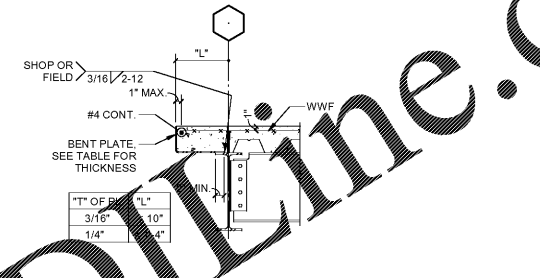
4 TYPICAL DETAIL AT WALL END
S01-03 SCALE: 3/4" = 1'-0"



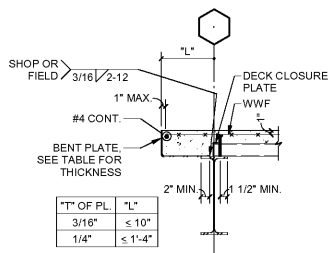
5 TYPICAL DETAIL AT WALL CORNER
S01-03 SCALE: 3/4" = 1'-0"



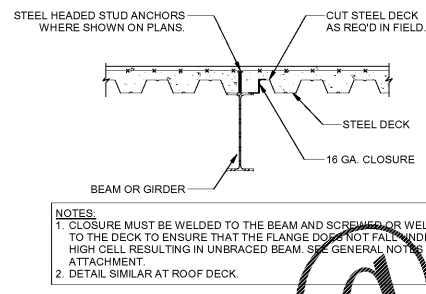
6 TYPICAL PILASTER DETAIL
S01-03 SCALE: 1" = 1'-0"



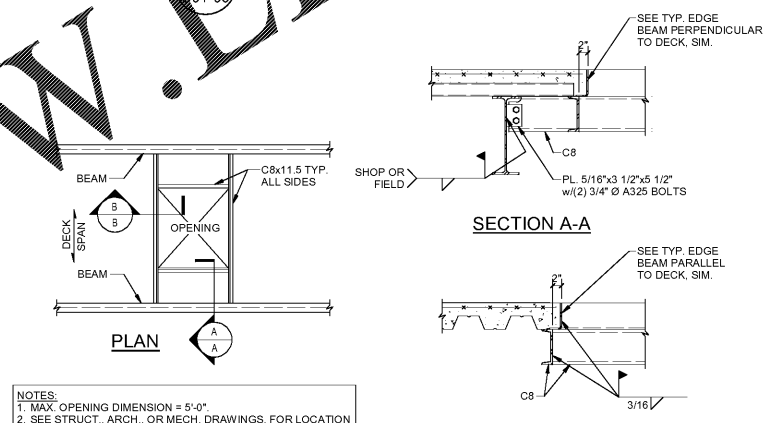
7 FLOOR EDGE BEAM PARALLEL TO DECK
S01-03 SCALE: 3/4" = 1'-0"



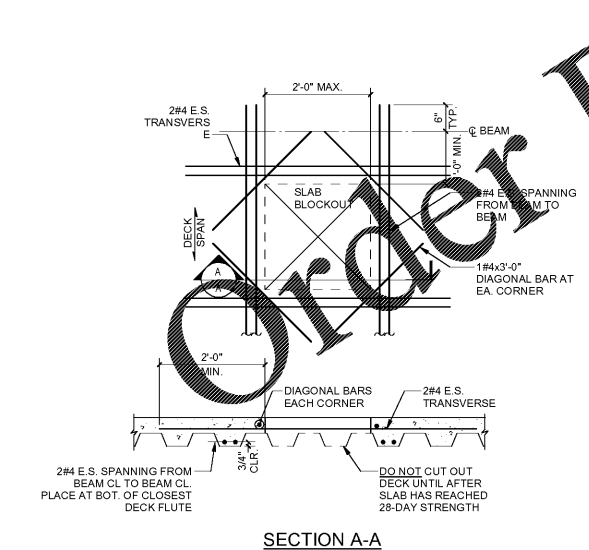
8 FLOOR EDGE BEAM PERPENDICULAR TO DECK
S01-03 SCALE: 3/4" = 1'-0"



9 TYPICAL DECK PARALLEL TO STEEL BEAM
S01-03 SCALE: 3/4" = 1'-0"



10 TYPICAL DETAIL AT COMPOSITE FLOOR OPENING
S01-03 SCALE: 3/4" = 1'-0"



11 TYPICAL DECK PENETRATION <= 2'-0\"/>

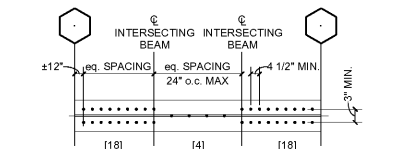
DECK PERPENDICULAR TO BEAM

CASE 1: FEWER STUDS THAN FLUTES
PLACE ONE STUD IN EVERY OTHER FLUTE STARTING AT BEAM ENDS. IF STUDS REMAIN, PLACE IN FLUTES NOT ALREADY HAVING A STUD, STARTING AT BEAM ENDS AND CONTINUING TOWARD BEAM CENTER. MAX. SPACING ALLOWED IS 24" o.c.

CASE 2: MORE STUDS THAN FLUTES
PLACE ONE STUD IN EACH FLUTE FOR ENTIRE LENGTH OF BEAM. IF STUDS REMAIN, PLACE A SECOND STUD IN FLUTES, STARTING AT BEAM ENDS AND CONTINUING TOWARD CENTER. SPACING BETWEEN PAIRS OF STUDS SHALL NOT BE LESS THAN 3".

NOTES:
1. ALL STUDS LOCATED IN DECK FLUTES SHALL BE PLACED IN STRONG POSITION. SEE STUD PLACEMENT DETAIL.

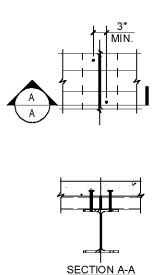
DECK PARALLEL TO BEAM



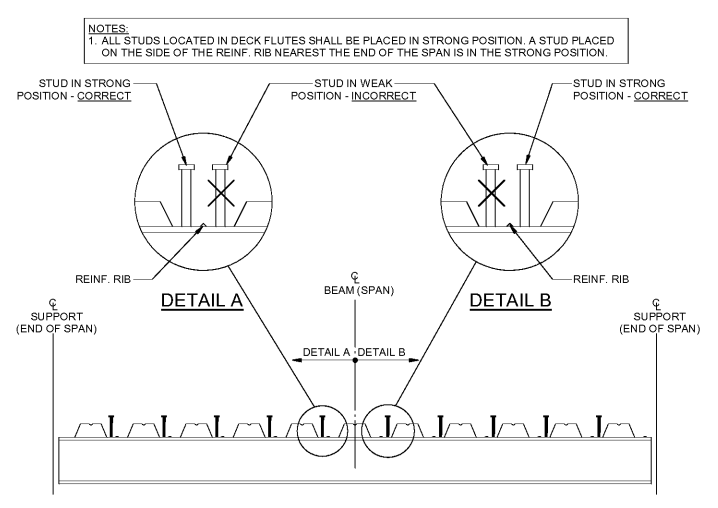
CASE 3

CASE 3: GIRDER WITH SEGMENTED STUD SPACING
PLACE SPECIFIED NUMBER OF STUDS IN EACH SEGMENT OF GIRDER AT EQUAL SPACES. IF SPACING IS LESS THAN 4 1/2", USE DOUBLE ROW AS REQ'D.

CASE 4: ALL CASES OF DECK PARALLEL WITH UNIFORM STUD SPACING OR FLAT SLABS
PLACE A SINGLE ROW OF STUDS ALONG GIRDER AT EQUAL SPACING. IF SPACING IS LESS THAN 4 1/2", USE DOUBLE ROW AS REQ'D, STARTING AT BEAM ENDS.



BUTT JOINTS



NOTES:
1. ALL STUDS LOCATED IN DECK FLUTES SHALL BE PLACED IN STRONG POSITION. A STUD PLACED ON THE SIDE OF THE REIN. RIB NEAREST THE END OF THE SPAN IS IN THE STRONG POSITION.

STUD PLACEMENT DETAIL