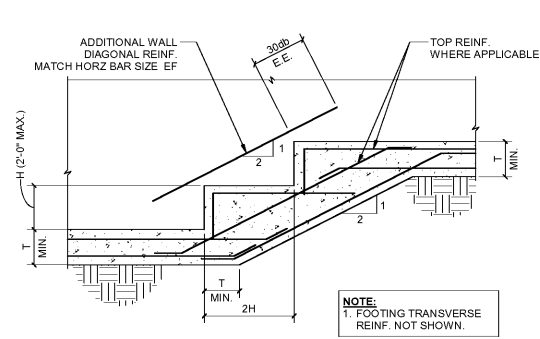
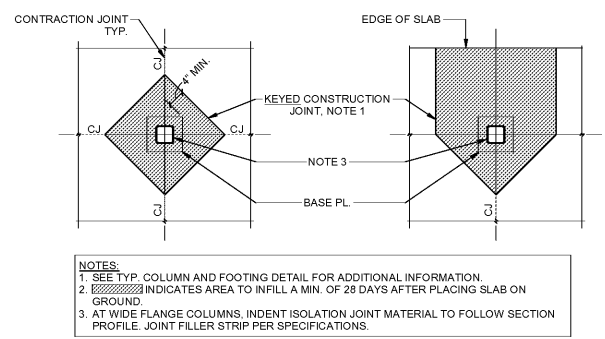


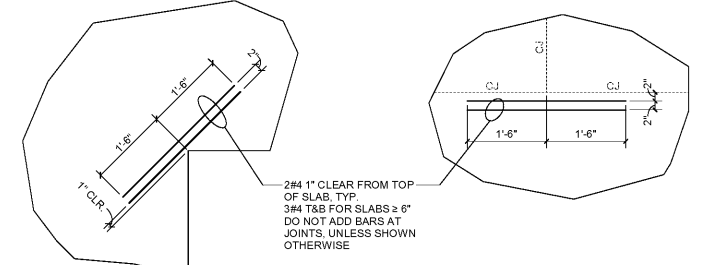
DATE	ISSUE	BY
18220	Job Number	ZZ
	Drawn	ZZ
	Checked	SG
	Approved	JH



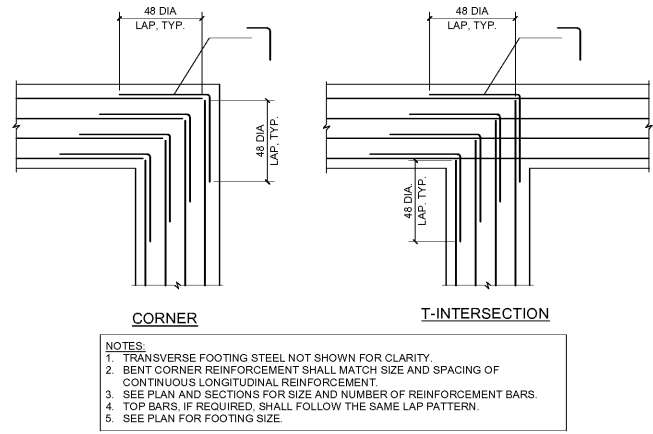
1 TYPICAL STEPPED FOOTING  
S01-01



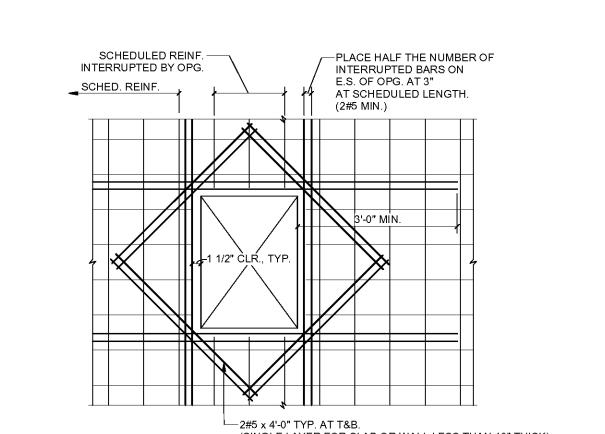
2 TYPICAL SLAB ISOLATION JOINT AT COLUMN  
S01-01



3 TYPICAL SLAB-ON-GROUND ADDITIONAL REINFORCING  
S01-01



4 TYPICAL FOOTING INTERSECTION PLAN DETAIL  
S01-01

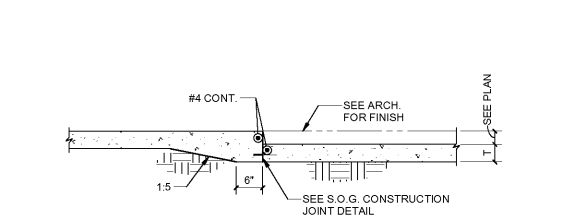


5 TYPICAL WALL OPENING  
S01-01

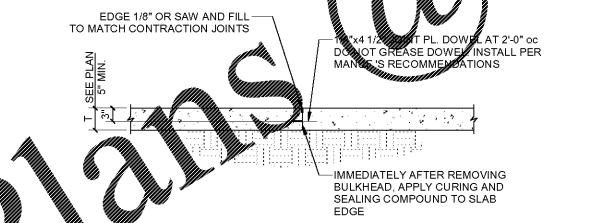


6 TYPICAL SLAB-ON-GROUND BUTT JOINT  
S01-01

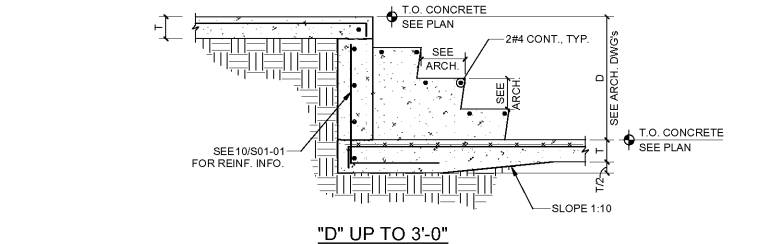
7 TYPICAL SLAB-ON-GROUND CONTRACTION JOINT  
S01-01



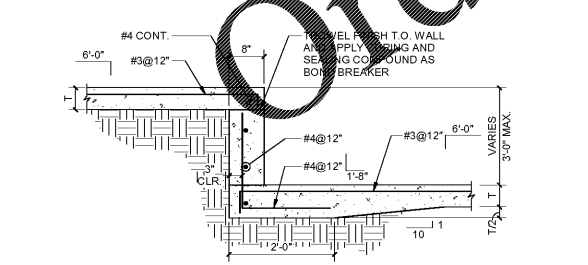
8 TYPICAL SLAB DEPRESSION  
S01-01



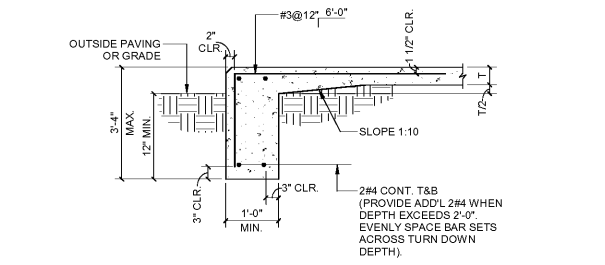
9 TYPICAL SLAB-ON-GROUND CONSTRUCTION JOINT  
S01-01



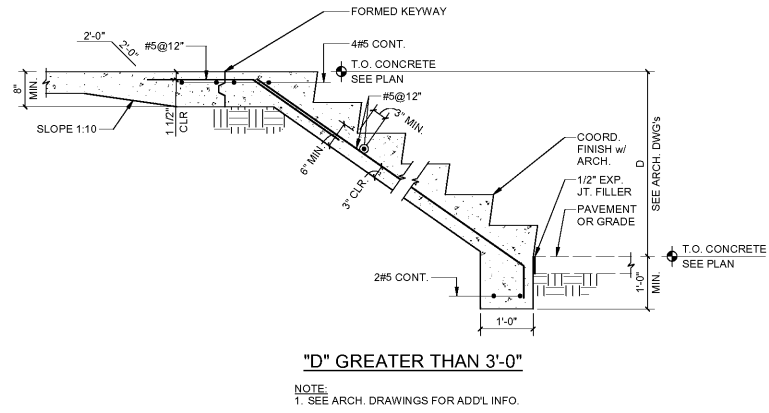
12 TYPICAL SECTION AT STAIRS-ON-GROUND  
S01-01



10 TYPICAL DETAIL AT STEP IN SLAB-ON-GROUND  
S01-01



11 TYPICAL SLAB-ON-GROUND TURN DOWN  
S01-01



12 TYPICAL SECTION AT STAIRS-ON-GROUND  
S01-01

Order Plans @ [www.LDILine.com](http://www.LDILine.com)

6/10/2019 2:29:23 PM C:\Users\zhong\Documents\18220\_KIPP\_S01-01\_R18\_2019\KIPP\_S01-01.dwg