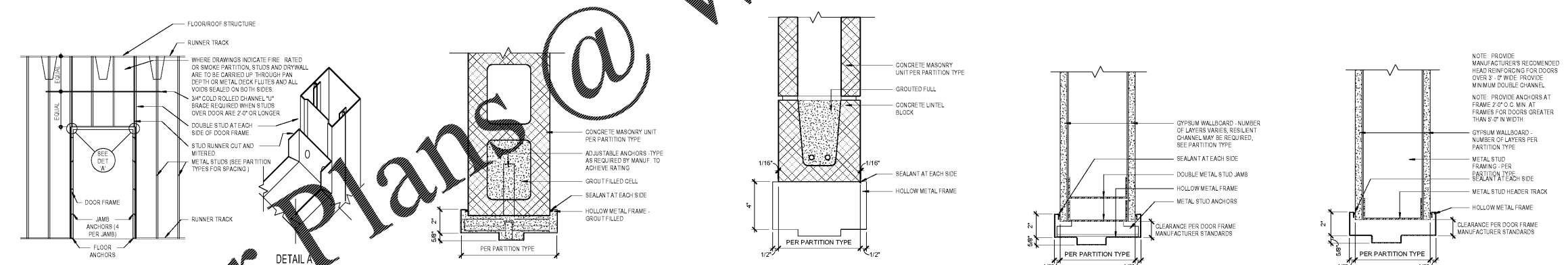


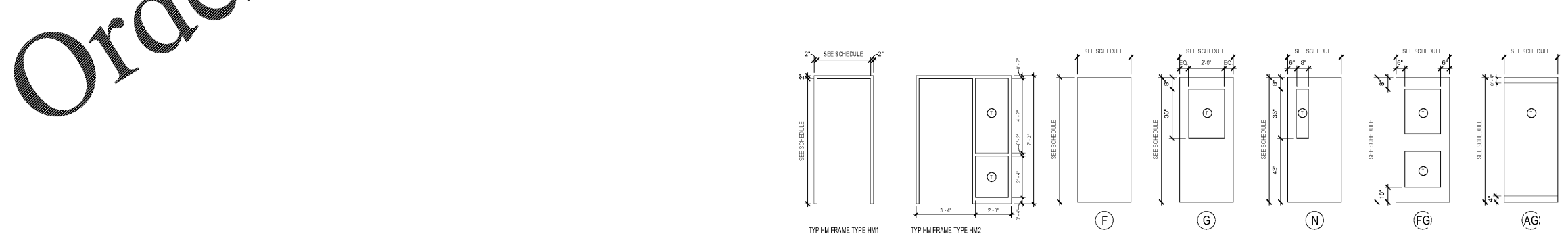
DATE	BY	DATE
Job Number	801660.000	
Drawn	Author	
Checked	Checker	
Approved	Approver	

**DOOR SCHEDULE AND  
FRAME DETAILS**

Mark	To Room Name	Fire Rating	Door Type	Door Mt	Width	Height	Frame Type	Comments	Card Reader
01 - GYM									
G01A	LOBBY		FG	ALUM	6'-0"	7'-6"			YES
G01B	LOBBY		FG	ALUM	6'-0"	7'-6"			
G01C	LOBBY		FG	ALUM	6'-0"	7'-6"			
G01D	LOBBY		FG	ALUM	6'-0"	7'-6"			
G02	SCHOOL ROOM		F	HM	3'-0"	7'-0"		NEW DOOR IN EXISTING FRAME	
G03	OFFICE		G	WD	3'-0"	7'-0"	HM2		
00 - CAFETERIA									
C01A	CAFETERIA		AG		8'-0"	9'-3"			
C01B	CAFETERIA		AG		8'-0"	9'-3"			
C01C	CAFETERIA	45	FG	ALUM	6'-0"	7'-0"	HM1		YES
C01D	CAFETERIA		F	HM	6'-0"	7'-0"	HM1		
C03	WOMENS		F	WD	3'-0"	7'-0"	HM1		
C04	JAN		F	WD	3'-0"	7'-0"	HM1		
C05	CHAIR STORAGE		F	WD	7'-0"	7'-0"	HM1		
C06	MENS		F	WD	3'-0"	7'-0"	HM1		
STAGE									
S02	STAGE / BAND		F	WD	5'-0"	7'-0"	HM1	PAINT DOOR AND FRAME TO MATCH ADJACENT WALL, UNLESS NOTED OTHERWISE	
S07	STAGE / BAND		G	WD	3'-0"	7'-0"	HM1	PAINT DOOR AND FRAME TO MATCH ADJACENT WALL, UNLESS NOTED OTHERWISE	
S08	STAGE / BAND		F	WD	3'-0"	7'-0"	HM1		
S09	STAGE / BAND		F	WD	6'-0"	7'-0"	HM1	PAINT DOOR AND FRAME TO MATCH ADJACENT WALL, UNLESS NOTED OTHERWISE	
S10	STAGE / BAND		F	WD	3'-0"	7'-0"	HM1	PAINT DOOR AND FRAME TO MATCH ADJACENT WALL, UNLESS NOTED OTHERWISE	
S11	ELECT		F	WD	3'-0"	7'-0"	HM1	PAINT DOOR AND FRAME TO MATCH ADJACENT WALL, UNLESS NOTED OTHERWISE	
S02A	STAGE / BAND				3'-0"	7'-0"		DOOR IN OPERABLE PARTITION	
01 - FIRST FLOOR									
100	VESTIBULE		FG	ALUM	8'-0"	7'-0"			YES
100A	VESTIBULE		FG	ALUM	7'-0"	7'-0"			YES
102B	LOBBY		FG	ALUM	3'-0"	7'-0"			
103B	CONFERENCE		G	WD	3'-0"	7'-0"	HM1		
104	OFFICE		G	WD	3'-0"	7'-0"	HM1		
109	CORRIDOR		G	WD	3'-0"	7'-0"	HM1		
112	CONF		G	WD	3'-0"	7'-0"	HM1		
113	CONF		G	WD	3'-0"	7'-0"	HM1		
114	CLASSROOM		G	WD	3'-0"	7'-0"	HM1		
119	RECEPTION		G	WD	3'-0"	7'-0"	HM1		
129	LEARNING SPECIALISTS		G	WD	3'-0"	7'-0"	HM1		
131	LOUNGE		G	WD	3'-0"	7'-0"	HM1		
132	MOTHERS		F	WD	3'-0"	7'-0"	HM1		
140	KITCHEN		F	WD	3'-0"	7'-0"	HM1		
160	SOLER ROOM		F	HM	3'-0"	7'-0"		NEW DOOR IN EXISTING FRAME	
181A			SLIDING		18'-6"	8'-0"		SLIDING GRILLE	
181B			SLIDING		25'-6"	8'-0"		SLIDING GRILLE	
182	STAIR 4				8'-0"	7'-0"			
02 - SECOND FLOOR									
202	AUDITORIUM LOBBY		G	WD	3'-0"	7'-0"	HM1		
203A	AUDITORIUM LOBBY		G	WD	3'-0"	7'-0"	HM1	NEW DOOR IN EXISTING FRAME	
203B	AUDITORIUM LOBBY		G	WD	3'-0"	7'-0"	HM1	NEW DOOR IN EXISTING FRAME	
203C	CORRIDOR		G	WD	3'-0"	7'-0"	HM1	NEW DOOR IN EXISTING FRAME	
203D	CORRIDOR		G	WD	6'-0"	7'-0"	HM1	NEW DOOR IN EXISTING FRAME	
210	RADIUM		G	WD	3'-0"	7'-0"	HM1		
211A	CLASSROOM		G	WD	3'-0"	7'-0"	HM1		
211B	CLASSROOM		G	WD	3'-0"	7'-0"	HM1		
211C	CLASSROOM		G	WD	3'-0"	7'-0"	HM1		
214	TEACHER'S PREF		G	WD	3'-0"	7'-0"	HM1		
THIRD FLOOR									
300	CORRIDOR		G	WD	3'-0"	7'-0"	HM1		
301	OFFICE		AG		3'-0"	7'-10"		GWC 2	
302	OFFICE		AG		3'-0"	7'-10"		GWC 2	
303	OFFICE		AG		3'-0"	7'-10"		GWC 2	
304	OFFICE		AG		3'-0"	7'-10"		GWC 2	
305	OFFICE		AG		3'-0"	7'-10"		GWC 2	
306	OFFICE		AG		3'-0"	7'-10"		GWC 2	
307	OFFICE		AG		3'-0"	7'-10"		GWC 2	
308	OFFICE		AG		3'-0"	7'-10"		GWC 2	
309	OFFICE		AG		3'-0"	7'-10"		GWC 2	
310	STOR		F	WD	3'-0"	7'-0"	HM1	PAINT TO MATCH ADJACENT WALL, UNLESS NOTED OTHERWISE	
361	OFFICE		AG		3'-0"	7'-10"		GWC 2	
362	OFFICE		AG		3'-0"	7'-10"		GWC 2	
363	OFFICE		AG		3'-0"	7'-10"		GWC 2	



① TYPICAL FRAMING AT DOOR OPENING 3" = 1'-0"  
 ② TYPICAL JAMB AT CMU 3" = 1'-0"  
 ③ TYPICAL HEAD AT CMU 3" = 1'-0"  
 ④ TYPICAL HM1 JAMB AT GWB 3" = 1'-0"  
 ⑤ TYPICAL HM1 HEAD DETAIL AT GWB 3" = 1'-0"



① DOOR & FRAME TYPES 1/8" = 1'-0"

Order Plans @ WWW.LDOnline.com