

THIS SHEET PLOTS ON 22" x 34" ANSI D 1/2" = 1' SCALE. THIS DOCUMENT IS THE PROPERTY OF CROFT & ASSOCIATES, P.C. IT IS TO BE USED ONLY FOR THE SPECIFIC PROJECT REFERRED TO OR IDENTIFIED HEREIN AND IS NOT TO BE USED ON OTHER PROJECTS, IN WHOLE OR IN PART, WITHOUT THE EXPRESS WRITTEN AGREEMENT OF CROFT & ASSOCIATES, P.C.

ROOM FINISH SCHEDULE														
ROOM	ROOM NAME	FLOOR MATERIAL	FLOOR FINISH	FLOOR COLOR	BASE MATERIAL	BASE FINISH	BASE COLOR	WALL MATERIAL	WALL FINISH	WALL COLOR	CEILING MATERIAL	CEILING FINISH	CEILING COLOR	REMARKS
101	WOMEN	CONC	EPOXY	Q28-21	CMU	EPOXY	Q28-21	CMU	ANIT-GRAFFITI COATING	CLEAR	GWB	ANTI-GRAFFITI PAINT	SW7554	NOTE 1, 2, 3; PAINT ALL WALLS & CEILINGS
102	FAMILY	CONC	EPOXY	Q28-21	CMU	EPOXY	Q28-21	CMU	ANIT-GRAFFITI COATING	CLEAR	GWB	ANTI-GRAFFITI PAINT	SW7554	NOTE 1, 2, 3; PAINT ALL WALLS & CEILINGS
103	MEN	CONC	EPOXY	Q28-21	CMU	EPOXY	Q28-21	CMU	ANIT-GRAFFITI COATING	CLEAR	GWB	ANTI-GRAFFITI PAINT	SW7554	NOTE 1, 2, 3; PAINT ALL WALLS & CEILINGS
104	CHASE	CONC	SEALED CONC	-	-	-	-	CMU	ANIT-GRAFFITI COATING	CLEAR	GWB	ANTI-GRAFFITI PAINT	SW7554	NOTE 1, 2, 3, 4; PAINT ALL WALLS
105	IRRIGATION	CONC	SEALED CONC	-	-	-	-	CMU	-	-	EXP STRUC	-	-	NOTE 4
106	ELECT.	CONC	SEALED CONC	-	-	-	-	CMU	-	-	EXP STRUC	-	-	NOTE 4

- NOTES:**
- CONCRETE FLOOR AND BASE TO HAVE EPOXY FINISH. SEE A-101 FOR SPECIFICATION.
 - PAINT INTERIOR WALLS WITH ANTI-GRAFFITI MASONRY COATING.
 - CEILING TO BE MOISTURE RESISTANT GWB, PAINTED WITH ANTI-GRAFFITI PAINT.
 - SEAL WALL/FLOOR JOINT CONTINUOUS.
 - SEALED CONCRETE IS W.R. MEADOWS, 'AIR-SHIELD LM' OR AIR-SHIELD LM (ALL SEASON), OR APPROVED EQUAL.

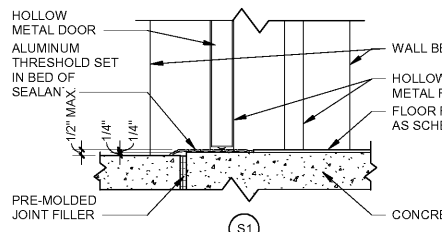
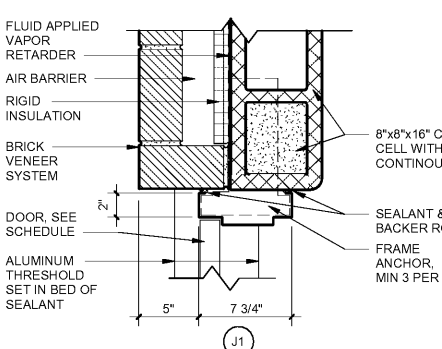
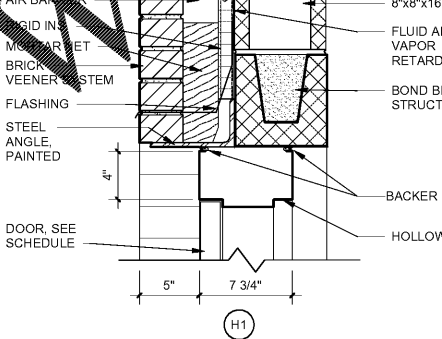
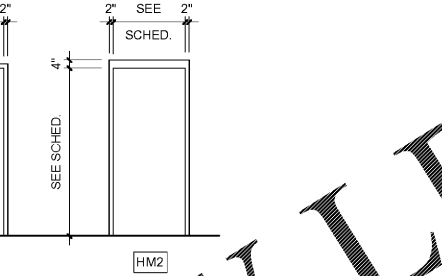
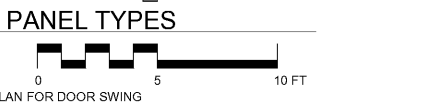
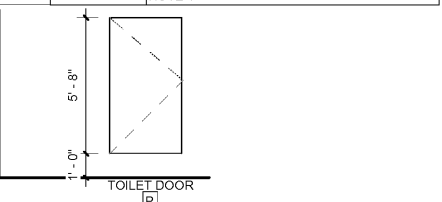
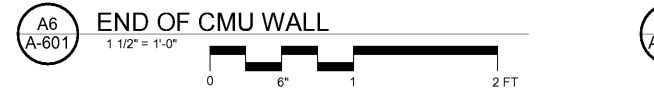
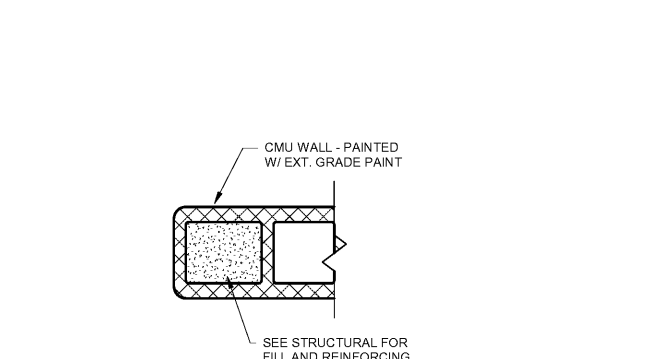
DOOR AND FRAME SCHEDULE														
DOOR NUMBER	DOOR PANEL(S)					DOOR FRAME					FIRE RATING (MINUTES)	HARDWARE	REMARKS	
	TYPE	# OF PANEL(S)	WIDTH	HEIGHT	THICKNESS	TYPE	MATERIAL	FINISH	HEAD	JAMB				SILL
101A	F	1	3'-0"	7'-0"	1 3/4"	HM2	HM	PAINT	H1	J1	S1	-	3	HARDWARE TO MEET A.D.A. STANDARDS, NOTE 2
101B	P	1	3'-0"	6'-8"	1"	HDPE	BLACK	-	-	-	J2, J3	-	5	SEE NOTE 1 & 3
101C	P	1	2'-8"	6'-8"	1"	HDPE	BLACK	-	-	-	J2, J3	-	5	SEE NOTE 1 & 3
102A	F	1	3'-0"	7'-0"	1 3/4"	HM2	HM	PAINT	H1	J1	S1	-	4	HARDWARE TO MEET A.D.A. STANDARDS, NOTE 2
103A	F	1	3'-0"	7'-0"	1 3/4"	HM2	HM	PAINT	H1	J1	S1	-	3	HARDWARE TO MEET A.D.A. STANDARDS, NOTE 2
103B	P	1	3'-0"	6'-8"	1"	HDPE	BLACK	-	-	-	J2, J3	-	5	SEE NOTE 1 & 3
104A	F	1	3'-0"	7'-0"	1 3/4"	HM2	HM	PAINT	H1	J1	S1	-	2	HARDWARE TO MEET A.D.A. STANDARDS, NOTE 2
105A	F	1	3'-0"	7'-0"	1 3/4"	HM2	HM	PAINT	H1	J1	S1	-	1	HARDWARE TO MEET A.D.A. STANDARDS, NOTE 2
106A	F	1	3'-0"	7'-0"	1 3/4"	HM2	HM	PAINT	H1	J1	S1	-	1	HARDWARE TO MEET A.D.A. STANDARDS, NOTE 2
Grand total: 9														

HARDWARE SETS							
SET	DOOR NO.	ITEM	MFG. DESIGNATION	FINISH	MANUFACTURER		
1	105A, 106A	CONTINUOUS HINGE	780-224HD-RBCC	MIL	HAGER COMPANIES		
		STOREROOM LOCK	3480 x ARC x IC	626	HAGER COMPANIES		
		CORE	3969	626	HAGER COMPANIES		
		CLOSER	5100 x HDSA	689	HAGER COMPANIES		
		LATCH GUARD	341D	600	HAGER COMPANIES		
		KICK PLATE	194S	630	HAGER COMPANIES		
		THRESHOLD	412S	MIL	HAGER COMPANIES		
		DRIP GUARD	810S	MIL	HAGER COMPANIES		
		DOOR SWEEP	750S	MIL	HAGER COMPANIES		
		WEATHERSTRIP	881S	MIL	HAGER COMPANIES		
		2	104A	CONTINUOUS HINGE	780-224HD-RBCC	MIL	HAGER COMPANIES
				CLASSROOM LOCK	3470 x ARC x IC	626	HAGER COMPANIES
				CORE	3969	626	HAGER COMPANIES
				CLOSER	5100 x HDSA	689	HAGER COMPANIES
LATCH GUARD	341D			600	HAGER COMPANIES		
KICK PLATE	194S			630	HAGER COMPANIES		
THRESHOLD	412S			MIL	HAGER COMPANIES		
DRIP GUARD	810S			MIL	HAGER COMPANIES		
DOOR SWEEP	750S			MIL	HAGER COMPANIES		
WEATHERSTRIP	881S			MIL	HAGER COMPANIES		
3	101A, 103A			CONTINUOUS HINGE	780-224HD-RBCC	MIL	HAGER COMPANIES
				MAGNETIC LOCK	2953	630	HAGER
				PUSH	30S 8" x 16"	630	HAGER COMPANIES
				PULL	H33J 8" x 16"	630	HAGER COMPANIES
		CLOSER	5100 x HDSA	689	HAGER COMPANIES		
		MOP PLATE	194S	630	HAGER COMPANIES		
		KICK PLATE	194S	630	HAGER COMPANIES		
		WEATHERSTRIP	881S	MIL	HAGER COMPANIES		
		KEY SWITCH	29KS	630	HAGER COMPANIES		
		MORTISE CYLINDER	3902 x IC	626	HAGER COMPANIES		
		CORE	3969	626	HAGER COMPANIES		
		EXIT SWITCH	2972	630	HAGER COMPANIES		
		POWER SUPPLY	2903	600	HAGER COMPANIES		
		DOORS TO BE OPERATED REMOTELY OR TIMED LOCKING. LOCAL KEY BI-PASS BY KEY SWITCH.					
4	102A	CONTINUOUS HINGE	780-224HD-RBCC	MIL	HAGER COMPANIES		
		MAGNETIC LOCK	2953	630	HAGER		
		PRIVACY LOCK	3400 SERIES	630	HAGER COMPANIES		
		CLOSER	5100 x HDSA	689	HAGER COMPANIES		
		MOP PLATE	194S	630	HAGER COMPANIES		
		KICK PLATE	194S	630	HAGER COMPANIES		
		WEATHERSTRIP	881S	MIL	HAGER COMPANIES		
		KEY SWITCH	29KS	630	HAGER COMPANIES		
		MORTISE CYLINDER	3902 x IC	626	HAGER COMPANIES		
		CORE	3969	626	HAGER COMPANIES		
		EXIT SWITCH	2972	630	HAGER COMPANIES		
		POWER SUPPLY	2903	600	HAGER COMPANIES		
		DOOR TO BE OPERATED REMOTELY OR TIMED LOCKING. LOCAL KEY BI-PASS BY KEY SWITCH.					
		5	101B, 101C, 103B	ALL HARDWARE BY TOILET PARTITION MANUFACTURER			

- NOTES:**
- DOOR AND STOP FOR TOILET STALLS TO BE FURNISHED BY TOILET PARTITION MANUFACTURER.
 - DOORS & FRAMES TO BE FINISHED WITH ANTI-GRAFFITI PAINT FORMULATED FOR EXTERIOR METAL APPLICATION. SEALANT CONTINUOUS AT JUNCTION OF FRAME & BRICK, INSIDE AND OUTSIDE.
 - TOILET PARTITION DOORS TO BE HIGH PRESSURE HDPE WITH BEVELED SMOOTH EDGES (COMMERCIAL DUTY) WITH CONTINUOUS HINGE.

- GENERAL NOTES:**
- DOORS/HARDWARE HANDLES, PULLS, LATCHES, LOCKS AND OTHER OPERATING DEVICES ON ACCESSIBLE DOORS SHALL HAVE A SHAPE THAT IS EASY TO GRASP WITH ONE HAND AND DOES NOT REQUIRE TIGHT GRASPING, TIGHT PINCHING OR TWISTING OF THE WRIST TO OPERATE. LEVER-OPERATED MECHANISMS, PUSH-TYPE MECHANISMS AND U-SHAPED HANDLES ARE ACCEPTABLE DESIGN.
 - EXIT DOORS SHALL NOT BE SUBJECT TO THE USE OF A KEY OR REQUIRE SPECIAL KNOWLEDGE TO OPERATE.

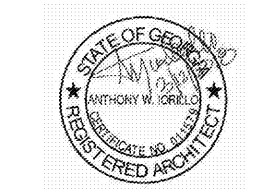
- APPROVED HARDWARE MANUFACTURERS LIST:**
- HINGES (CONTINUOUS, HEAVY DUTY): HAGER COMPANIES, BOMMER, ZERO LOCKSETS & CYLINDER HANGERS: HAGER COMPANIES - 3400 SERIES, MAGNETIC LOCKS: HAGER, SDC, RCI HAGER COMPANIES, SCHLAGE, SARGENT CYLINDERS AND KEYS: HAGER COMPANIES, SDC, RCI HAGER COMPANIES, ROCKWOOD, TRIMCO PUSH/PULL PLATES: HAGER COMPANIES, ROCKWOOD, TRIMCO KEYS AND HOLDERS: HAGER COMPANIES, ROCKWOOD, BURNS KEYS SWITCHES: HAGER COMPANIES, SDC, RCI HAGER COMPANIES, SDC, MS SEDCO POWER SUPPLIES: HAGER COMPANIES, SDC, RCI HAGER COMPANIES, SDC, MS SEDCO DOOR GASKETING & WEATHERSTRIP: HAGER COMPANIES, K.N. CROWDER, REESE HAGER COMPANIES, K.N. CROWDER, REESE HAGER COMPANIES, ROCKWOOD, TRIMCO LOCKERS: HAGER COMPANIES, ROCKWOOD, TRIMCO LOCKERS: HAGER COMPANIES, ROCKWOOD, TRIMCO KEY CABINET (IF PROVIDED): HAGER COMPANIES, ROCKWOOD, TRIMCO



- FINISHES:**
- EXTERIOR:**
 BRICK VENEER: BORAL BRICK, 'KIMBERLY', MODULAR
 MORTAR: ARGOS COLOR: KHAKI GROUT
 METAL ROOF: PAC-CLAD PETERSEN, 18" INTEGRAL PANELS, 24 GA. G-90 GALV. STEEL, COLOR: 'COLONIAL RED'
 FASCIA: PAC-CLAD PETERSEN, FLUSH ALUMINUM PANELS, COLOR: 'SANDSTONE'
 SOFFIT: PAC-CLAD PETERSEN, PAC-750 SOFFIT PANELS, ALTERNATING SOLID AND AIR VENT PANELS, COLOR: 'SANDSTONE'
 GUTTERS & DOWNSPOUTS: ALUMINUM, COLOR: MATCH FASCIA - 'SANDSTONE'
 DOORS & FRAMES: SHERWIN WILLIAMS, 'CARRIAGE DOOR' SW7594
 SEALANT/CAULKING: MATCH ADJACENT COLOR
 GLASS BLOCK: PITTSBURGH CORNING, 'VISTABRIK', SOLID GLASS BLOCK, 8"x8"x3"
 CAST STONE CAP: MELTON STONE, PRECAST CAP, 12"x4"x16" WITH TWO FINISHED ENDS
 PLYWOOD: SHERWIN WILLIAMS, 'STEAMED MILK' SW7554
 BATTEN STRIPS: SHERWIN WILLIAMS, 'STEAMED MILK' SW7554
 CONCRETE BLOCK: GMS, OLDCASTLE, 8"x8"x16" 2" WALL, COLOR: STANDARD GRAY
- INTERIOR:**
 ANTI-GRAFFITI COATING: SHERWIN WILLIAMS, 'K SILOXANE, CLEAR
 GWB CEILING: SHERWIN WILLIAMS, 'STEAMED MILK' SW7554
 EPOXY FLOOR: DURACON-ARTZ Q28-21
 EXPOSED WOOD BEAMS & TRUSSES: SHERWIN WILLIAMS, 'CHEYENNE RED' SW3043
 TOILET DOORS: HDPE, 'BLACK'
- GENERAL NOTES:**
- ALL DOOR HARDWARE TO BE HANDICAP ACCESSIBLE. PROTECTION PLATE: SEE HARDWARE SCHEDULE FOR KICK PLATES, MOP PLATES, AND ARMOR PLATES. LOCATE PER HARDWARE SETS.
 - UNLESS OTHERWISE NOTED, ALL DOOR THICKNESSES TO BE 1 3/4".
 - SEE SIGNAGE DETAIL FOR SIGNAGE INFORMATION, A-003.
 - SEE HARDWARE SCHEDULE FOR DOOR CLOSER LOCATIONS.
 - ALL LOCKING EXIT DOORS ARE TO HAVE EXIT DEVICES, MUST NOT BE UNLOCKED BY KEY FROM THE INSIDE OF THE BUILDING, AND MUST SWING IN THE DIRECTION OF EGRESS.
 - ALL DOOR M.D. DOORS AND FRAMES TO BE EXTENDERS WITH TOP AND BOTTOM EDGES CLOSED FLUSH; CECO T-3, OR APPROVED EQUAL.
 - ALL DOOR FRAMES ARE TO BE 16 GA AND FULLY WELDED AROUND ENTIRE FRAME PROFILE, WELDS GROUND SMOOTH. LOCK DOWN FRAME NOT ACCEPTABLE.
 - DOOR INSULATED SDI LEVEL III EXTRA HD MODEL 2 SEAMLESS 16 GAUGE 20 PSI FRAME-IN-PLACE POLYURETHANE CORE WITH STEEL STIFFENERS.
 - AT ALL CONCRETE/CMU WALLS, LOCATE ALL WINDOW AND/OR DOOR FRAMES 8" FROM ADJACENT WALL TO BACK OF FRAME, U.N.O.



Croft & Associates
 3400 Blue Springs Road, Suite 200
 Kennesaw, Georgia 30144
 770.529.7714 (p) 770.529.7716 (f)
 www.croftandassociates.com



OWNER
 CITY OF ACWORTH
 4415 SENATOR RUSSELL AVENUE
 ACWORTH, GEORGIA 30101



DURR FIELD
 4757 - 4805 SCHOOL STREET
 ACWORTH, GEORGIA 30101

No.	Date	Description
0	2018-03-12	ISSUED FOR CONSTRUCTION
1	2016-07-22	100% Set
B	2016-07-15	IN-HOUSE REVIEW
ISSUANCE		

PROJECT NUMBER
16139
 DRAWN: _____ CHECKED: _____
 LAP: _____ AWI
 SHEET TITLE
FINISH SCHEDULE, DOOR SCHEDULE, ELEV. & DETAILS
 SHEET NO.

A-601