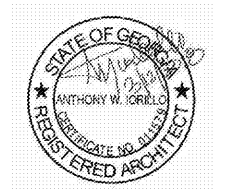


THIS SHEET PLOTS ON 22" x 34" ANSI D 1/2" = 1'-0"

P:\COMMERCIAL\2016 PROJECT IN-BOX\2016-139 New Restroom at Durr Field\5 - Drawing Info.c. Rev\16139 Durr Field Restrooms.rvt  
 © Copyright 2016 by Croft & Associates, PC. All rights reserved. This document is property of Croft & Associates, PC. It is to be used only for the specific project referred to or identified herein and is not to be used on other projects, in whole or in part, except by the express written agreement of Croft & Associates, PC.



**OWNER**  
**CITY OF ACWORTH**  
 4415 SENATOR RUSSELL AVENUE  
 ACWORTH, GEORGIA 30101

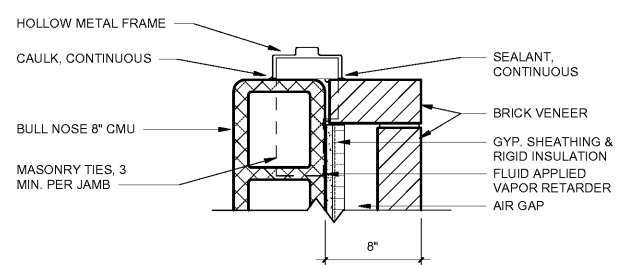


**DURR FIELD**  
 4757 - 4805 SCHOOL STREET  
 ACWORTH, GEORGIA 30101

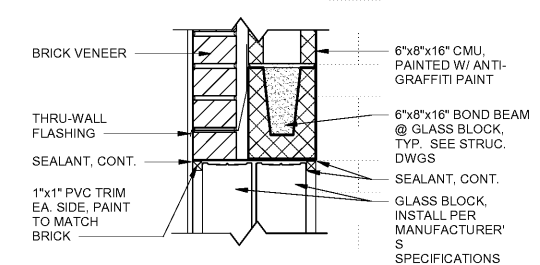
No.	Date	Description
0	2018-03-12	ISSUED FOR CONSTRUCTION
	2016-07-22	100% Set
B	2016-07-15	IN-HOUSE REVIEW
ISSUANCE		

**PROJECT NUMBER**  
**16139**  
 DRAWN: LAM  
 CHECKED: AWI  
**SHEET TITLE**  
**WALL SECTIONS, DETAILS**

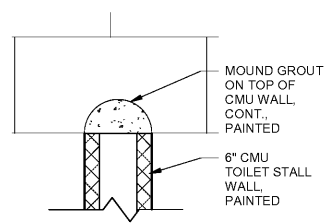
**SHEET NO.**  
**A-311**



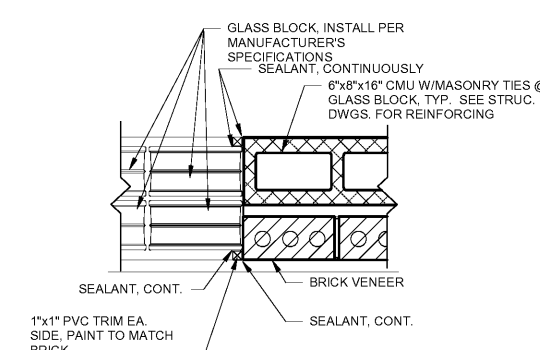
**K2**  
**A-311**  
 1 1/2" = 1'-0"  
 0 6" 1 2 FT



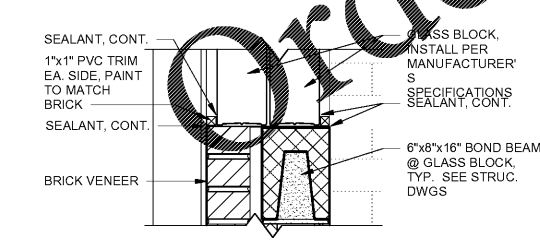
**H2**  
**A-311**  
 1 1/2" = 1'-0"  
 0 6" 1 2 FT



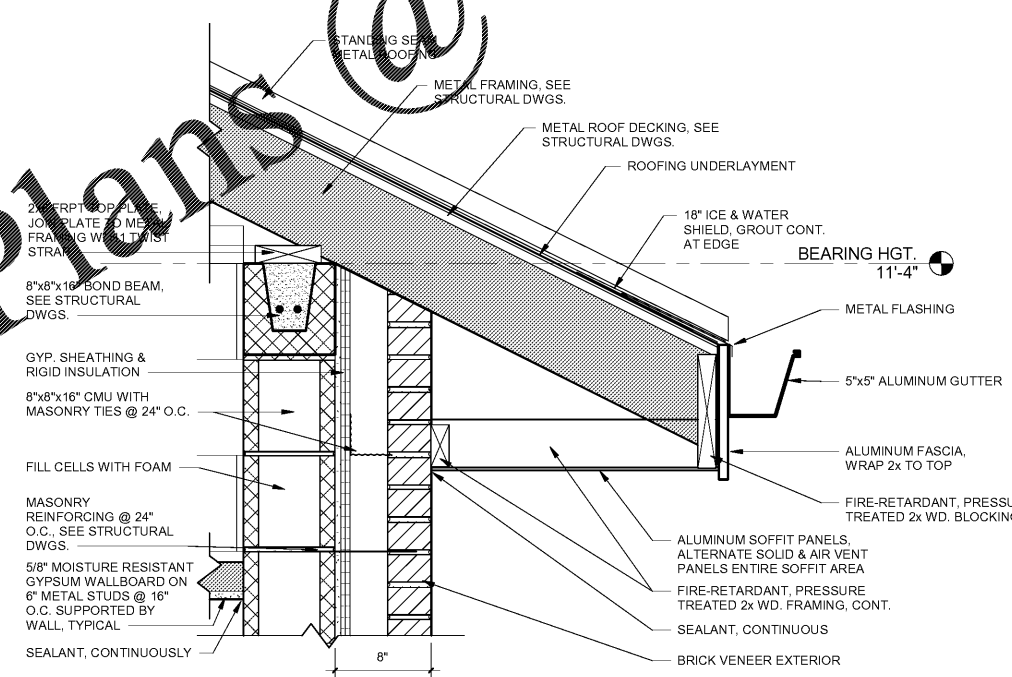
**H7**  
**A-311**  
 1 1/2" = 1'-0"  
 0 6" 1 2 FT



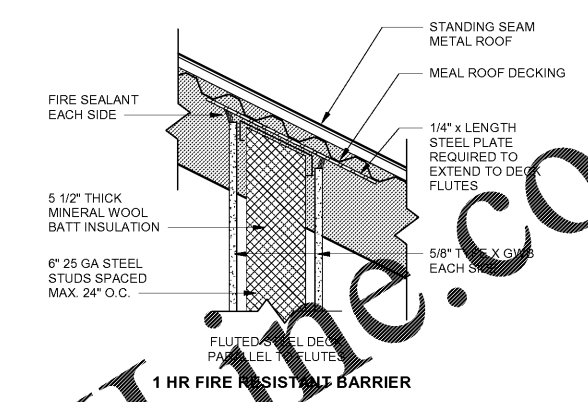
**D2**  
**A-311**  
 1 1/2" = 1'-0"  
 0 6" 1 2 FT



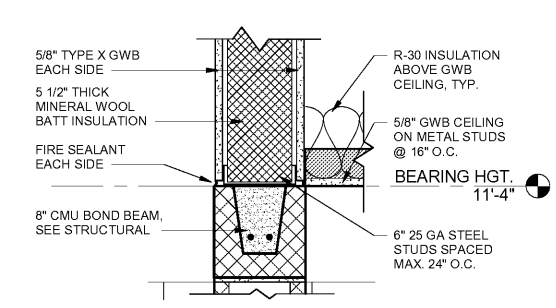
**A2**  
**A-311**  
 1 1/2" = 1'-0"  
 0 6" 1 2 FT



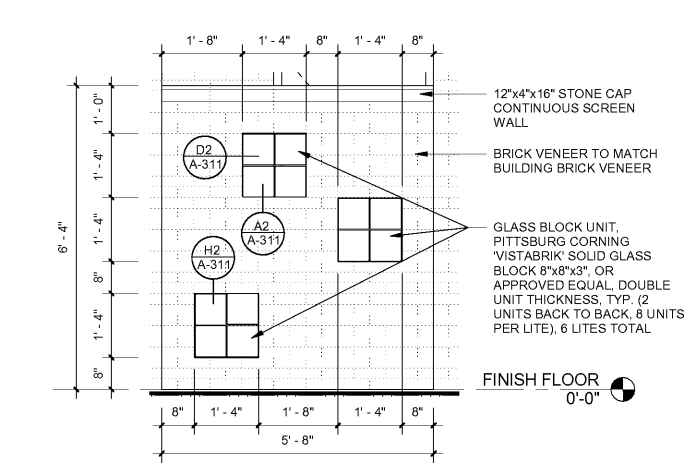
**A7**  
**A-311**  
 1 1/2" = 1'-0"  
 0 6" 1 2 FT



**J1**  
**A-311**  
 1 1/2" = 1'-0"  
 0 6" 1 2 FT



**F14**  
**A-311**  
 1 1/2" = 1'-0"  
 0 6" 1 2 FT



**A14**  
**A-311**  
 1/2" = 1'-0"  
 0 1 5 FT

**Order Plans @ WWW.LDOnline.com**