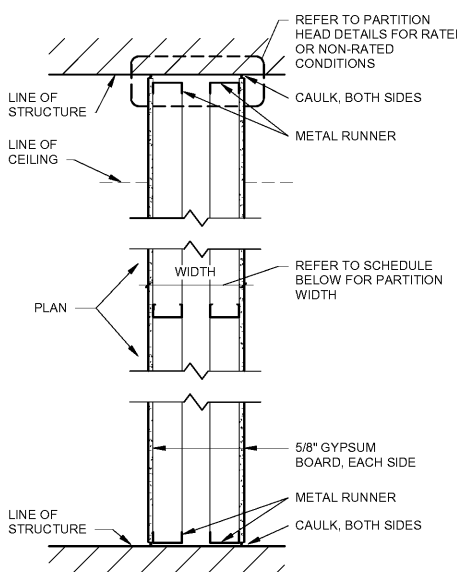
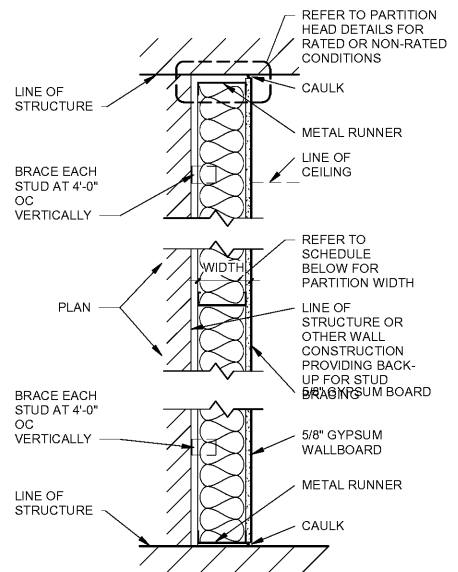


THIS SHEET PLOTS ON 22" x 34" ANSI D 1/2" = 1' SCALE. THIS DOCUMENT IS THE PROPERTY OF CROFT & ASSOCIATES, P.C. IT IS TO BE USED ONLY FOR THE SPECIFIC PROJECT REFERRED TO AND IDENTIFIED HEREIN AND IS NOT TO BE USED ON OTHER PROJECTS, IN WHOLE OR IN PART, WITHOUT THE EXPRESS WRITTEN AGREEMENT OF CROFT & ASSOCIATES, P.C.



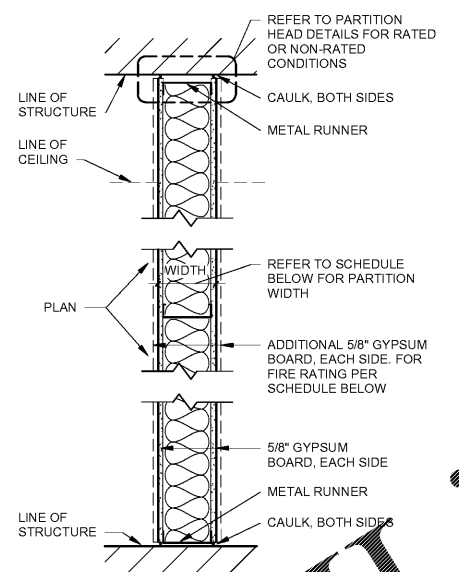
PARTITION TYPE 'C'						
MARK	STUD WIDTH	GWB THK (LAYERS PER SIDE)	PARTN WIDTH	FIRE RATING	UL LISTING	STC
C2	2-1/2"	5/8"	12"	NA	NA	

NOT USED



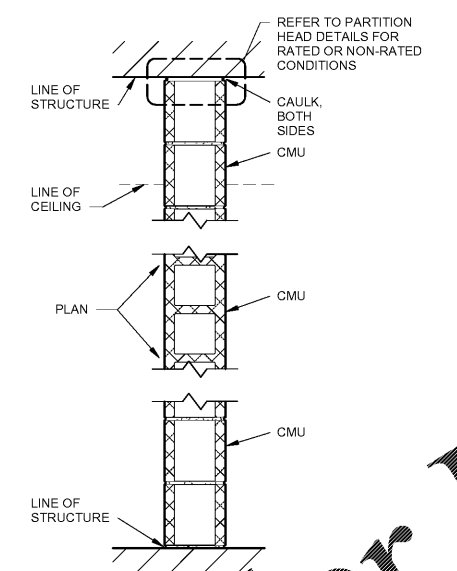
PARTITION TYPE 'F'						
MARK	STUD WIDTH	GWB THK (LAYERS PER SIDE)	PARTN WIDTH	FIRE RATING	UL LISTING	STC
F0	7/8"	5/8"	1-1/2"	NA	NA	

NOT USED



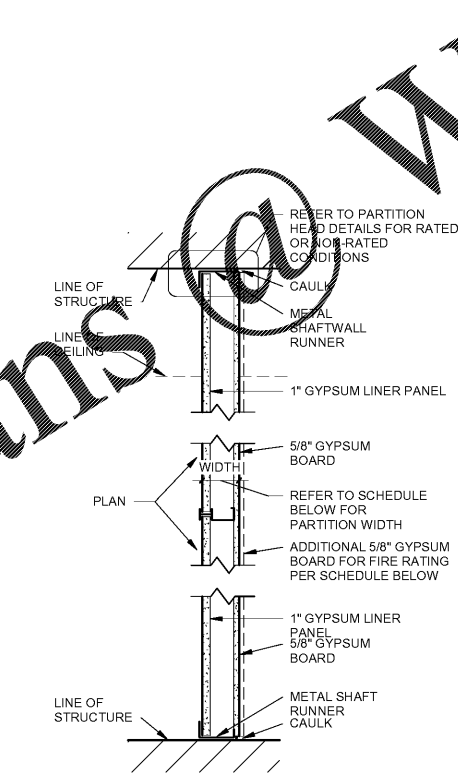
PARTITION TYPE 'G'						
MARK	STUD WIDTH	GWB THK (LAYERS PER SIDE)	PARTN WIDTH	FIRE RATING	UL LISTING	STC
G2	2-1/2"	5/8"	3-3/4"	NA	NA	
G3	3-5/8"	5/8"	4-3/8"	1 HR	U419	
G4	4"	5/8"	5-1/4"	1 HR	U419	
G6	6"	5/8"	7-1/4"	1 HR	U419	
G8	8"	5/8"	9-1/4"	1 HR	U419	
1G3	3-5/8"	5/8"	3-3/4"	1 HR	U419	
1G4	4"	5/8"	5-1/4"	1 HR	U419	
1G6	6"	5/8"	7-1/4"	1 HR	U419	
1G8	8"	5/8"	9-1/4"	1 HR	U419	
2G3	3-5/8"	(2) 5/8"	6-1/8"	2 HR	U419	
2G4	4"	(2) 5/8"	6-1/2"	2 HR	U419	
2G6	6"	(2) 5/8"	8-1/2"	2 HR	U419	
2G8	8"	(2) 5/8"	10-1/2"	2 HR	U419	
3G3	3-5/8"	(3) 5/8"	7-3/8"	3 HR	U419	
3G4	4"	(3) 5/8"	7-3/4"	3 HR	U419	
3G6	6"	(3) 5/8"	9-3/4"	3 HR	U419	
3G8	8"	(3) 5/8"	11-3/4"	3 HR	U419	

NOT USED



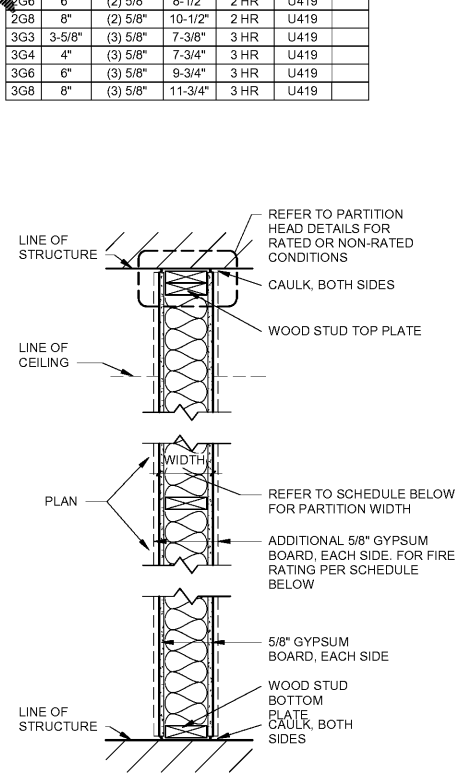
PARTITION TYPE 'M'			
MARK	BLOCK WIDTH	FIRE RATING	UL LISTING
M4	3-5/8"	1 HR	U419
M6	5-5/8"	1 HR	U419
M8	7-5/8"	1 HR	U419
M12	11-5/8"	1 HR	U419

PARTITION TYPE 'M'			
MARK	BLOCK WIDTH	FIRE RATING	UL LISTING
M4	3-5/8"	1 HR	U419
1M8	7-5/8"	1 HR	U419
1M12	11-5/8"	1 HR	U419
2M4	3-5/8"	2 HR	U419
2M6	5-5/8"	2 HR	U419
2M8	7-5/8"	2 HR	U419
2M12	11-5/8"	2 HR	U419
3M4	3-5/8"	3 HR	U419
3M6	5-5/8"	3 HR	U419
3M8	7-5/8"	3 HR	U419
3M12	11-5/8"	3 HR	U419



PARTITION TYPE 'S'						
MARK	STUD WIDTH	GWB THK (LAYERS PER SIDE)	PARTN WIDTH	FIRE RATING	UL LISTING	STC
1S2	2-1/2"	1" INT / 5/8" EXT	3-1/8"	1 HR	U469	
1S4	4"	1" INT / 5/8" EXT	4-3/8"	1 HR	U469	
1S6	6"	1" INT / 5/8" EXT	6-3/8"	1 HR	U469	
2S2	2-1/2"	(2) 5/8" EXT	3-1/4"	2 HR	U438	
2S4	4"	1" INT / (2) 5/8" EXT	5-1/4"	2 HR	U438	
2S6	6"	1" INT / (2) 5/8" EXT	7-1/4"	2 HR	U438	

NOT USED

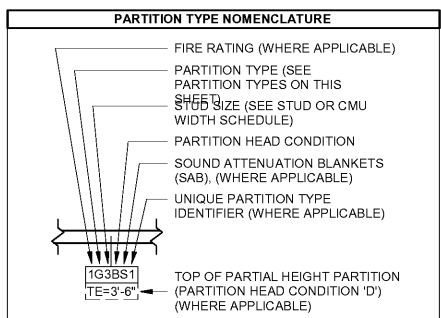


PARTITION TYPE 'W'						
MARK	STUD WIDTH	GWB THK (LAYERS PER SIDE)	PARTN WIDTH	FIRE RATING	UL LISTING	STC
W2	1-1/2"	5/8"	2-3/4"	NA	NA	
W4	4"	5/8"	3-3/4"	NA	NA	
W6	6"	5/8"	4-3/4"	NA	NA	
W8	8"	5/8"	5-3/4"	NA	NA	
W8	7-1/4"	5/8"	8-1/2"	NA	NA	
W10	9-1/4"	5/8"	10-1/2"	NA	NA	
W12	11-1/4"	5/8"	12-1/2"	NA	NA	

NOT USED

PARTITION NOTES:

- "LINE OF STRUCTURE" INDICATED FOR EACH PARTITION IS DIAGRAMMATIC ONLY AND DOES NOT INDICATE EXACT CONSTRUCTION CONDITIONS OR GEOMETRY.
- ALL DIMENSIONS ARE FROM FACE OF GYPSUM BOARD TO FACE OF GYPSUM BOARD. REFER TO PARTITION TYPE FOR PARTITION WIDTH DIMENSIONS UNLESS NOTED OTHERWISE TO BE SHOWN ON PLAN.
- CAULK:
 - FIRE RESISTANCE RATED PARTITIONS SHALL USE RATED FIRE / SMOKE RESISTANT FILL MATERIAL IN CONJUNCTION WITH AN APPROPRIATE RATED FIRE / SMOKE FIRE STOPPING SYSTEM.
 - NON-RATED PARTITIONS AND NON-RATED SMOKE RESISTANT PARTITIONS SHALL USE ACOUSTICAL CAULK.
- INSULATION:
 - FIRE RESISTANCE RATED PARTITIONS SHALL USE MINERAL INSULATION.
 - NON-RATED PARTITIONS REQUIRING SOUND ATTENUATION SHALL USE SOUND ATTENUATION BLENDED WITH MINERAL INSULATION. REFER TO SPECIFICATIONS FOR STUD THICKNESS, MAXIMUM SPACING AND ALLOWABLE LIMITING HEIGHTS DEFLECTING MATERIAL FOR GYPSUM BOARD.
- FOR PARTITIONS TO RECEIVE SOUND ATTENUATION BLANKETS (SAB), EXTEND SAB TO FULL HEIGHT OF PARTITION UNLESS OTHERWISE INDICATED. FLOOR TRACKS TO BE SET IN A CONT. BED OF CAULK, STC 38 U.N.O.
- FIRE RESISTANT AND FIRE RESISTANT SMOKE RATINGS ARE SHOWN ON ALL OPENINGS IN RATED PARTITIONS.
- SMOKE RESISTANT, FIRE RESISTANT, AND FIRE RESISTANT SMOKE BARRIER PARTITIONS SHALL EXTEND AND SEAL TO INSIDE FACE OF EXTERIOR SHEATHING, INCLUDING EXTENSIONS THROUGH SOFFITS.
- EACH PARTITION SHOWN ON THE DRAWINGS TO HAVE A FIRE AND/OR SMOKE RESISTANT RATING SHALL BE IDENTIFIED WITH A LABEL ABOVE THE CEILING ON EACH SEGMENT OF WALL AND 20'-0" O.C. MAX. EACH SIDE OR AS REQUIRED BY AHJ.
- REFER TO TOILET ACCESSORIES SHEET, AND CASEWORK SHEET FOR MOUNTING DETAIL INFORMATION.
- WALLS TO RECEIVE CERAMIC WALL TILE SHALL UTILIZE TILE BACKER UNITS 09300 IN LIEU OF GYPSUM WALLBOARD SHOWN IN WALL TYPE.
- PROVIDE ACRYLIC CORNER OUTSIDE GUARDS AT ALL GYPSUM WALLBOARD CORNERS (CS ACROVYN ACRYLIC CORNER GUARD LG-150, 6" HIGH). BOTTOM OF GUARD TO BE MOUNTED ON TOP OF BASE.
- PROVIDE METAL STRAPPING @ 24" VERT. TO HOLD INSULATION AT AREAS WITHOUT GYPSUM WALLBOARD. FURRING AROUND ALL PLUMBING ETC W/ PARTITION 01 U.N.O.
- ALL WALLS SCHEDULED TO RECEIVE SOUND BATTS OR THERMAL INSULATION, EXTEND BATTS OR INSULATION ON FULL HEIGHT OF WALL.
- ALL BOTTOM WALL TRACKS TO BE SET IN STRIP OF SOUND CAULK.
- ALL BLOCKING TO BE FIRE RETARDANT TREATED.
- ALL RATED PARTITIONS SHALL BE LABELED ABOVE CEILING WITH LABELS PER AHJ AS REQUIRED. IBC CHAPTER 7 AT MINIMUM.
- SEE FLOOR PLAN FOR EXTENT AND LOCATIONS.



PARTITION TYPES	
C	CHASE
F	FURRING
G	GYPSUM WALLBOARD
H	HYBRID
M	MASONRY
P	PANEL - EX. METAL WALL PANEL
S	SHAFT
T	TEMPORARY
W	WOOD

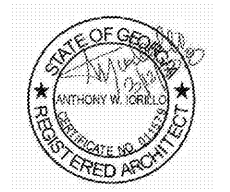
PARTITION METAL / WOOD STUD OR CMU WIDTH				
NUMBER CHARACTER	METAL STUD WIDTH	WOOD STUD WIDTH	CMU WIDTH	REMARKS
0	7/8"	NA	NA	7/8" FURRING CHANNEL
1	1-5/8"	NA	NA	
2	2-1/2"	1-1/2"	1-5/8"	CMU = SOAP BLOCK
3	3-5/8"	2-1/2"	NA	
4	4"	3-1/2"	3-5/8"	
6	6"	5-1/2"	5-5/8"	
8	8"	7-1/4"	7-5/8"	
10	10"	9-1/4"	9-5/8"	
12	12"	11-1/4"	11-5/8"	

PARTITION HEAD CONDITION DESIGNATOR	
A	PARTITION TO BOTTOM OF STRUCTURAL ROOF OR FLOOR DECK ABOVE
B	PARTITION TO 6" ABOVE CEILING - EXTEND METAL STUD TO STRUCTURE PER SPECIFICATIONS
C	PARTITION TO BOTTOM OF CEILING ABOVE
D	PARTIAL HEIGHT PARTITION - SEE FLOOR PLAN FOR HEIGHT

UNIQUE PARTITION TYPE IDENTIFIER	
1	



Croft & Associates
 3400 Blue Springs Road, Suite 200
 Kennesaw, Georgia 30144
 770.529.7714 (p) 770.529.7716 (f)
 www.croftandassociates.com



OWNER
CITY OF ACWORTH
 4415 SENATOR RUSSELL AVENUE
 ACWORTH, GEORGIA 30101



DURR FIELD
 4757 - 4805 SCHOOL STREET
 ACWORTH, GEORGIA 30101

No.	Date	Description
0	2018-03-12	ISSUED FOR CONSTRUCTION
	2016-07-22	100% Set
B	2016-07-15	IN-HOUSE REVIEW

PROJECT NUMBER
16139
 DRAWN: LAP CHECKED: AWI

SHEET TITLE
PARTITION TYPES

SHEET NO.
A-001