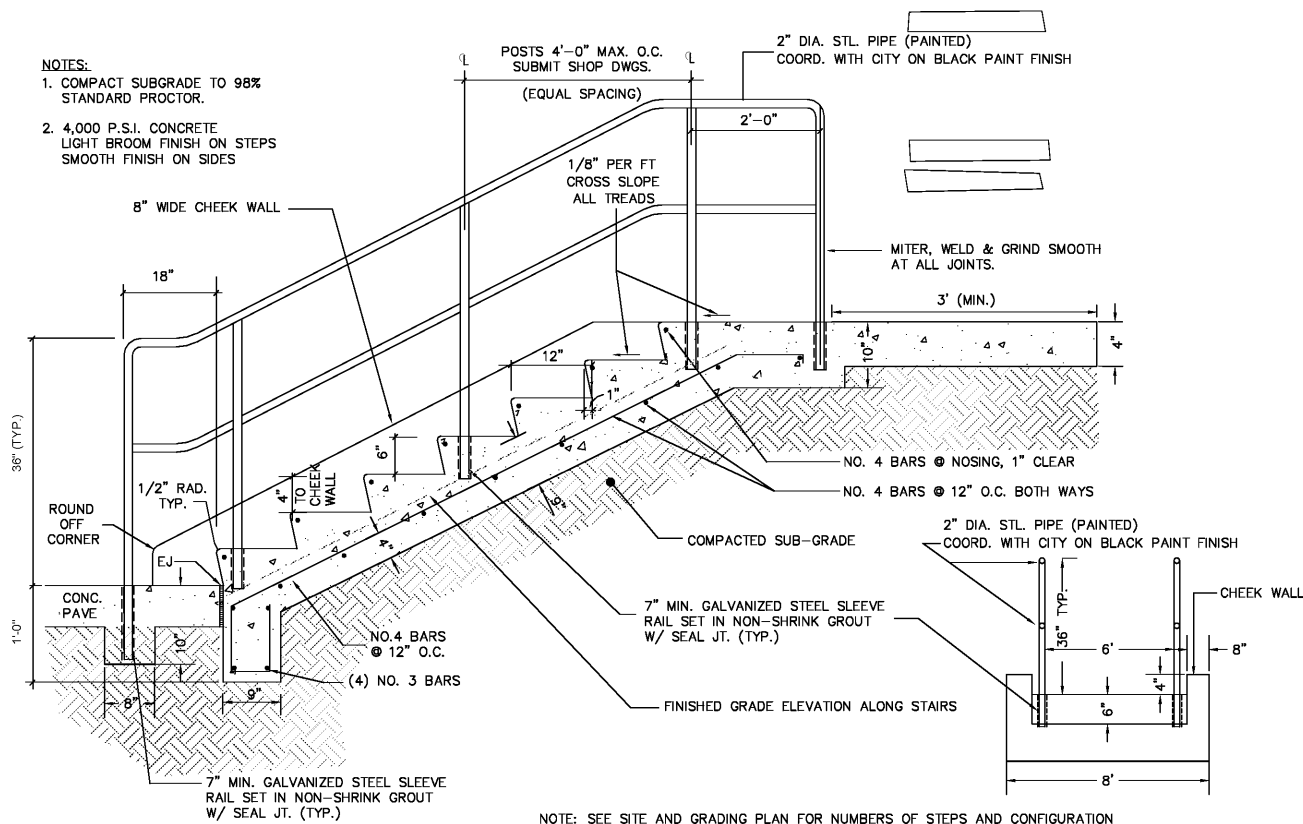


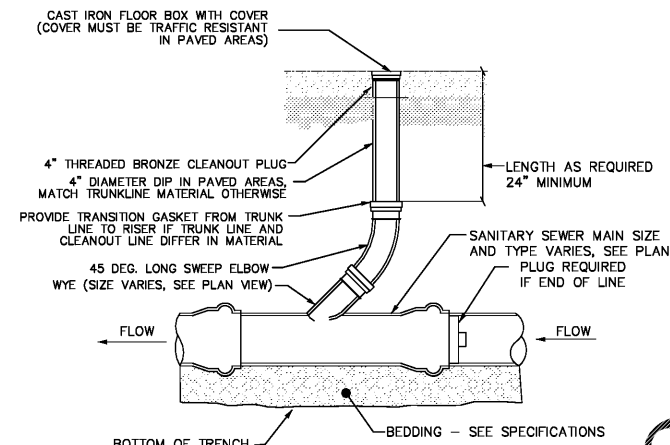
SUBMITTAL RECORD:	
DATE	DESCRIPTION
REVISION RECORD:	
DATE	DESCRIPTION
9-18-18	MINOR REVISIONS TO STAIR DETAIL



**TYPICAL CONCRETE STAIRS WITH RAILING**

NTS

NOTE: SEE SITE AND GRADING PLAN FOR NUMBERS OF STEPS AND CONFIGURATION

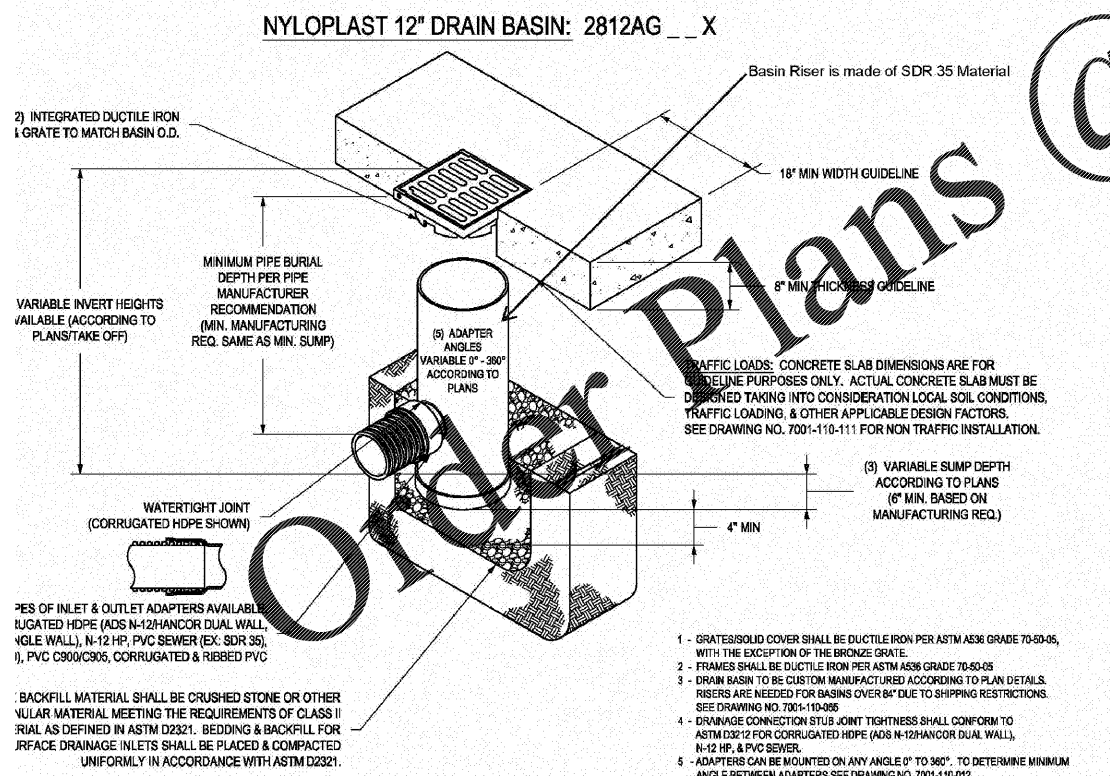


CONSTRUCTION NOTES:

- 3,000 PSI CONCRETE, 2" SLUMP WITH LIGHT BROOM FINISH
- INSTALL CONCRETE SQUARE PAD AROUND CLEANOUT TOP UNLESS CLEANOUT IS LOCATED IN CONCRETE PAVEMENT.

**SANITARY SEWER CLEAN-OUT**

NTS



**NYLOPLAST 12" DRAIN BASIN: 2812AG \_ \_ X**

- GRATES/SOLID COVER SHALL BE DUCTILE IRON PER ASTM A536 GRADE 70-50-05, WITH THE EXCEPTION OF THE BRONZE GRATE.
- FRAMES SHALL BE DUCTILE IRON PER ASTM A536 GRADE 70-50-05.
- DRAIN BASIN TO BE CUSTOM MANUFACTURED ACCORDING TO PLAN DETAILS. RISERS ARE NEEDED FOR BASINS OVER 84" DUE TO SHIPPING RESTRICTIONS. SEE DRAWING NO. 7001-110-080.
- DRAINAGE CONNECTION STUD JOINT TIGHTNESS SHALL CONFORM TO ASTM D3212 FOR CORRUGATED HDPE (ADS N-12 HANCOR DUAL WALL), N-12 HP, & PVC SEWER.
- ADAPTERS CAN BE MOUNTED ON ANY ANGLE 0° TO 360°. TO DETERMINE MINIMUM ANGLE BETWEEN ADAPTERS SEE DRAWING NO. 7001-110-012.



7-26-17

PROJECT NAME:  
**DURR FIELD IMPROVEMENTS**

SITE:  
**SCHOOL STREET  
 ACWORTH, GA**

SHEET TITLE:  
**CONSTRUCTION  
 DETAILS - 2**

SHEET NUMBER:

**C6**