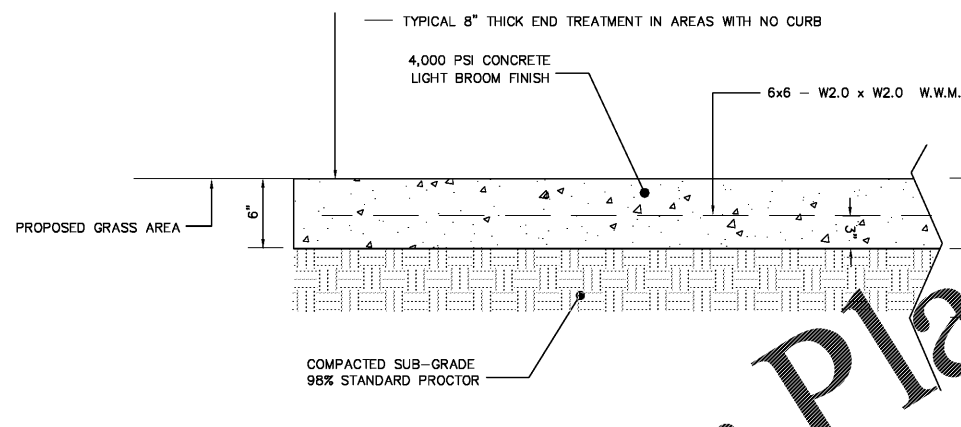
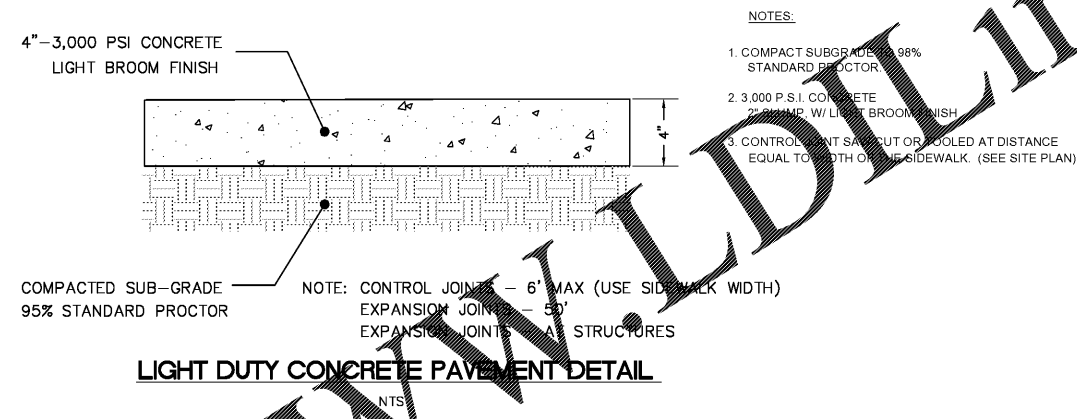
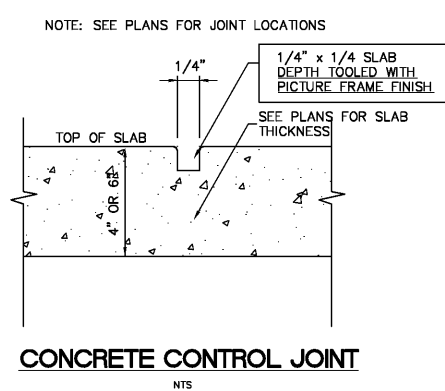
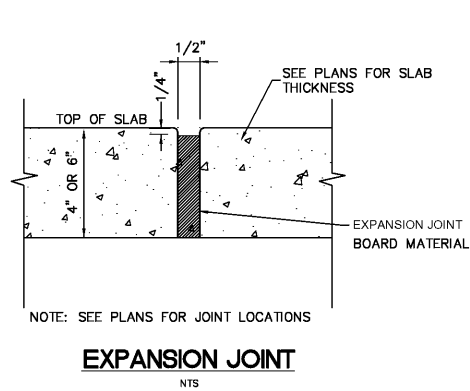
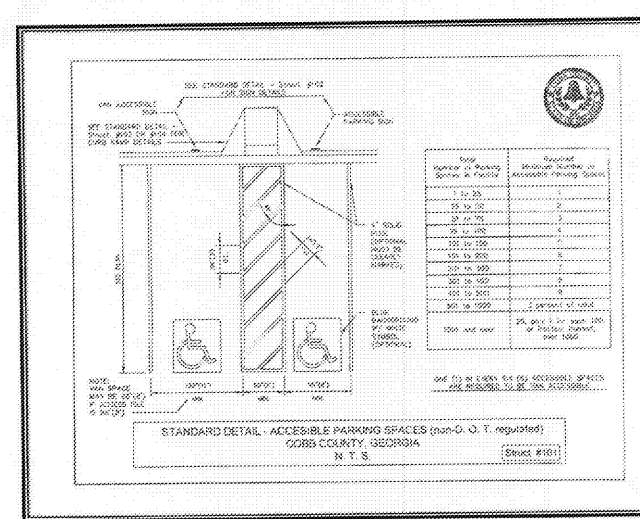
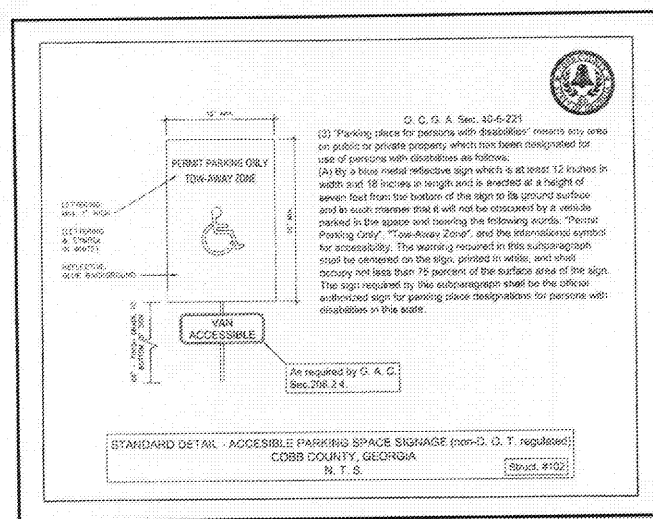
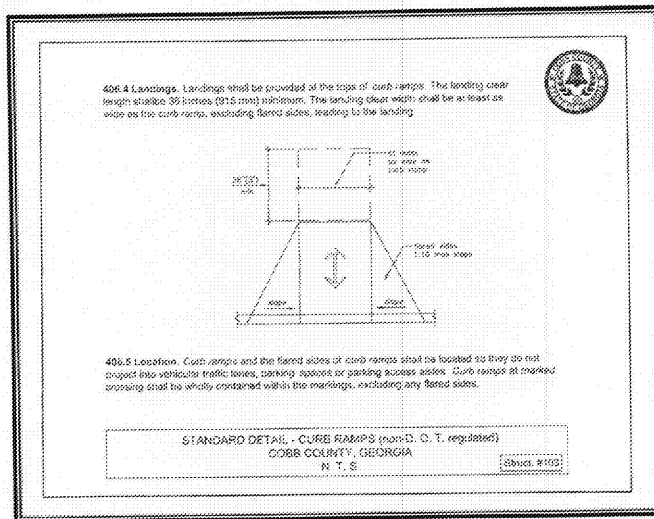
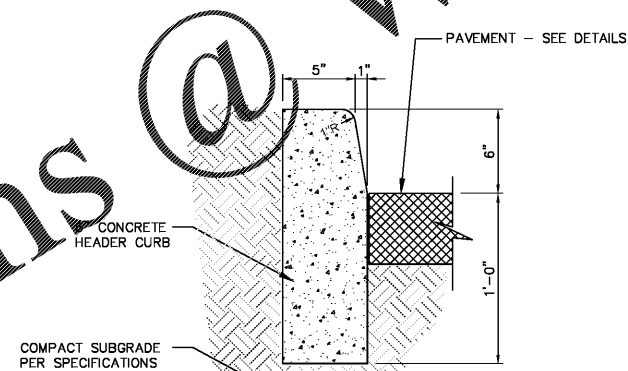


SUBMITTAL RECORD:	
DATE	DESCRIPTION
REVISION RECORD:	
DATE	DESCRIPTION



- NOTES:
1. SIDEWALK EXPANSION JOINTS REQUIRED AT ALL STRUCTURES, MAX. SPACING TO BE 25' MAX.
2. EXPANSION JOINT SPACING FOR PLAZA AREA 40' MAX AND AT ALL STRUCTURES.
3. CONTROL JOINTS LOCATIONS PER PLAN WITH 10' SPACING MAX.
4. 4,000 P.S.I. CONCRETE, 1" TO 3" SLUMP, W/ LIGHT BROOM FINISH.

HEAVY DUTY CONCRETE PAVEMENT DETAIL



- NOTES:
1. COMPACT SUBGRADE TO 95% STANDARD PROCTOR.
2. 3000 P.S.I. CONCRETE 2" SLUMP, W/ LIGHT BROOM FINISH.
3. CONTROL JOINTS EVERY 10'.
ALL STRUCTURES AND CURB RETURNS. MAX. DIST BETWEEN EXPANSION JOINTS - 50'.

CONCRETE HEADER CURB DETAIL



7-26-17

PROJECT NAME:
DURR FIELD IMPROVEMENTS

SITE:
**SCHOOL STREET
ACWORTH, GA**

SHEET TITLE:

**CONSTRUCTION
DETAILS - 1**

SHEET NUMBER:

C5