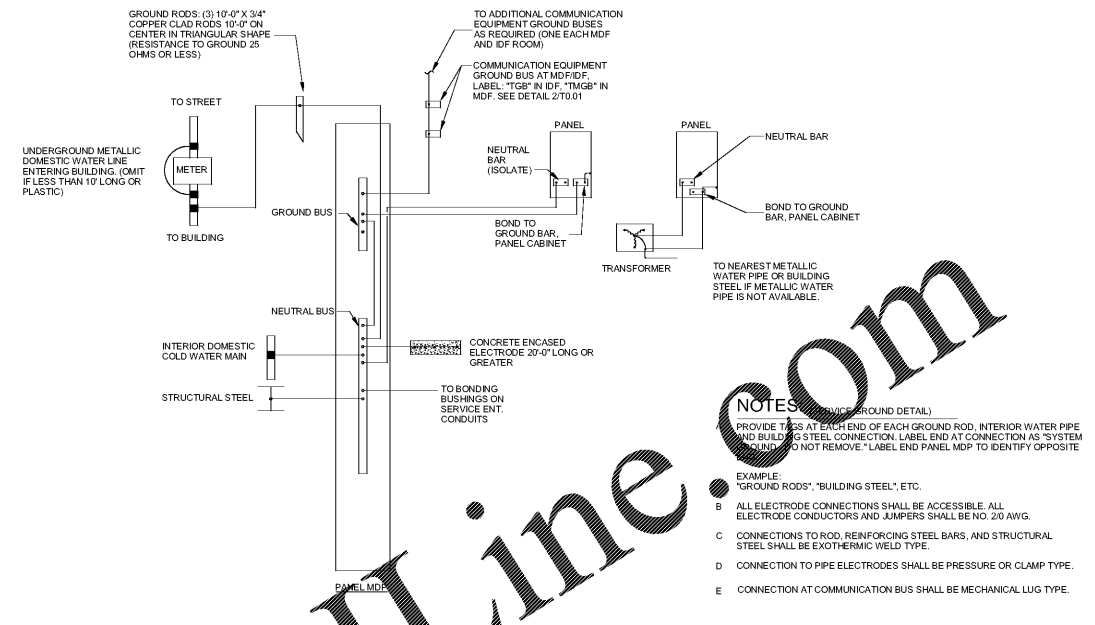
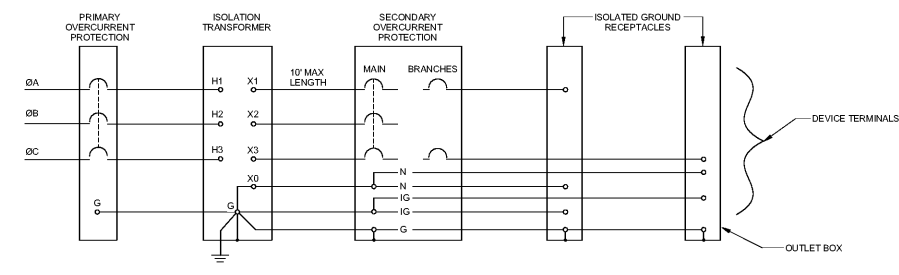


1 POWER RISER DIAGRAM  
ES.01 NOT TO SCALE

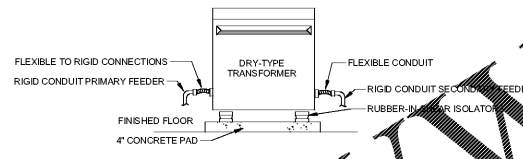


2 SERVICE GROUND DETAIL  
ES.01 NOT TO SCALE

**NOTES:** (SEE SERVICE GROUND DETAIL)  
 PROVIDE TESTS AT EACH END OF EACH GROUND ROD, INTERIOR WATER PIPE AND BUILDING STEEL CONNECTION. LABEL END AT CONNECTION AS "SYSTEM NO. 1" AND "SYSTEM NO. 2" DO NOT REMOVE. LABEL END PANEL MDP TO IDENTIFY OPPOSITE END.  
 EXAMPLE:  
 "GROUND RODS", "BUILDING STEEL", ETC.  
 ALL ELECTRODE CONNECTIONS SHALL BE ACCESSIBLE. ALL ELECTRODE CONDUCTORS AND JUMPERS SHALL BE NO. 20 AWG.  
 CONNECTIONS TO ROD, REINFORCING STEEL BARS, AND STRUCTURAL STEEL SHALL BE EXOTHERMIC WELD TYPE.  
 CONNECTION TO PIPE ELECTRODES SHALL BE PRESSURE OR CLAMP TYPE.  
 CONNECTION AT COMMUNICATION BUS SHALL BE MECHANICAL LUG TYPE.



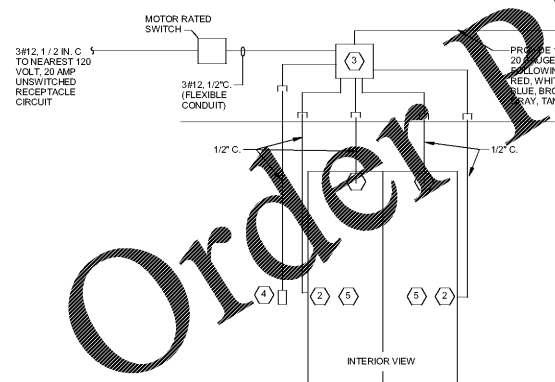
3 ISOLATION TRANSFORMER DETAIL  
ES.01 NOT TO SCALE



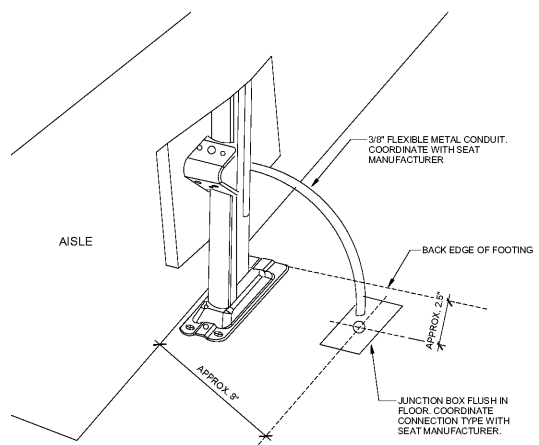
4 FLOOR MOUNTED TRANSFORMER  
ES.01 NOT TO SCALE

**NOTES:** (ACCESS CONTROL CONNECTIONS)

- 1 DOOR POSITION SWITCH.
- 2 CURRENT TRANSFER HINGE
- 3 POWER SUPPLY.
- 4 CARD READER.
- 5 DELAYED EGRESS SYSTEM - NORMALLY CLOSED FIRE ALARM RELAY REQUIRED. PLUG-INPLAY. NORMALLY CLOSED FIRE ALARM RELAY REQUIRED FOR THE DELAYED EGRESS APPLICATION.



5 ACCESS CONTROL DOOR DETAIL  
ES.01 SCALE: NOT TO SCALE



6 AUDITORIUM SEAT AISLE LIGHTING INSTALLATION  
ES.01 NOT TO SCALE

THIS DRAWING IS INTENDED TO INDICATE CONDUIT INFRASTRUCTURE REQUIREMENT ONLY. COORDINATE EXACT REQUIRED COMPONENTS WITH ARCHITECTURAL DOOR SPECIFICATIONS. PROVIDE ALL CONDUIT AND BOXES FOR COMPLETE ACCESS CONTROL INSTALLATION.



JOB NAME: BEACH HIGH SCHOOL AUDITORIUM  
 3001 Higgins Street  
 Savannah, Georgia 31405  
 Chatham County Public School System

SHEET NAME: ELECTRICAL ONE-LINE DIAGRAM AND DETAILS

THIS DRAWING AND ITS REPRESENTATIONS ARE THE PROPERTY OF THE ARCHITECT AND MAY BE REPRODUCED OR TRANSMITTED IN ANY FORM OR BY ANY MEANS WITHOUT THE WRITTEN PERMISSION OF THE ARCHITECT.

J. W. ROBINSON & ASSOCIATES, INC.  
 ARCHITECTS • INTERIOR DESIGNERS • URBAN PLANNERS •  
 1020 RALPH DAVID ABERNATHY BLVD., S.W., ATLANTA, GEORGIA 30310  
 PHONE: (404) 753-4129 FAX: (404) 753-4435



| DATE          | DESCRIPTION             |
|---------------|-------------------------|
| APRIL 5, 2018 | 100% DESIGN DEVELOPMENT |
| OCT. 29, 2018 | 80% DESIGN DEVELOPMENT  |
| MAY 17, 2019  | 100% CONST. DOCUMENTS   |

100% 201801

DATE: SEPT. 4, 2018 100% SCHEMATIC DESIGN

DATE: SEPT. 4, 2018 100% SCHEMATIC DESIGN

DATE: SEPT. 4, 2018 100% SCHEMATIC DESIGN

DATE: SEPT. 4, 2018 100% SCHEMATIC DESIGN

DATE: SEPT. 4, 2018 100% SCHEMATIC DESIGN

In Association With  
  
 ARCHITECTS  
 301 W. Broughton St. #301  
 Savannah, GA. 30401  
 Ph: 912-232-5561