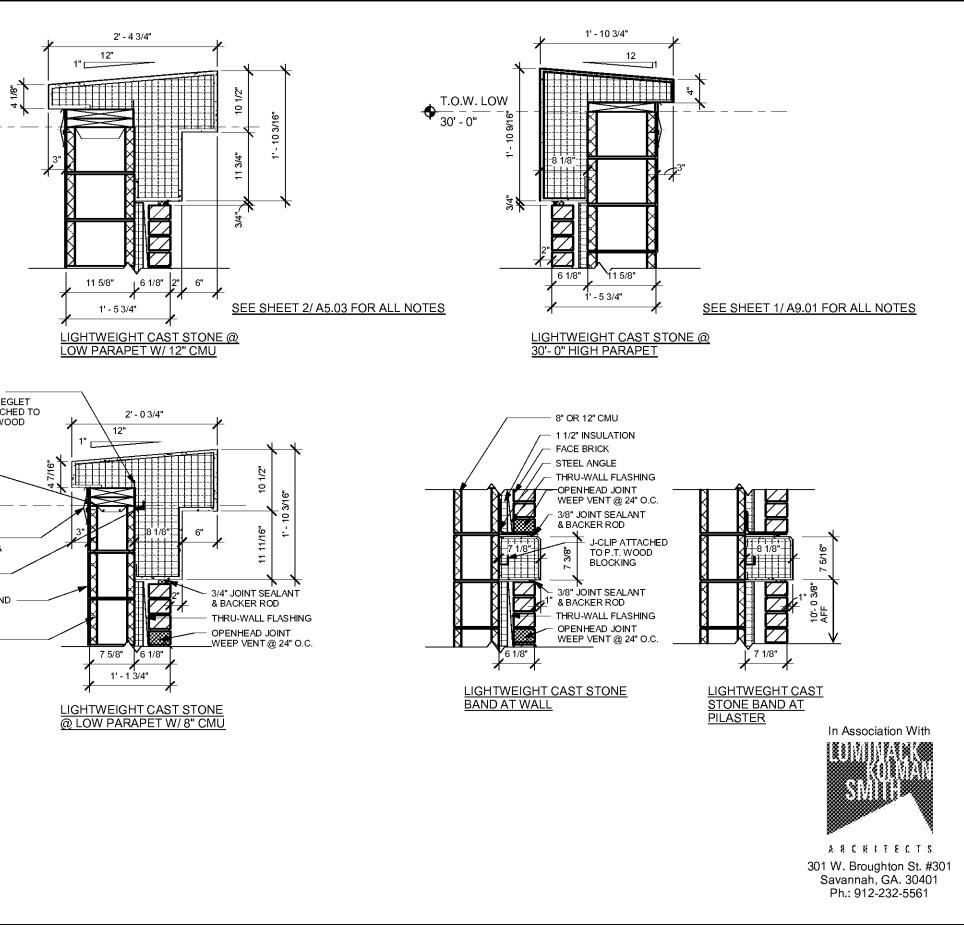
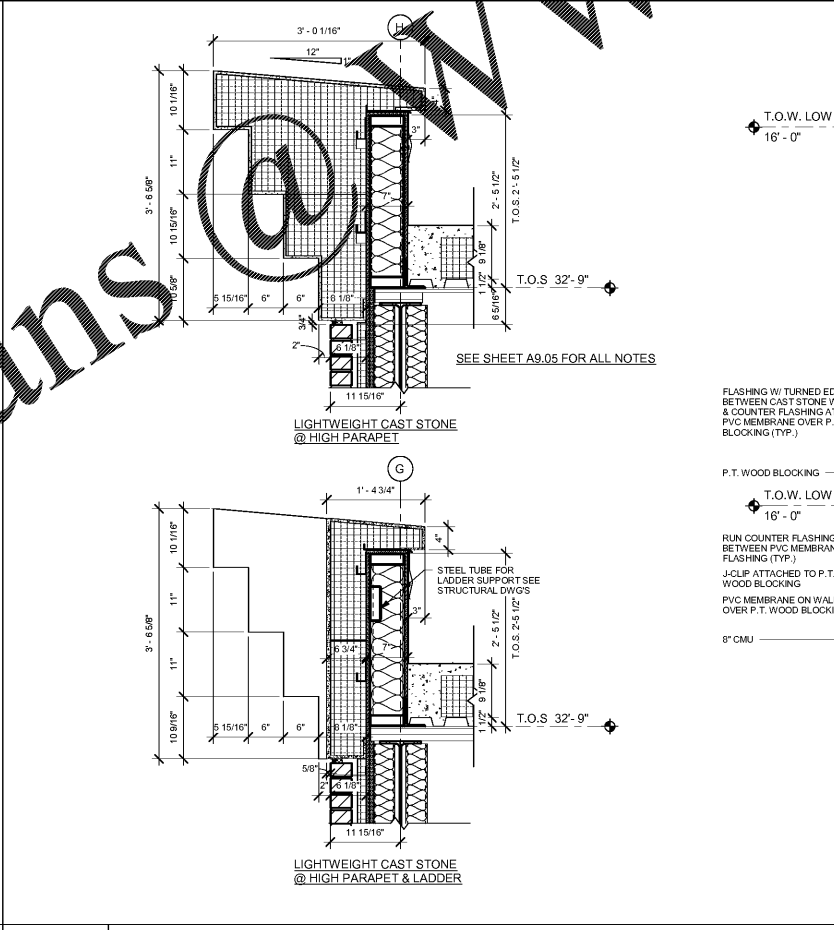
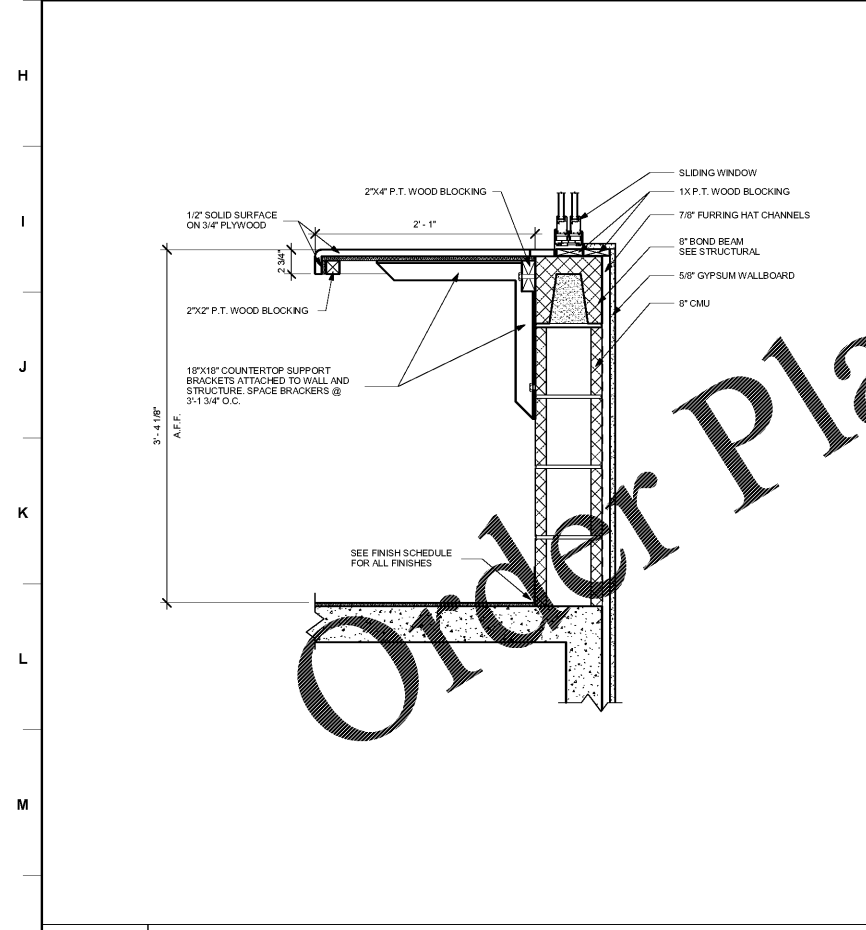


2 Detail 13
1" = 1'-0"

3 Detail 16
1" = 1'-0"

5 SECTION @ AUDITORIUM SEATING WALL
1" = 1'-0"



1 SECTION THROUGH COUNTERTOP AT SOUND ROOM
1 1/2" = 1'-0"

4 PRECAST CONCRETE COPING
1" = 1'-0"

RELEASED FOR CONSTRUCTION
FACILITY CODE: 625-0312

Order Plans @ WWW.LDWINE.COM

J. W. ROBINSON & ASSOCIATES, INC.
ARCHITECTS • INTERIOR DESIGNERS • URBAN PLANNERS •
1020 RALPH DAVID ABERNATHY BLVD., S.W., ATLANTA, GEORGIA 30310
PHONE: (404) 753-4129 FAX: (404) 753-4435

BEACH HIGH SCHOOL AUDITORIUM
3001 Higgins Street
Savannah, Georgia 31405
Chatham County Public School System

JOB NAME: BEACH HIGH SCHOOL AUDITORIUM
SHEET NAME: MISCELLANEOUS DETAILS

201801
DATE: SEPT. 4, 2018 100% SCHEMATIC DESIGN
OCT. 29, 2018 100% DESIGN DEVELOPMENT
APRIL 5, 2019 80% CONST. DOCUMENTS
MAY 17, 2019 100% CONST. DOCUMENTS

ARCHITECTS
301 W. Broughton St. #301
Savannah, GA. 30401
Ph: 912-232-5561

SHEET NUMBER **A9.03**