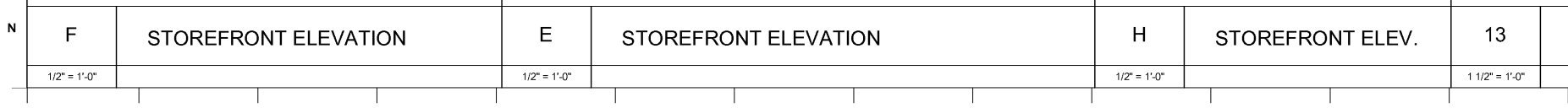
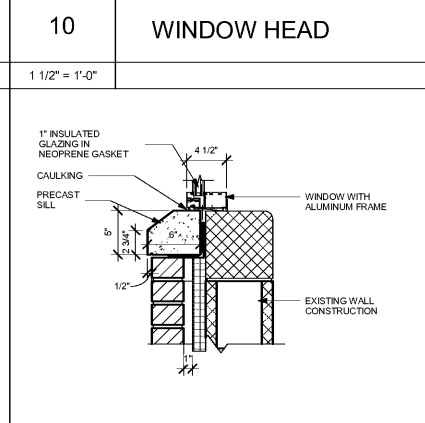
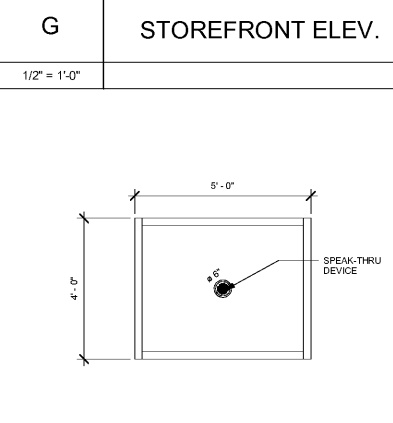
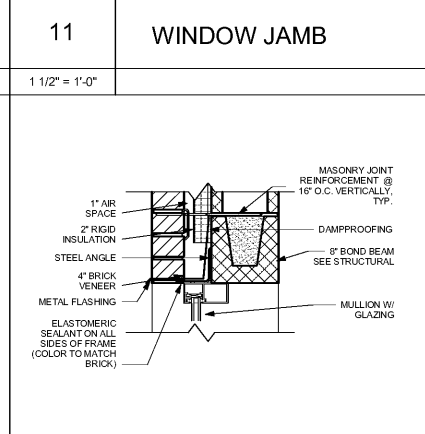
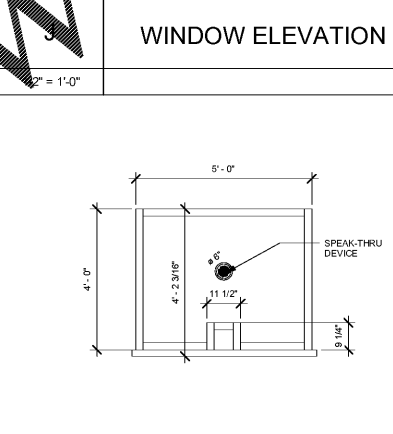
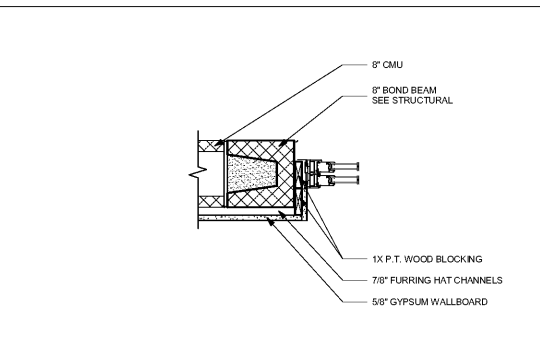
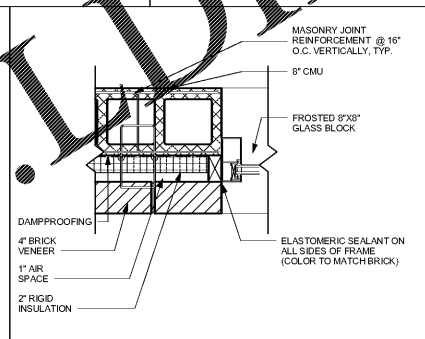
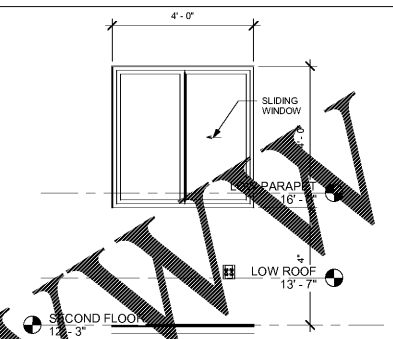
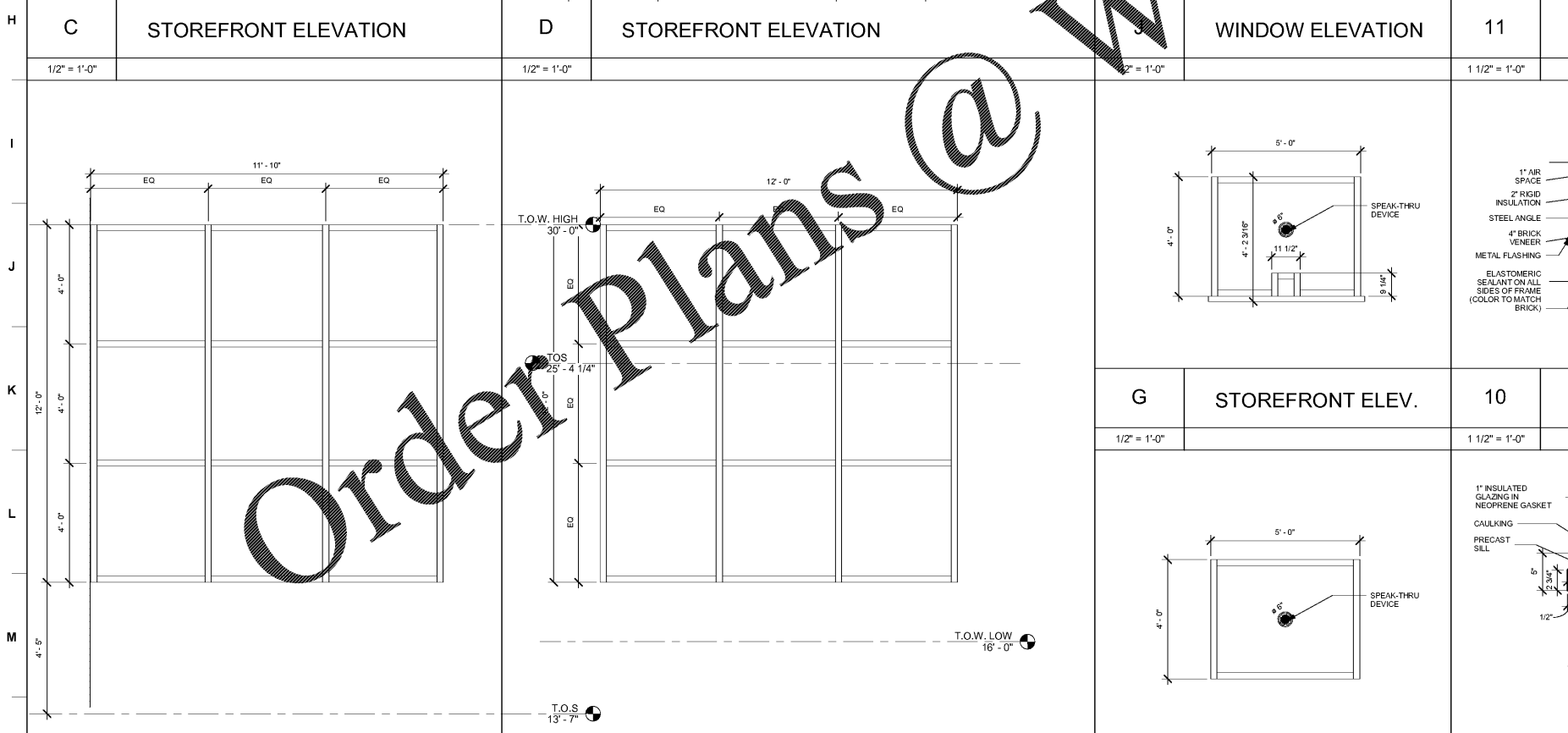
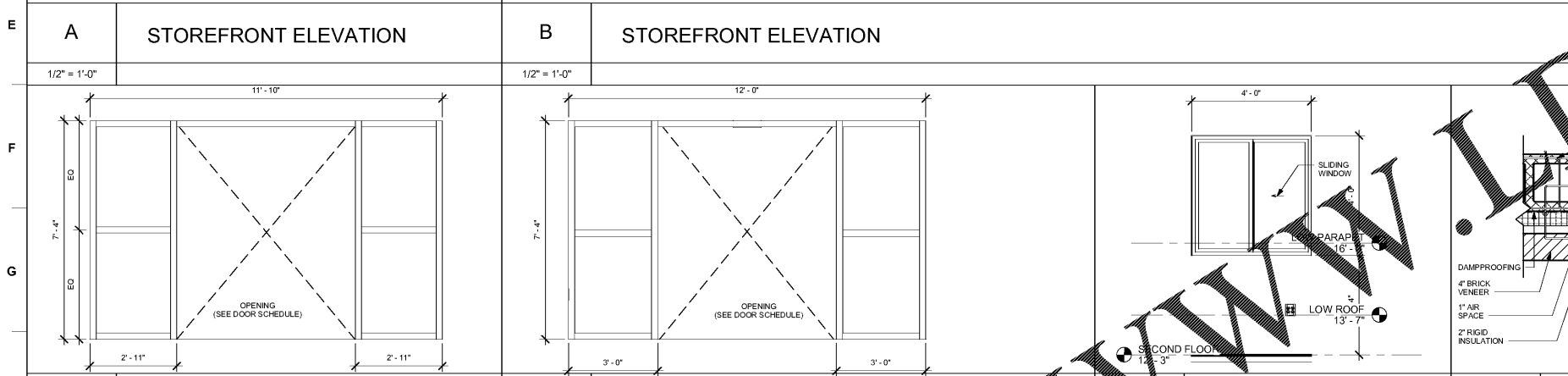


STOREFRONT SCHEDULE									
MARK	WIDTH	HEIGHT	MATERIAL	STOREFRONT HEAD	STOREFRONT JAMB	STOREFRONT SILL	GLAZING		REMARKS
							THICKNESS	TYPE	
A	10'-8"	6'-8"	ALUM						
B	28'-0"	8'-8"	ALUM						
C	11'-10"	7'-4"	ALUM						
D	12'-8 7/8"	7'-4"	ALUM						
E	12'-0"	12'-0"	ALUM						
F	11'-10"	12'-0"	ALUM						
G	5'-0"	4'-0"	ALUM						
H	5'-0"	4'-0"	ALUM						

WINDOW SCHEDULE									
MARK	WIDTH	HEIGHT	MATERIAL	WINDOW HEAD	WINDOW JAMB	WINDOW SILL	GLAZING		REMARKS
							THICKNESS	TYPE	
J	4'-0"	4'-0"							SLIDING WINDOW



WINDOW SCHEDULE									
MARK	WIDTH	HEIGHT	MATERIAL	WINDOW HEAD	WINDOW JAMB	WINDOW SILL	GLAZING		REMARKS
							THICKNESS	TYPE	
J	4'-0"	4'-0"							SLIDING WINDOW

Order Plans @

WWW.LDILine.com



JOB NAME: BEACH-HIGH SCHOOL AUDITORIUM
 3001 Higgins Street
 Savannah, Georgia 31405
 Chatham County Public School System

SHEET NAME: WINDOW SCHEDULE AND DETAILS

DATE: 04/17/2019 10:00% CONST. DOCUMENTS

J.W. ROBINSON & ASSOCIATES, INC.
 ARCHITECTS • INTERIOR DESIGNERS • URBAN PLANNERS •
 1020 RALPH DAVID ABERNATHY BLVD., S.W., ATLANTA, GEORGIA 30310
 PHONE: (404) 753-4129 FAX: (404) 753-4435



DATE: 04/17/2019 10:00% CONST. DOCUMENTS	DATE: 04/17/2019 10:00% CONST. DOCUMENTS	DATE: 04/17/2019 10:00% CONST. DOCUMENTS	DATE: 04/17/2019 10:00% CONST. DOCUMENTS
DATE: 04/17/2019 10:00% CONST. DOCUMENTS	DATE: 04/17/2019 10:00% CONST. DOCUMENTS	DATE: 04/17/2019 10:00% CONST. DOCUMENTS	DATE: 04/17/2019 10:00% CONST. DOCUMENTS
DATE: 04/17/2019 10:00% CONST. DOCUMENTS	DATE: 04/17/2019 10:00% CONST. DOCUMENTS	DATE: 04/17/2019 10:00% CONST. DOCUMENTS	DATE: 04/17/2019 10:00% CONST. DOCUMENTS
DATE: 04/17/2019 10:00% CONST. DOCUMENTS	DATE: 04/17/2019 10:00% CONST. DOCUMENTS	DATE: 04/17/2019 10:00% CONST. DOCUMENTS	DATE: 04/17/2019 10:00% CONST. DOCUMENTS

JOB NO. 201801
 SHEET NUMBER A8.09
 FACILITY CODE: 625-0312

