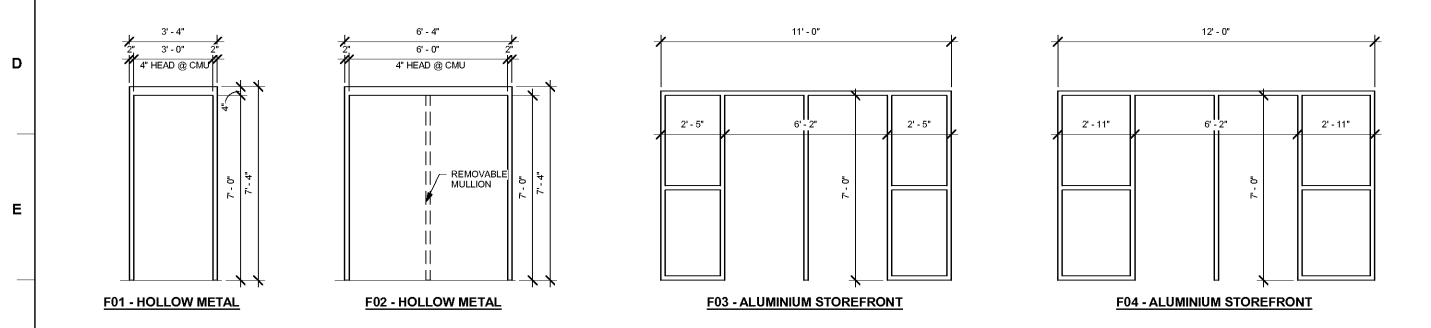
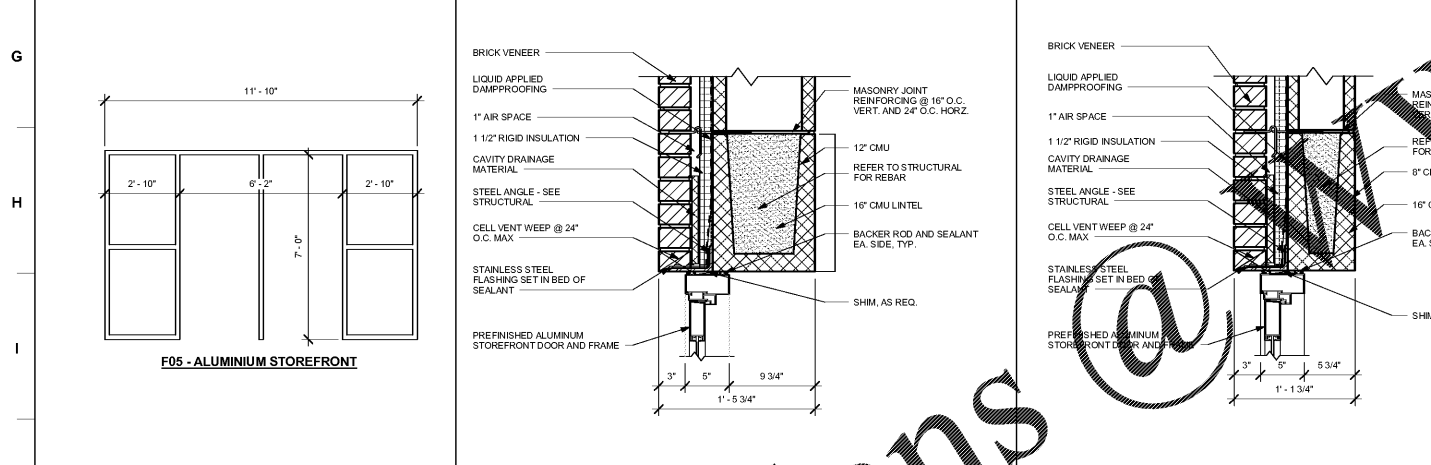


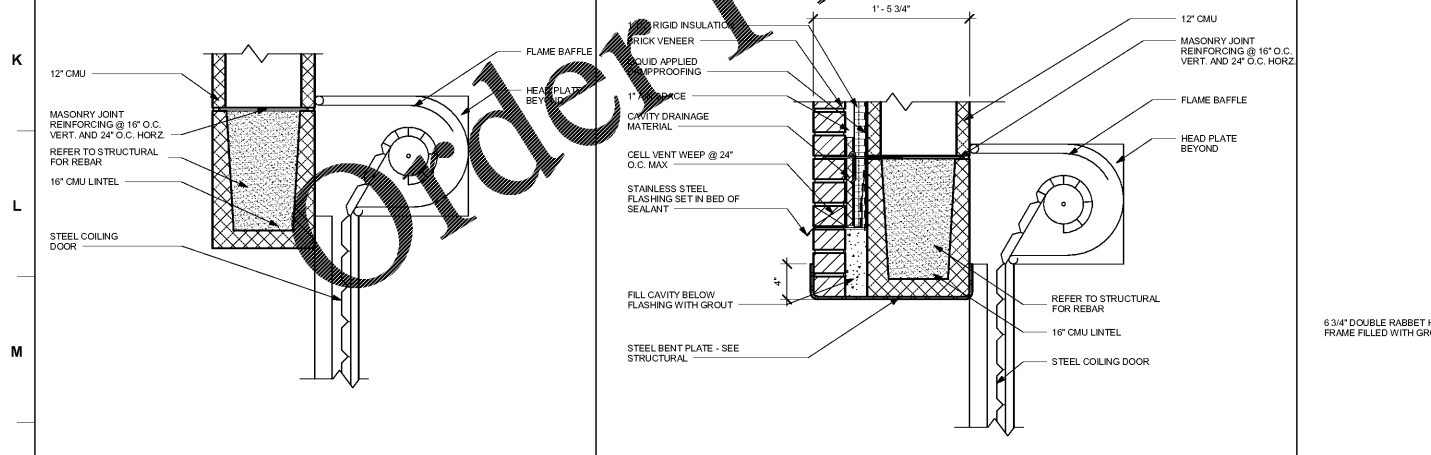
1 DOOR ELEVATION
3/8" = 1'-0"



2 FRAME ELEVATION
3/8" = 1'-0"

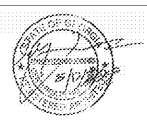


3 FRAME ELEVATION
3/8" = 1'-0"



DH05 DH05 DH06 DH06 DH07 DH07 DH08 DH08
1 1/2" = 1'-0"

DOOR SCHEDULE												
DOOR NO.	WIDTH	HEIGHT	DOOR TYPE	DOOR MATERIAL	FRAME TYPE	FRAME MATERIAL	DOOR HEAD	DOOR JAMB	DOOR SILL	HARDWARE SET	FIRE RATING	COMMENTS
95	3'-0"	3'-0"								15		
1100.1	6'-0"	7'-1 1/2"	D05	ALUM.	F05	ALUM.	DH01	DJ01	DS01	02		
1100.2	6'-0"	7'-1 1/2"	D05	ALUM.	F05	ALUM.	DH01	DJ01	DS01	02		
1101.1	6'-0"	7'-1 1/2"	D05	ALUM.	F04	ALUM.	DH02	DJ02	DS02	11		
1101.2	6'-0"	7'-1 1/2"	D05	ALUM.	F04	ALUM.	DH02	DJ02	DS02	11		
1102	3'-0"	7'-0"	D02	SOLID CORE WD	F01	HM.	DH03	DJ03	DS04	14	45 MINS.	
1103	3'-0"	7'-0"	D02	SOLID CORE WD	F01	HM.	DH03	DJ03	DS04	14	45 MINS.	
1104.1	3'-0"	7'-0"	D01	SOLID CORE WD	F01	HM.	DH09	DJ09	DS05	05	45 MINS.	
1104.2	6'-0"	7'-0"	D03	SOLID CORE WD	F02	HM.	DH09	DJ09	DS05	12	45 MINS.	
1104.3	6'-0"	7'-0"	D03	SOLID CORE WD	F02	HM.	DH09	DJ09	DS05	12	45 MINS.	
1104.4	6'-0"	7'-0"	D03	SOLID CORE WD	F02	HM.	DH09	DJ09	DS04	10		
1104.5	6'-0"	7'-0"	D03	SOLID CORE WD	F02	HM.	DH09	DJ09	DS04	10		
1104.6	6'-0"	7'-0"	D03	SOLID CORE WD	F02	HM.	DH09	DJ09	DS04	10		
1104.7	6'-0"	7'-0"	D03	SOLID CORE WD	F02	HM.	DH09	DJ09	DS04	10		
1104.8	6'-0"	7'-0"	D03	HM.	F02	HM.	DH10	DJ10	DS06	01		
1104.9	6'-0"	7'-0"	D03	HM.	F02	HM.	DH10	DJ10	DS06	01		
1105	10'-0"	12'-0"	D06	STL.	-	STL.	DH05	DJ05	DS07		45 MINS.	
1106	3'-0"	7'-0"	D01	SOLID CORE WD	F01	HM.	DH03	DJ03	DS08	07	45 MINS.	
1107.1	6'-0"	7'-0"	D01	SOLID CORE WD	F01	HM.	DH07	DJ07	DS11	17		
1107.2	10'-0"	12'-0"	D06	STL.	-	STL.	DH06	DJ06	DS09			
1107.3	3'-0"	7'-0"	D01	HM.	F01	HM.	DH04	DJ04	DS10	13		
1108.1	6'-0"	7'-0"	D03	SOLID CORE WD	F02	HM.	DH09	DJ09	DS04	10		
1108.2	6'-0"	7'-0"	D03	HM.	F02	HM.	DH04	DJ04	DS11	10		
1109	3'-0"	7'-0"	D01	SOLID CORE WD	F01	HM.	DH07	DJ07	DS11	10		
1110	3'-0"	7'-0"	D01	SOLID CORE WD	F01	HM.	DH07	DJ07	DS11	10	45 MINS.	
1110.1	3'-0"	7'-0"	D01	SOLID CORE WD	F01	HM.	DH07	DJ07	DS11	10	45 MINS.	
1111	3'-0"	7'-0"	D01	SOLID CORE WD	F01	HM.	DH07	DJ07	DS04	08	45 MINS.	
1111.1	3'-0"	7'-0"	D01	SOLID CORE WD	F01	HM.	DH07	DJ07	DS04	08	45 MINS.	
1112	6'-0"	7'-0"	D03	HM.	F02	HM.	DH08	DJ08	DS12	03		
1112.1	3'-0"	7'-0"	D01	SOLID CORE WD	F01	HM.	DH07	DJ07	DS14	06		
1113	3'-0"	7'-0"	D01	SOLID CORE WD	F01	HM.	DH07	DJ07	DS15	06		
1114.1	6'-0"	7'-0"	D03	SOLID CORE WD	F02	HM.	DH09	DJ09	DS04	10		
1114.2	6'-0"	7'-0"	D04	SOLID CORE WD	F02	HM.	DH07	DJ07	DS02	10		
1115.1	6'-0"	7'-0"	D05	HM.	F01	HM.	DH08	DJ08	DS16	01		
1115.2	6'-0"	7'-0"	D04	SOLID CORE WD	F02	HM.	DH07	DJ07	DS02	10		
1116	6'-0"	7'-1 1/2"	D05	ALUM.	F03	ALUM.	DH02	DJ02	DS01	02		
1117	3'-0"	7'-0"	D01	SOLID CORE WD	F01	HM.	DH07	DJ07	DS15	07	45 MINS.	
1118	3'-0"	7'-0"	D01	SOLID CORE WD	F01	HM.	DH07	DJ07	DS15	07	45 MINS.	
1119	3'-0"	7'-0"	D01	SOLID CORE WD	F01	HM.	DH07	DJ07	DS03	09		
1120	3'-0"	7'-0"	D02	SOLID CORE WD	F01	HM.	DH07	DJ07	DS03	09		
2101.1	3'-0"	7'-0"	D02	SOLID CORE WD	F01	HM.	DH07	DJ07	DS05	16	45 MINS.	
2101.2	3'-0"	7'-0"	D01	SOLID CORE WD	F01	HM.	DH11	DJ11	DS05	16	45 MINS.	
2101.3	3'-0"	7'-0"	D01	SOLID CORE WD	F01	HM.	DH11	DJ11	DS05	05	45 MINS.	



JOB NAME: BEACH HIGH SCHOOL AUDITORIUM
3001 Higgins Street
Savannah, Georgia 31405
Chatham County Public School System

SHEET NAME: DOOR SCHEDULE AND DETAILS

J. W. ROBINSON & ASSOCIATES, INC.
ARCHITECTS • INTERIOR DESIGNERS • URBAN PLANNERS •
1020 RALPH DAVID ABERNATHY BLVD., S.W., ATLANTA, GEORGIA 30310
PHONE: (404) 753-4129 FAX: (404) 753-4435



201801
DRAWN: CDB CHECKED: SJ
DATE: SEPT. 4, 2018 100% SCHEMATIC DESIGN
OCT. 29, 2018 100% DESIGN DEVELOPMENT
APRIL 5, 2019 80% CONST. DOCUMENTS
MAY 17, 2019 100% CONST. DOCUMENTS

In Association With
ARCHITECTS
301 W. Broughton St. #301
Savannah, GA. 30401
Ph: 912-232-5561

RELEASED FOR CONSTRUCTION
FACILITY CODE: 625-0312

SHEET NUMBER
A8.02