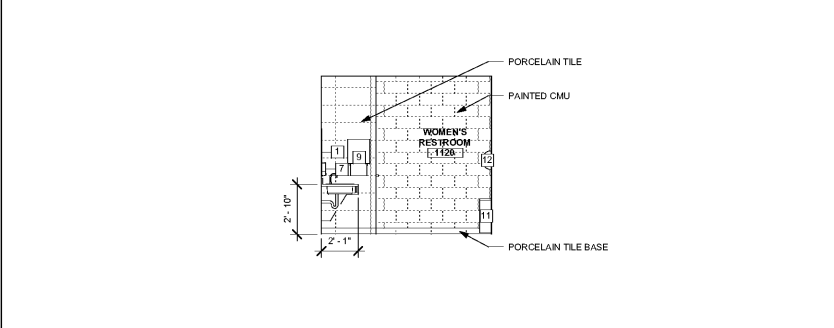
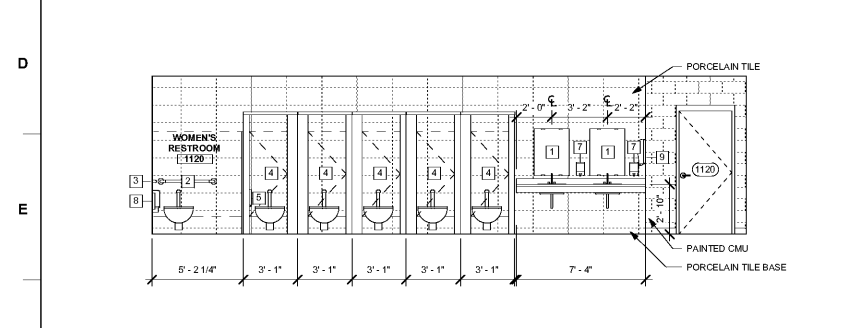


TOILET ACCESSORIES SCHEDULE		
NO.	ITEM	REMARKS
1	MIRROR	18"X6" BOBRICK
2	GRAB BAR	CONCEALED MOUNTED, 36" LONG
3	GRAB BAR	CONCEALED MOUNTED 18 GA, 42" LONG B-6806
4	TOILET PARTITION	HDPE (STAR BOARD)
5	TOILET PAPER DISPENSER	SURFACE MOUNTED, VONDREHEULE 3253 TWIN JUMBO ROLL DISPENSER
6	SANITARY NAPKIN DISPOSAL	SURFACE MOUNTED, BOBRICK B 270
7	SOAP DISPENSER	SURFACE MOUNTED, SPATAN 975600 LIT N FOAMY WHITE
8	TOILET SEAT COVER DISPENSER	SURFACE MOUNTED
9	PAPER TOWEL DISPENSER	WAUSAU PAPER (BAY WEST) OPTISERV ROLL TOWEL DISPENSER MODEL # 86800 BLACK TRANSLUCENT
10	COAT HOOK	MOUNTED ON DOOR, POLISHED STAINLESS STEEL
11	WASTE RECEPTACLE	WALL MOUNTED
12	HAND DRYER	ELECTRIC HAND DRYER, XLERATOR WITH NOISE REDUCER NOZZLE, SENSOR

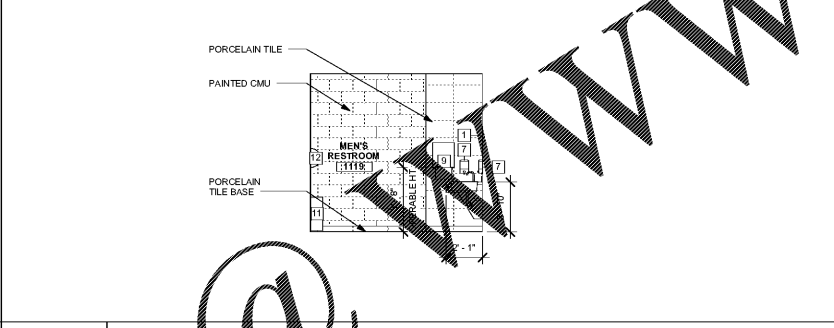
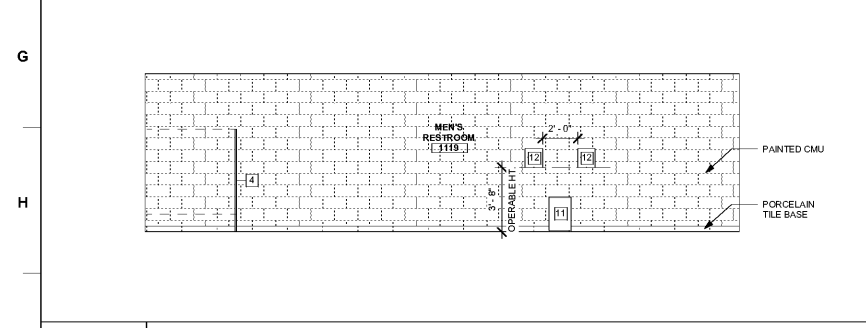
2 INTERIOR ELEVATION
1/4" = 1'-0"

3 INTERIOR ELEVATION
1/4" = 1'-0"



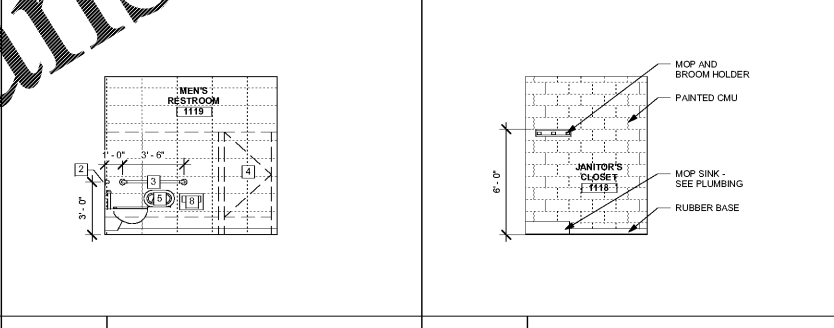
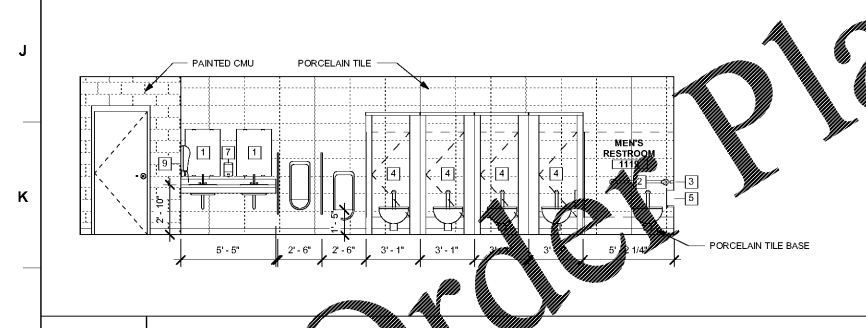
4 INTERIOR ELEVATION
1/4" = 1'-0"

5 INTERIOR ELEVATION
1/4" = 1'-0"



6 INTERIOR ELEVATION
1/4" = 1'-0"

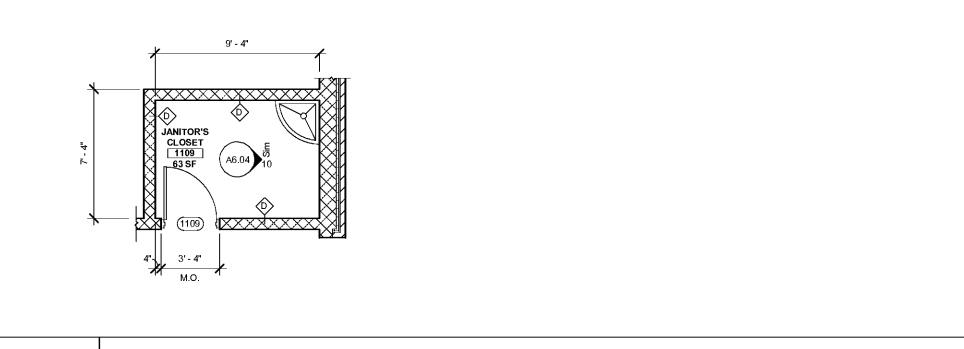
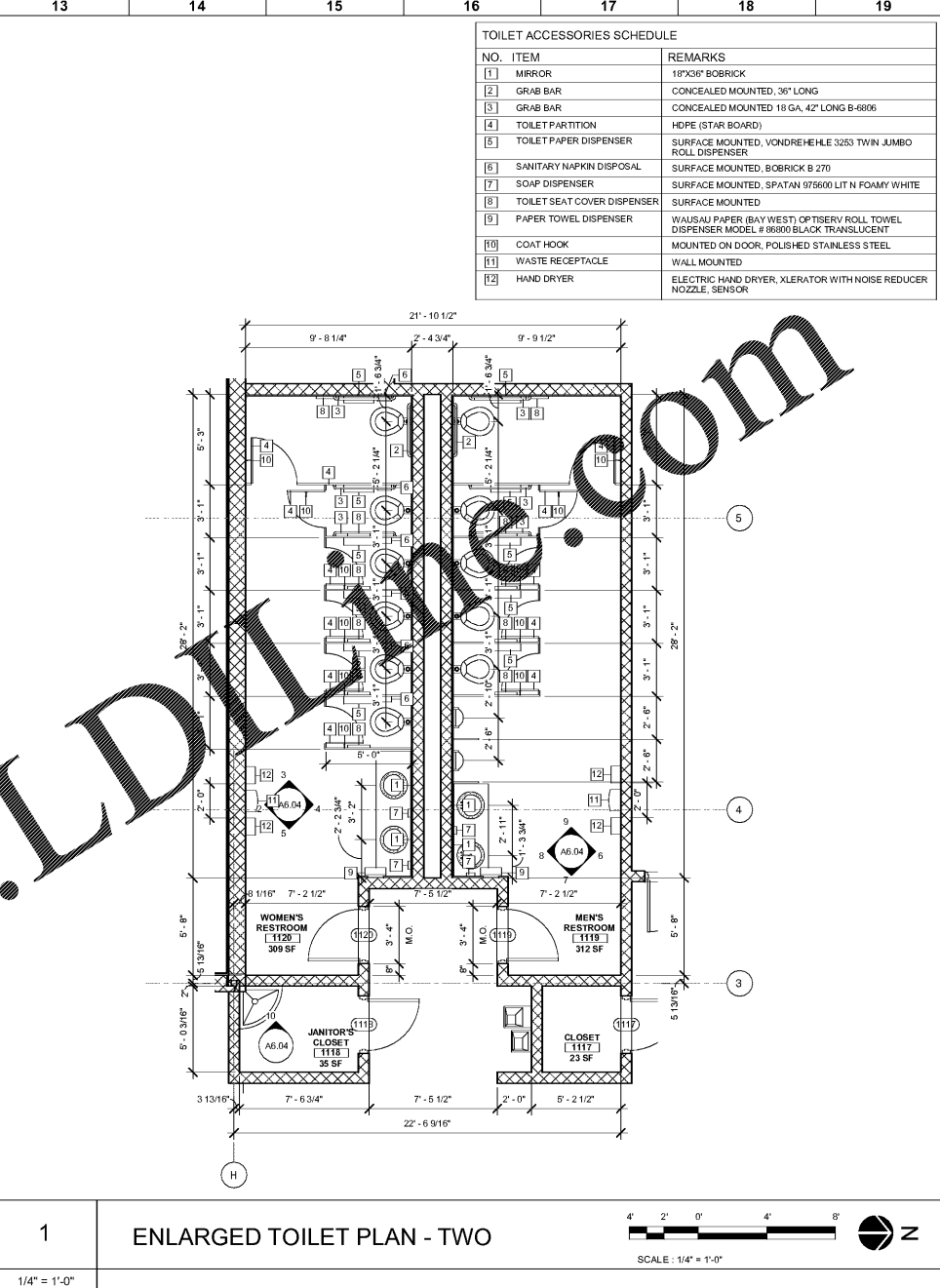
7 INTERIOR ELEVATION
1/4" = 1'-0"



8 INTERIOR ELEVATION
1/4" = 1'-0"

9 INTERIOR ELEVATION
1/4" = 1'-0"

10 INTERIOR ELEVATION
1/4" = 1'-0"



11 JANITOR'S CLOSET 1109
1/4" = 1'-0"



JOB NAME: BEACH HIGH SCHOOL AUDITORIUM
3001 Higgins Street
Savannah, Georgia 31405
Chatham County Public School System

SHEET NAME: ENLARGED TOILET PLAN AND INTERIOR ELEVATIONS

J. W. ROBINSON & ASSOCIATES, INC.
ARCHITECTS • INTERIOR DESIGNERS • URBAN PLANNERS •
1020 RALPH DAVID ABERNATHY BLVD., S.W., ATLANTA, GEORGIA 30310
PHONE: (404) 753-4129 FAX: (404) 753-4435



DATE	BY	REVISIONS
APRIL 5, 2019	100% CONST. DOCUMENTS	
MAY 17, 2019	100% CONST. DOCUMENTS	

106 NO. 201801
DRAWN: CDB
CHECKED: SJ
DATE: SEPT 4, 2018 100% SCHEMATIC DESIGN
OCT. 29, 2018 100% DESIGN DEVELOPMENT
APRIL 5, 2019 60% CONST. DOCUMENTS
MAY 17, 2019 100% CONST. DOCUMENTS

In Association With
ARCHITECTS
301 W. Broughton St. #301
Savannah, GA. 30401
Ph: 912-232-5561

RELEASED FOR CONSTRUCTION
FACILITY CODE: 625-0312

A6.04