

TOILET ACCESSORIES SCHEDULE		
NO.	ITEM	REMARKS
[1]	MIRROR	18"X36" BOBRICK
[2]	GRAB BAR	CONCEALED MOUNTED, 36" LONG
[3]	GRAB BAR	CONCEALED MOUNTED 18 GA. 42" LONG B-6806
[4]	TOILET PARTITION	HDPE (STAR BOARD)
[5]	TOILET PAPER DISPENSER	SURFACE MOUNTED, VONDERHEHE 3253 TWIN JUMBO ROLL DISPENSER
[6]	SANITARY NAPKIN DISPOSAL	SURFACE MOUNTED, BOBRICK B 270
[7]	SOAP DISPENSER	SURFACE MOUNTED, SPATAN 975500 LIT N FOAMY WHITE
[8]	TOILET SEAT COVER DISPENSER	SURFACE MOUNTED
[9]	PAPER TOWEL DISPENSER	WAUSAU PAPER (BAY WEST) OPTSERV ROLL TOWEL DISPENSER MODEL # 8890 BLACK TRANSLUCENT
[10]	COAT HOOK	MOUNTED ON DOOR, POLISHED STAINLESS STEEL
[11]	WASTE RECEPTACLE	WALL MOUNTED
[12]	HAND DRYER	ELECTRIC HAND DRYER, XLERATOR WITH NOISE REDUCER NOZZLE, SENSOR



JOB NAME: BEACH HIGH SCHOOL AUDITORIUM  
3001 Higgins Street  
Savannah, Georgia 31405  
Chatham County Public School System

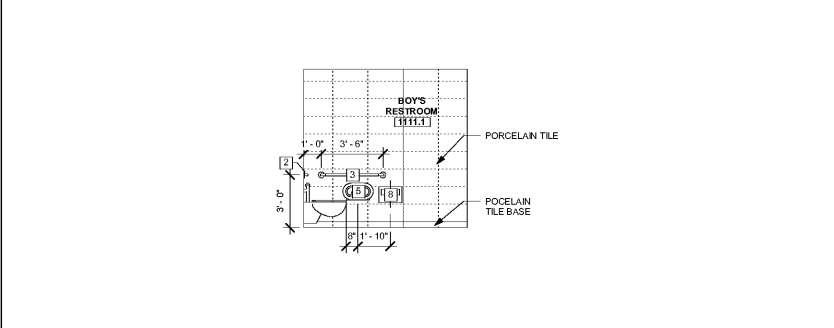
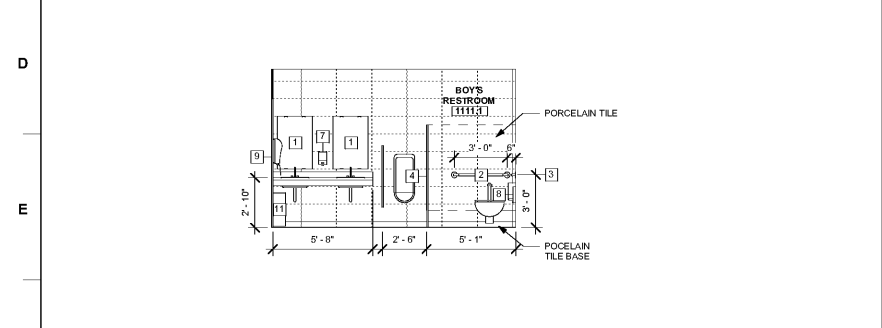
SHEET NAME: ENLARGED TOILET PLAN AND INTERIOR ELEVATIONS

J. W. ROBINSON & ASSOCIATES, INC.  
ARCHITECTS • INTERIOR DESIGNERS • URBAN PLANNERS •  
1020 RALPH DAVID ABERNATHY BLVD., S.W., ATLANTA, GEORGIA 30310  
PHONE: (404) 753-4129 FAX: (404) 753-4435



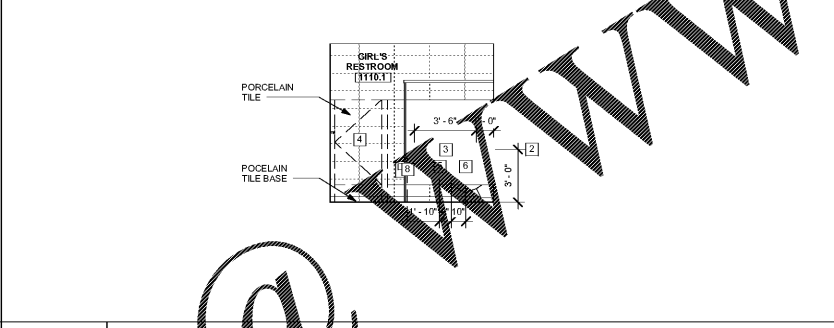
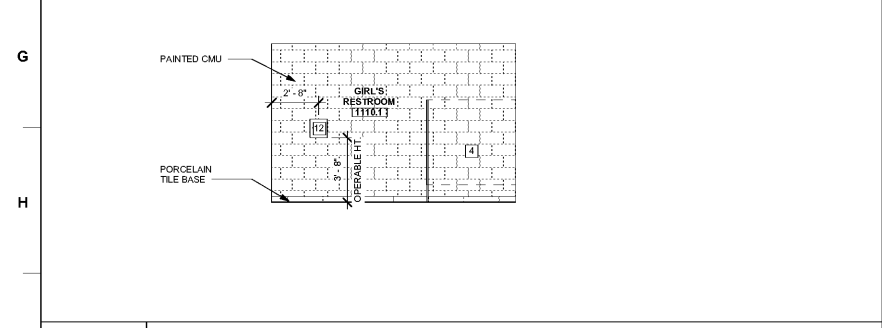
3 INTERIOR ELEVATION  
1/4" = 1'-0"

4 INTERIOR ELEVATION  
1/4" = 1'-0"



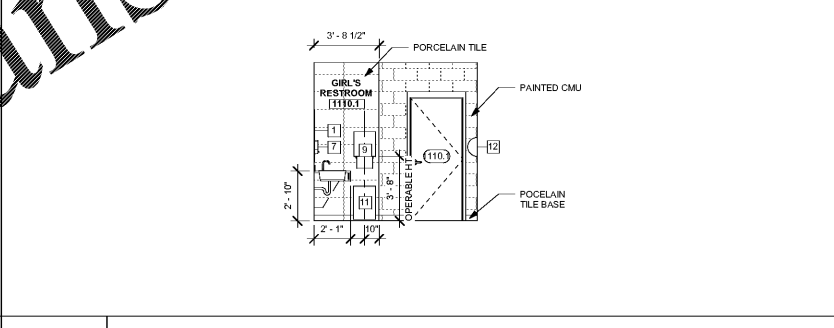
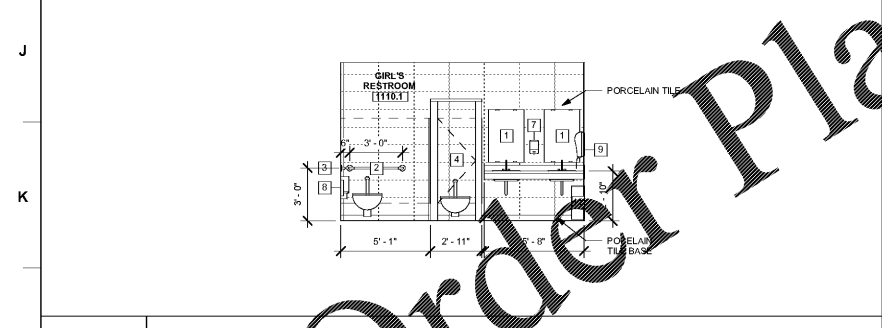
5 INTERIOR ELEVATION  
1/4" = 1'-0"

6 INTERIOR ELEVATION  
1/4" = 1'-0"



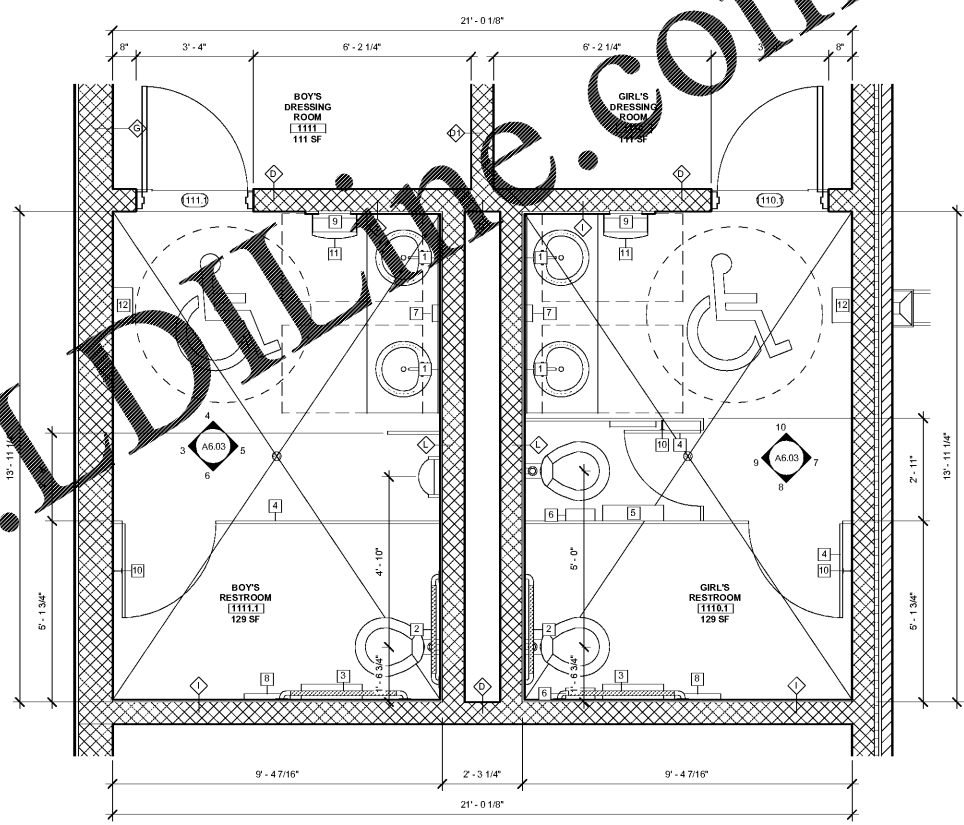
7 INTERIOR ELEVATION  
1/4" = 1'-0"

8 INTERIOR ELEVATION  
1/4" = 1'-0"



9 INTERIOR ELEVATION  
1/4" = 1'-0"

10 INTERIOR ELEVATION  
1/4" = 1'-0"



1 ENLARGED TOILET PLAN - ONE  
1/2" = 1'-0"  
SCALE: 1/4" = 1'-0"

In Association With  
**SAVANNAH**  
ARCHITECTS  
301 W. Broughton St. #301  
Savannah, GA. 30401  
Ph: 912-232-5561

JOB NO. 201801  
DRAWN: CDB  
CHECKED: SJ  
DATE: SEPT. 4, 2018 100% SCHEMATIC DESIGN  
OCT. 29, 2018 100% DESIGN DEVELOPMENT  
APRIL 5, 2019 80% CONST. DOCUMENTS  
MAY 17, 2019 100% CONST. DOCUMENTS

SHEET NUMBER  
A6.03

RELEASED FOR CONSTRUCTION  
FACILITY CODE: 625-0312

Order Plans @ www.JWDilline.com