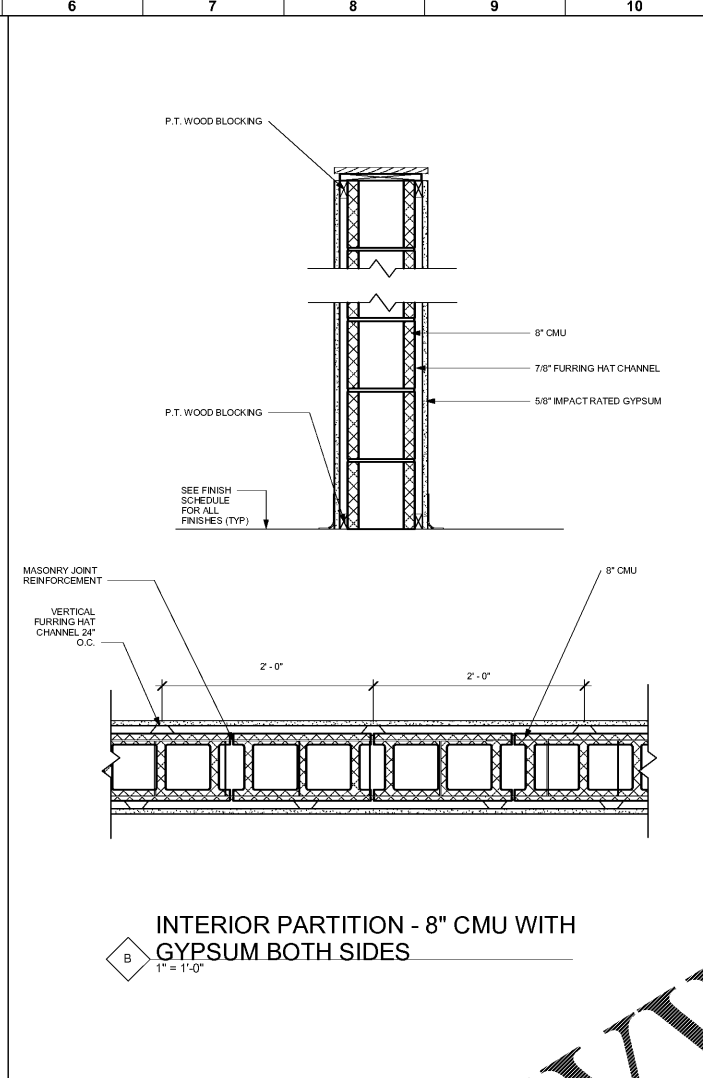


A1 INTERIOR PARTITION
1" = 1'-0"

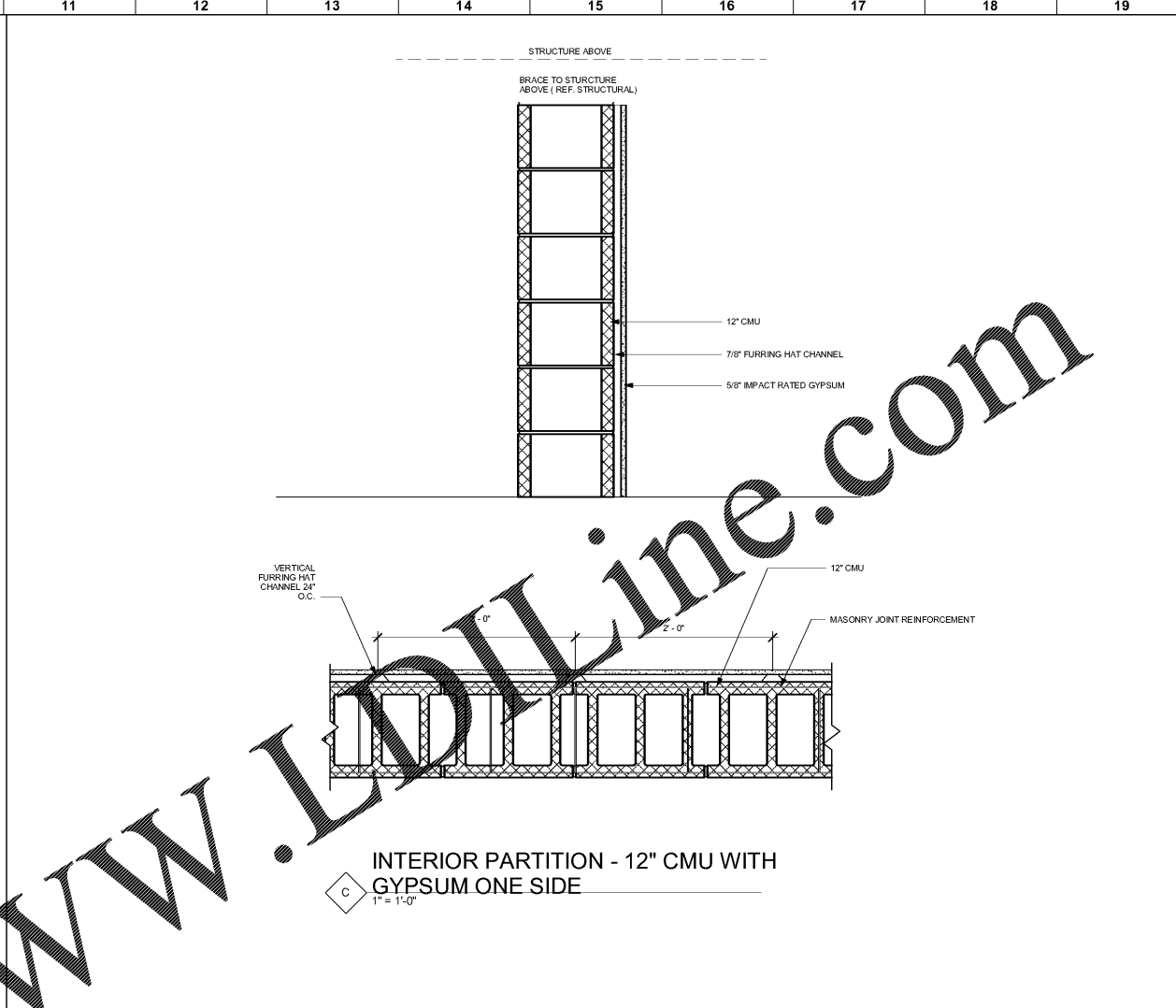
A2 INTERIOR PARTITION (NON-RATED)
1" = 1'-0"

3/8" MTL STUD FRAMING

UL DESIGN NO. U419 - 1 HR RATED

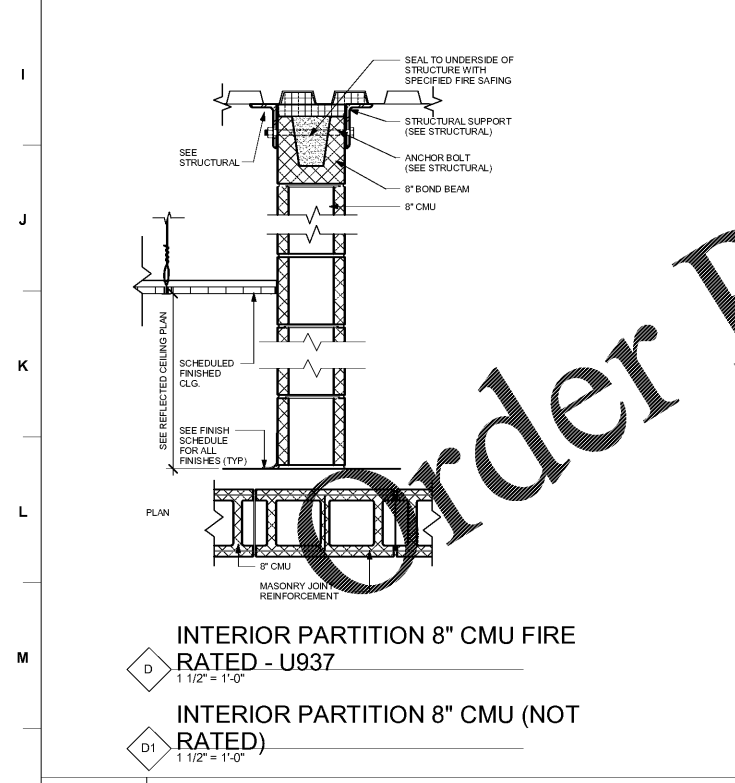


B INTERIOR PARTITION - 8" CMU WITH GYPSUM BOTH SIDES
1" = 1'-0"



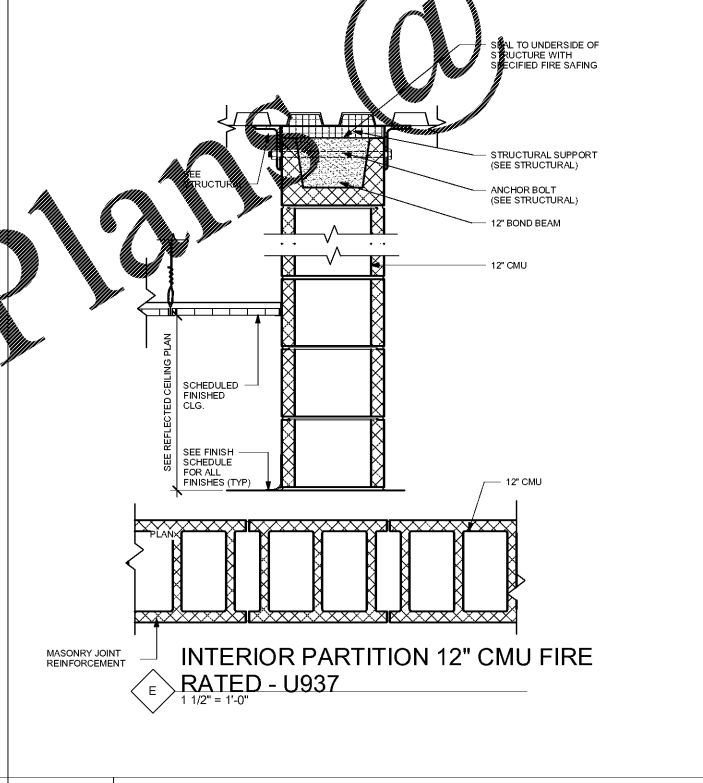
C INTERIOR PARTITION - 12" CMU WITH GYPSUM ONE SIDE
1" = 1'-0"

H	A	WALL TYPE - GWB AND MTL STUD (SEALED)	B	WALL TYPE-8" CMU W/ GYPSUM BOTH SIDES	C	WALL TYPE- 12" CMU W/ GYPSUM
		1 1/2" = 1'-0"		1 1/2" = 1'-0"		1 1/2" = 1'-0"

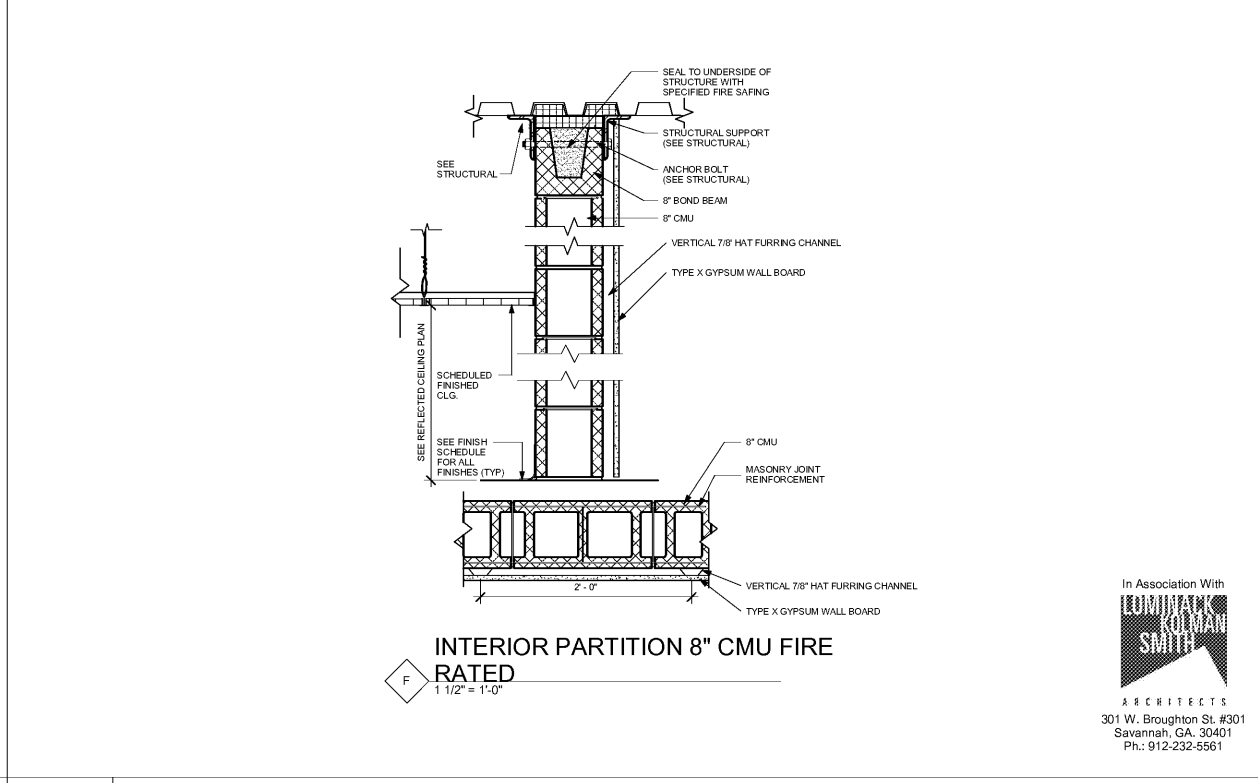


D INTERIOR PARTITION 8" CMU FIRE RATED - U937
1 1/2" = 1'-0"

D1 INTERIOR PARTITION 8" CMU (NOT RATED)
1 1/2" = 1'-0"



E INTERIOR PARTITION 12" CMU FIRE RATED - U937
1 1/2" = 1'-0"



F INTERIOR PARTITION 8" CMU FIRE RATED
1 1/2" = 1'-0"

N	D	WALL TYPE - CMU (SEALED AT STRUCTURE)	E	WALL TYPE - 12" CMU (SEALED AT STRUCTURE)	7	WALL TYPE - CMU W GYPSUM ONE SIDE (SEALED AT STRUCTURE)
		1 1/2" = 1'-0"		1 1/2" = 1'-0"		1 1/2" = 1'-0"




BEACH HIGH SCHOOL AUDITORIUM
3001 Higgins Street
Savannah, Georgia 31405
Chatham County Public School System

JOB NAME: BEACH HIGH SCHOOL AUDITORIUM
SHEET NAME: WALL TYPES

J. W. ROBINSON & ASSOCIATES, INC.
ARCHITECTS • INTERIOR DESIGNERS • URBAN PLANNERS •
1020 RALPH DAVID ABERNATHY BLVD., S.W., ATLANTA, GEORGIA 30310
PHONE: (404) 753-4129 FAX: (404) 753-4435



JOB NO.	201801	CHECKED	CHECKER	REVISED	DATE	BY	REVISION
DESIGN	Author	100% SCHEMATIC DESIGN			OCT. 29, 2018		
100% DESIGN DEVELOPMENT					APRIL 5, 2019		
80% CONST. DOCUMENTS					MAY 17, 2019		
100% CONST. DOCUMENTS							

In Association With

ARCHITECTS
301 W. Broughton St. #301
Savannah, GA. 30401
Ph: 912-232-5561

SHEET NUMBER
LS1.04

Order Plans @ www.LDLine.com

RELEASED FOR CONSTRUCTION
FACILITY CODE: 625-0312