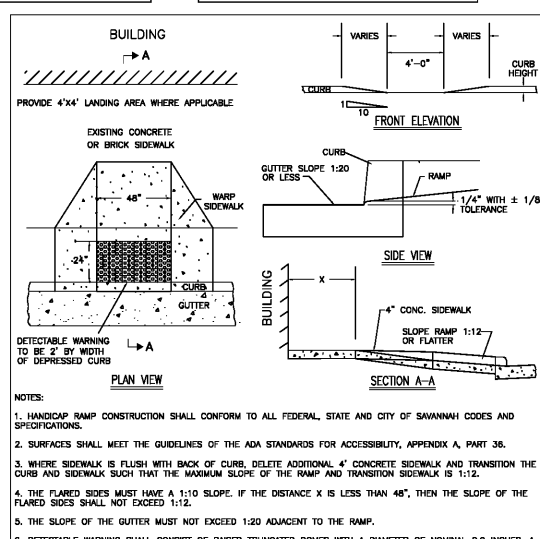
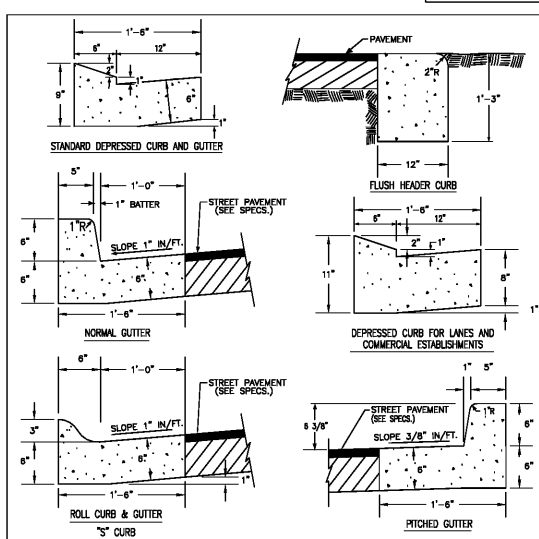
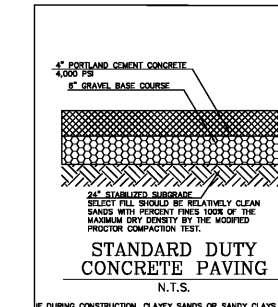
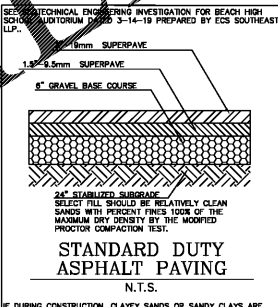
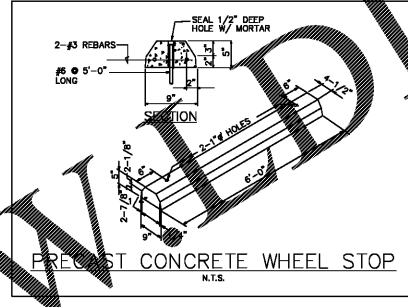
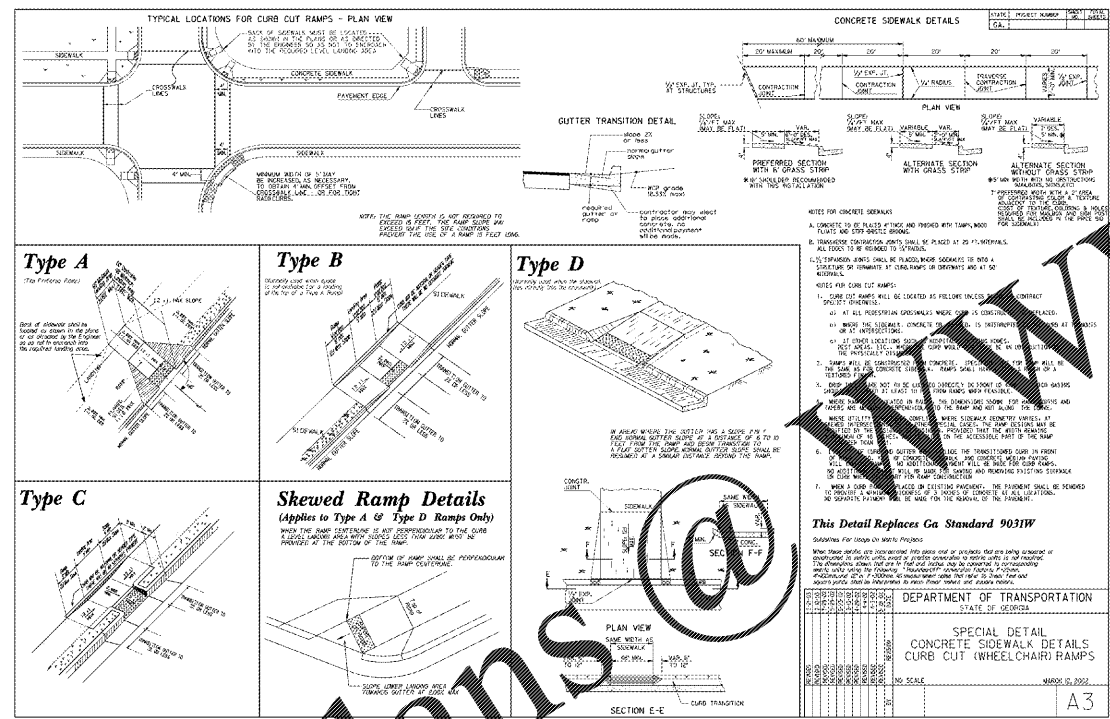
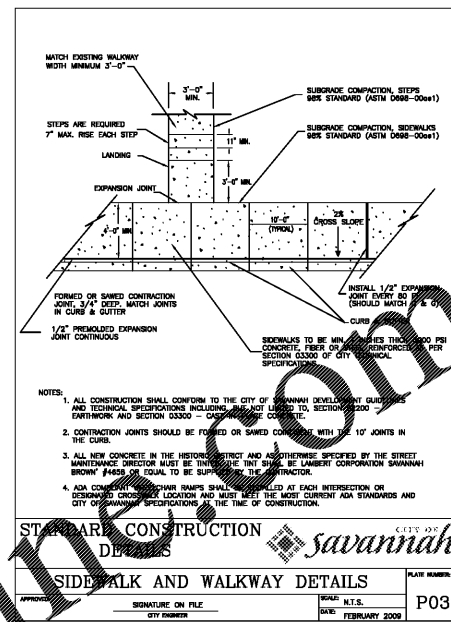
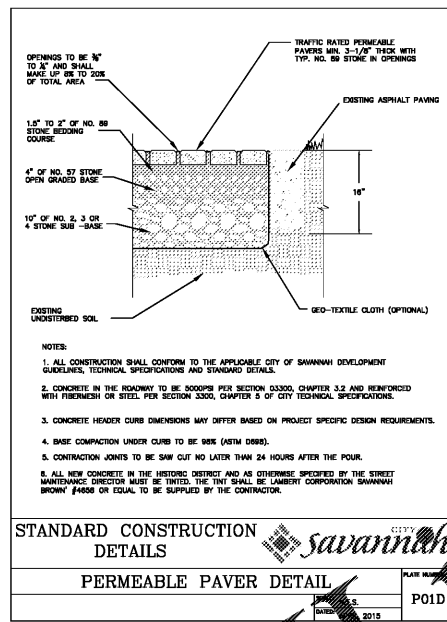
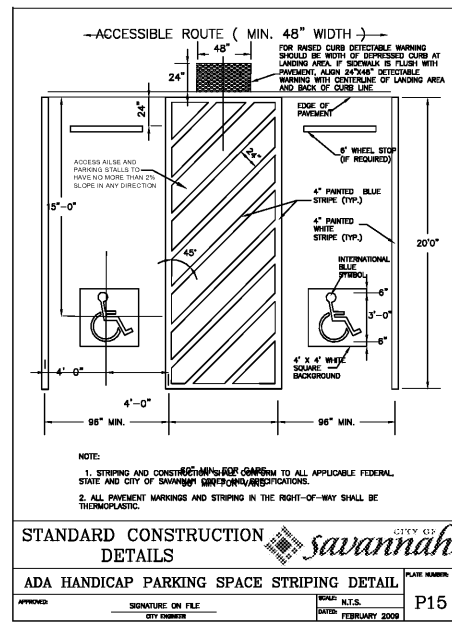
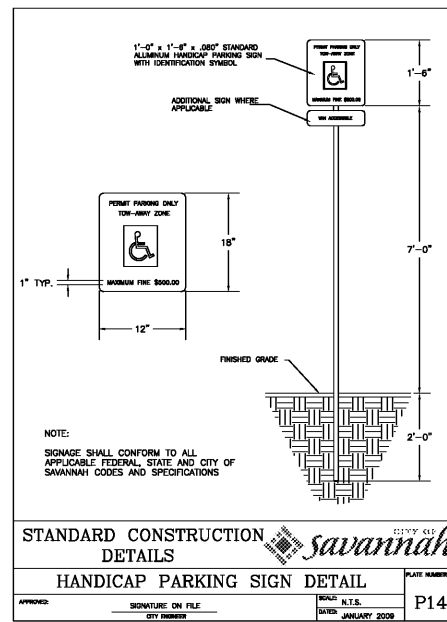


Order Plans @



BEACH HIGH SCHOOL AUDITORIUM
3001 Highways Street
Savannah, Georgia 31405
Chatham County Public School System

JOB NAME: BEACH HIGH SCHOOL AUDITORIUM
SHEET NAME: SITE LAYOUT

J. W. ROBINSON & ASSOCIATES, INC.
ARCHITECTS • INTERIOR DESIGNERS • URBAN PLANNERS •
1020 RALPH DAVID ABERNATHY BLVD., S.W., ATLANTA, GEORGIA 30310
PHONE: (404) 513-4129 FAX: (404) 753-4435



JOB NO: 201801
DRAWN: DVA
CHECKED: DNB
DATE: SEPT 14, 2018 100% SCHEMATIC DESIGN
OCT 29, 2018 100% DESIGN DEVELOPMENT
APRIL 5, 2019 80% CONST. DOCUMENTS
MAY 17, 2019 100% CONST. DOCUMENTS

REVISIONS

SHEET NUMBER

SITE DETAILS



7 East Congress Street • Suite 306 • Savannah, Georgia 31401
Phone: 912-721-6999
www.wolverton.com

NOT RELEASED FOR CONSTRUCTION
FACILITY CODE: 625-0312

D-1