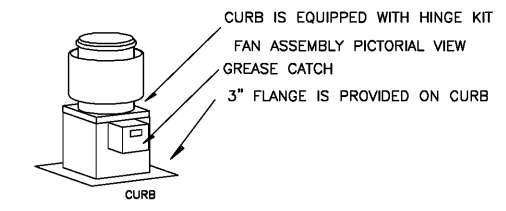
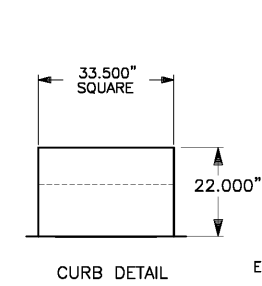
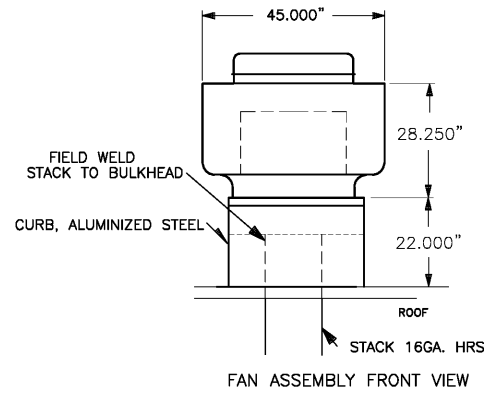
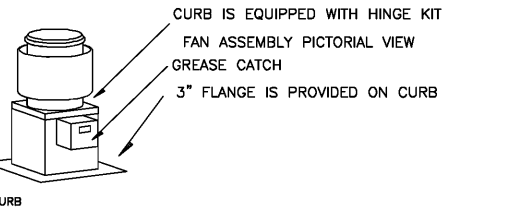
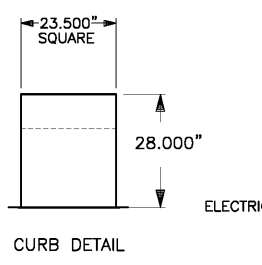
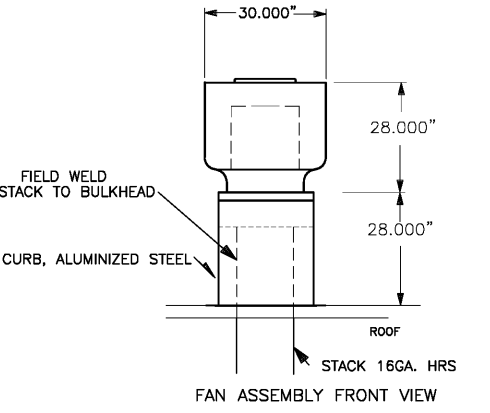


FAN NOTES:
 1. WIRING AND INSTALLATION TO BE PER APPLICABLE NATIONAL ELECTRICAL CODE AND BUILDING CODES.
 2. ALWAYS TURN THE FAN ELECTRICAL DISCONNECT SWITCH OR SWITCHES TO THE OFF POSITION BEFORE CLEANING OR SERVICING FANS.
 3. INTERLOCK MAKEUP AIR SUPPLY FAN WITH THE EXHAUST FANS PER APPLICABLE CODES.



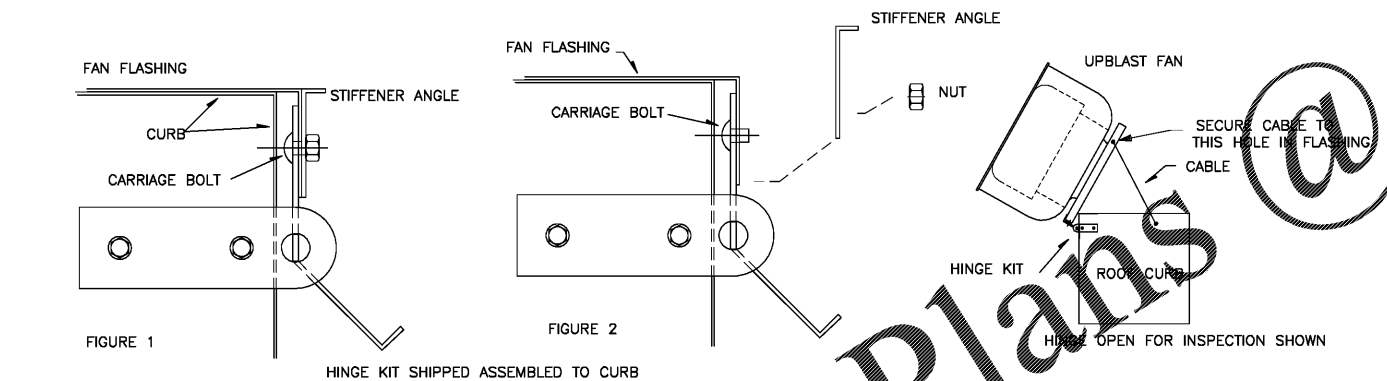
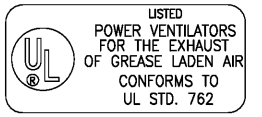
EF-1 135" FRYER/BROILER EXHAUST FAN

MODEL BCRUR-210 1HP 115V 1PH MOTOR CENTRIFUGAL UPBLAST
 FAN WEIGHT: 245 LBS



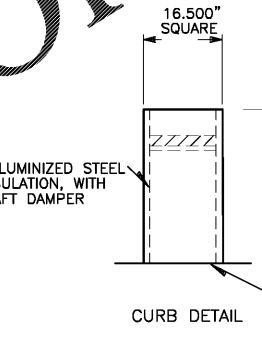
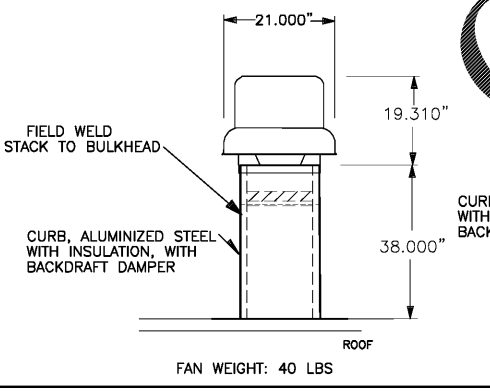
EF-2 52" FRYER EXHAUST FAN

MODEL BCRUR-110 1/2HP 115V 1PH MOTOR CENTRIFUGAL UPBLAST
 FAN WEIGHT: 135 LBS



- REMOVE STIFFENER ANGLE FROM HINGE ASSEMBLY ON CURB.
- PLACE EXHAUST FAN ON CURB TOP. MAKE SURE HINGE FLANGE IS BEHIND FAN FLASHING WITH CARRIAGE BOLT THROUGH HOLES IN FLASHING. SEE FIG. 2
- PLACE STIFFENER ANGLE ONTO FAN FLASHING ALIGNING HOLES WITH CARRIAGE BOLT THAT RUNS THROUGH HINGE AND FAN FLASHING. PLACE NUT BACK ONTO BOLT AND TIGHTEN SEE COMPLETE ASSEMBLY FIGURE 1
- SECURE CABLE TO HOLE IN FAN FLASHING USING NUT AND BOLT SHIPPED WITH CABLE.

EXHAUST FAN HINGE KIT DETAIL



**EF-3 RESTROOM EXHAUST FAN
 EF-4 UTILITY AREA EXHAUST FAN**

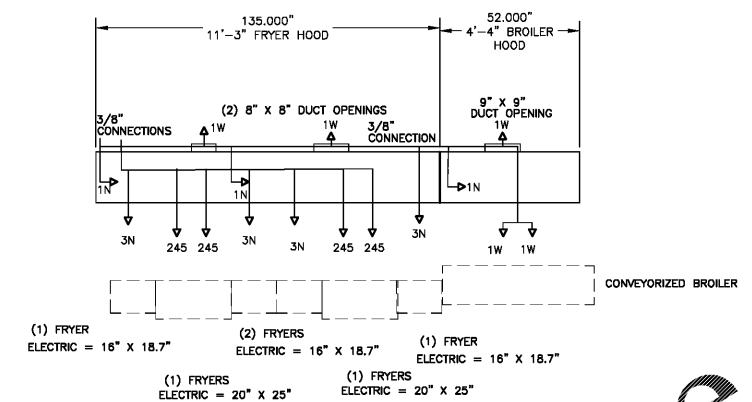
MODEL DCRD-100 1/8HP 115V 1PH MOTOR DOWN DISCHARGE
 FAN WEIGHT: 40 LBS

3" FLANGE IS PROVIDED ON CURB

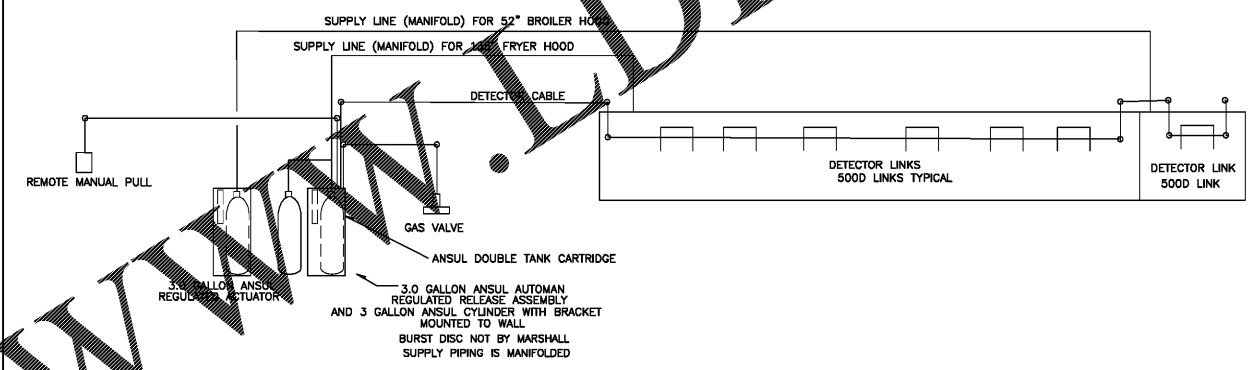


Marshall Air Systems, Inc.
 419 Peachtree Drive South
 Charlotte, NC 28217
 (704) 525 - 6230

Food Service Equipment
 Engineered with Innovation.

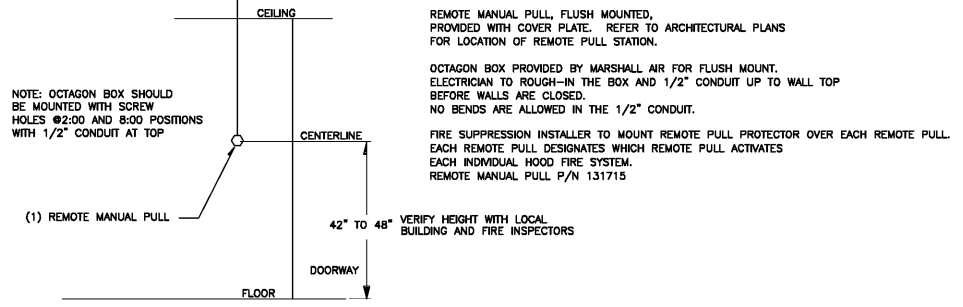


FRYER/BROILER HOOD FIRE PIPING SCHEMATIC



ANSUL R102 TANK / DETECTOR SCHEMATIC

BROILER HOOD: 3 GALLON CYLINDER
 DESIGN FLOW POINTS: 11
 CYLINDER CAPACITY: 11
 FRYER HOOD: (2) 3 GALLON CYLINDER MANIFOLD SYSTEM
 DESIGN FLOW POINTS: 20
 CYLINDER CAPACITY: 22



REMOTE MANUAL PULL DETAIL

| FIRE PROTECTION SYSTEM | | HOOD #1 AND #2 FRYER/BROILER HOODS | | SUPPLIED BY: | | | | |
|------------------------|----------|---|---|--------------|---|---|---|---|
| QTY | PART NO. | DESCRIPTION | M | G | I | F | H | P |
| 1 | | 9 GALLON ANSUL SYSTEM CONSISTING OF: | X | | | | | |
| 1 | 503203 | 3.0 GALLON ANSUL AUTOMAN REG. RELEASE ASSEMBLY AUTOMAN | X | | | | | |
| 1 | 503205 | 3.0 GAL ANSUL CYLINDER W/ MOUNTING BRACKET | X | | | | | |
| 1 | 503402 | 3.0 GAL ANSUL REGULATED ACTUATOR | X | | | | | |
| 1 | 503221 | 3.0 GALLON ANSULEX AGENT #79372 | X | | | | | |
| 1 | 50346 | 500 DEGREE DETECTOR LINK #56816 | X | | | | | |
| 1 | 503168 | REMOTE MANUAL PULL #4835 | X | | | | | |
| 1 | 503442 | REMOTE MANUAL PULL BOX 4" OCTAGONAL, RACO #185 | X | | | | | |
| 1 | 500354 | DETECTOR CABLE #79653 100 FT. LENGTH | X | | | | | |
| 1 | 503406 | ANSUL ELECTRIC SWITCH #32220 4PT - FIELD INSTALLED | X | | | | | |
| 8 | 500352 | CORNER PULLEY ELBOWS #415671 | X | | | | | |
| 1 | 503403 | DOUBLE TANK NITROGEN CARTRIDGE | X | | | | | |
| 1 | 500357 | 101-20 CARTRIDGE | X | | | | | |
| 1 | - | BURST DISC FOR MANIFOLDED PIPING FOR 144" HOOD | | | | | | X |
| 1 | 503407 | 2" GAS VALVE MECHANICAL W/ CYLINDER AND TUBING | X | | | | | |
| | | HOOD PREPIPING WITH NOZZLES FACTORY INSTALLED IN HOOD | X | | | | | |
| 1 | 503217 | DETECTOR BRACKET TERMINAL FACTORY INSTALLED IN HOOD | X | | | | | |
| 6 | 503176 | DETECTOR BRACKETS SERIES FACTORY INSTALLED IN HOOD | X | | | | X | |
| AS REQD | | 3/8" B.I.P. PIPE, SCH 40 FOR SUPPLY LINES | | | | | | X |
| AS REQD | | 3/8" B.I.P. PIPE FITTINGS FOR SUPPLY LINES | | | | | | X |
| AS REQD | | 1/2" EMT TUBE FOR DETECTOR LINE | | | | | | X |
| 1 | | INSTALL SYSTEM PIPING AND SYSTEM COMPONENTS | | | | | | X |
| 1 | | CONNECT GAS VALVE INSTALL GAS VALVE | | | | | | X |
| 1 | | INSTALL REMOTE MANUAL PULL AND CONDUIT OUT OF TOP OF WALL | | | | | | X |
| 1 | | INSTALL REMOTE PULL PROTECTOR TO RELEASE | | | | | | X |
| AS REQD | | FIRE EXTINGUISHERS AS REQUIRED BY AHJ | | | | | | X |

SUPPLIED BY SYMBOLS:
 M - MARSHALL AIR SYSTEMS
 G - GENERAL CONTRACTOR
 I - HOOD INSTALLER
 E - ELECTRICIAN
 F - FIRE SYSTEM INSTALLER
 H - HVAC CONTRACTOR
 P - PLUMBER

| INSTALLATION DRAWING INDEX NONHEATED MAKEUP AIR LOCATIONS | | |
|--|-------------|-----------------------------------|
| SHEET NO. | DRAWING NO. | TITLE |
| 1 | 402804SPL1 | GENERAL INDEX, AIR BALANCE, NOTES |
| 2 | 402805SPL1 | HOOD DETAILS |
| 3 | 402806SPL1 | EXHAUST FAN, FIRE SYSTEM |
| 4 | 402810SPL1 | NONHEATED MUA FAN, SCHEMATIC |

MARSHALL AIR SYSTEMS, INC.
 EXH SYS, CAPTAIN DS GAFFNEY
 EXHAUST FAN DETAILS, SCHEMATIC
 DRAWN BY: PW DATE: 9/18/2018
 PRODUCT NAME: EXH SYS
 PRODUCT CLASS: VNT
 INSTALLATION DWG
 SCALE: 1" = 1'-0" AS NOTED

This drawing is the property of Marshall Air Systems, Inc., and contains confidential and proprietary information of Marshall Air Systems, Inc. This drawing is provided to the recipient on loan only for purposes of reference, installation, use and/or maintenance of the depicted equipment of Marshall Air Systems, Inc., and for no other purpose. This drawing shall not be copied, reproduced, loaned, disposed of or otherwise disclosed to any third party, either directly or indirectly except in carrying out the aforesaid purposes, and shall be returned to Marshall Air Systems, Inc., upon request. The recipient's acceptance of this drawing shall be deemed to constitute express consent and agreement to the foregoing terms.

Order Plans @

WWW.IDIline.com