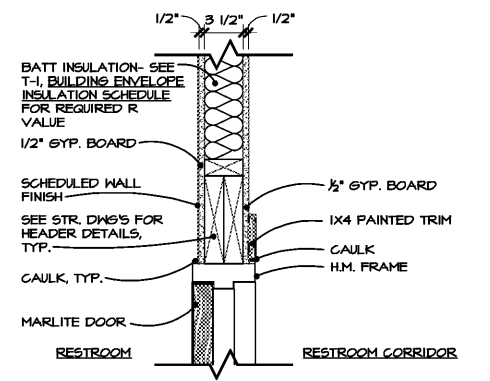
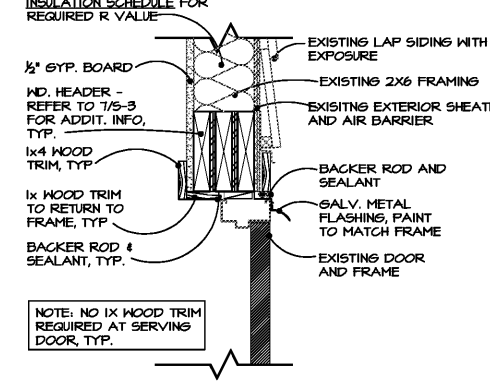


1 HEAD DETAIL
A-11.1 SCALE 1/2" = 1'-0"

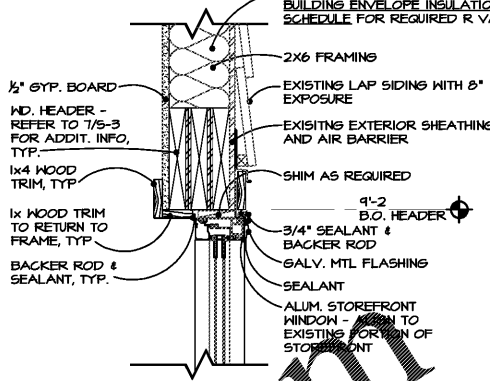
2 NOT USED
A-11.1 SCALE 1/2" = 1'-0"



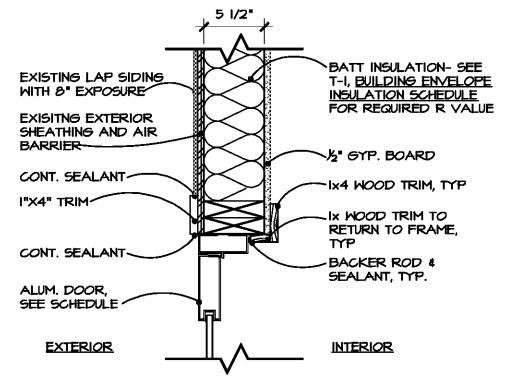
3 HEAD DETAIL
A-11.1 SCALE 1/2" = 1'-0"



4 HEAD DETAIL
A-11.1 SCALE 1/2" = 1'-0"

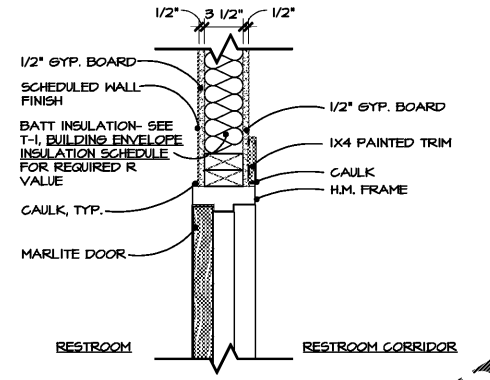


5 HEAD DETAIL
A-11.1 SCALE 1/2" = 1'-0"

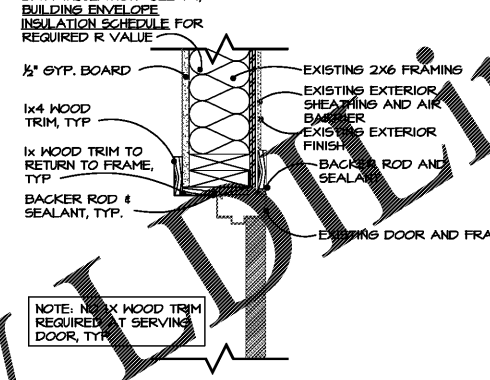


6 JAMB DETAIL
A-11.1 SCALE 1/2" = 1'-0"

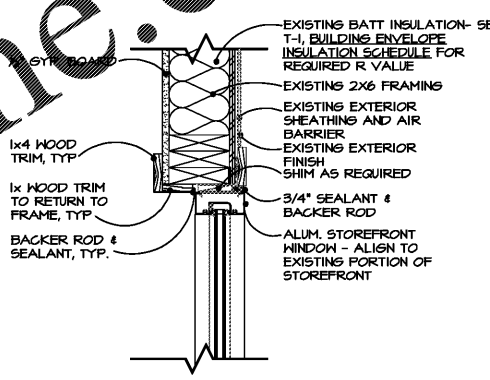
7 NOT USED
A-11.1 SCALE 1/2" = 1'-0"



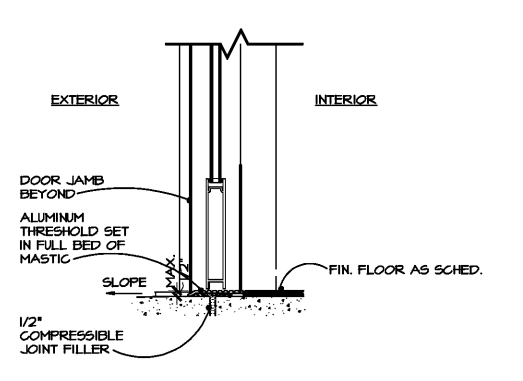
8 JAMB DETAIL
A-11.1 SCALE 1/2" = 1'-0"



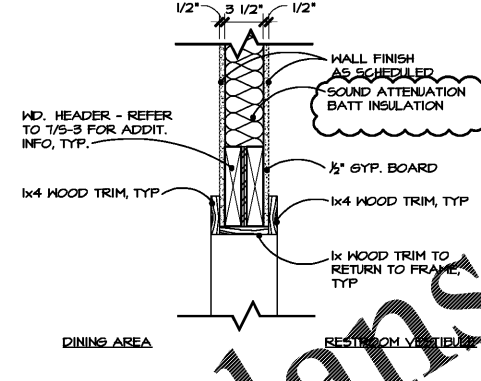
9 JAMB DETAIL
A-11.1 SCALE 1/2" = 1'-0"



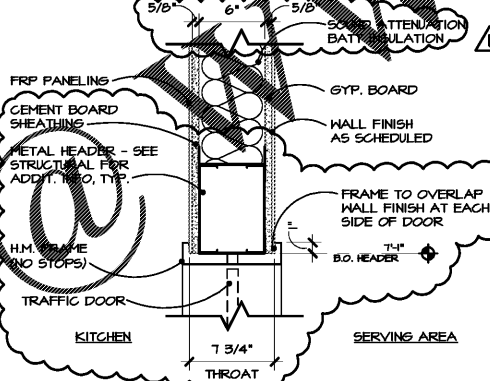
10 JAMB DETAIL
A-11.1 SCALE 1/2" = 1'-0"



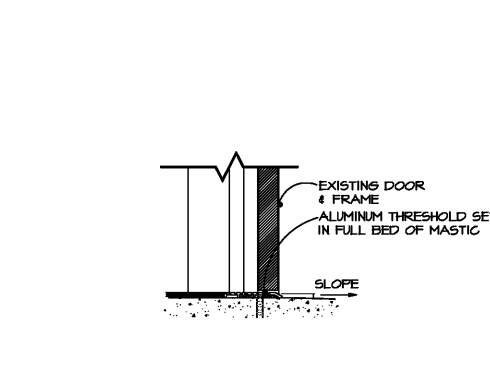
11 THRESHOLD DETAIL
A-11.1 SCALE 1/2" = 1'-0"



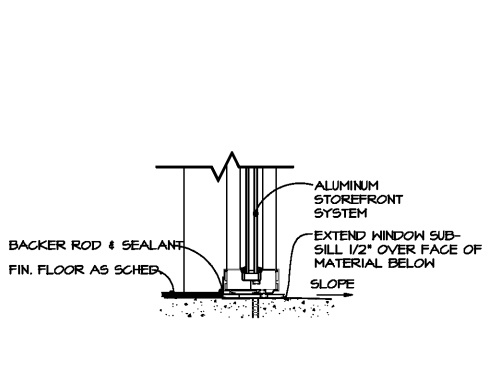
12 HEAD/JAMB DETAIL
A-11.1 SCALE 1/2" = 1'-0"



13 HEAD/JAMB DETAIL
A-11.1 SCALE 1/2" = 1'-0"



14 THRESHOLD DETAIL
A-11.1 SCALE 1/2" = 1'-0"



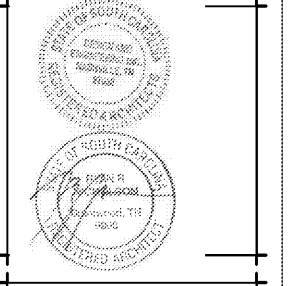
15 SILL DETAIL
A-11.1 SCALE 1/2" = 1'-0"

16 NOT USED
A-11.1 SCALE 1/2" = 1'-0"

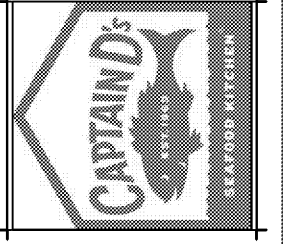
17 NOT USED
A-11.1 SCALE 1/2" = 1'-0"

Order Plans

D E S I G N
and
E N G I N E E R I N G
INC ARCHITECTS
STRUCTURAL AND CIVIL ENGINEERS
1645 Westgate Circle
Brentwood, Tennessee 37027
615-370-1779 fax: 370-9108
www.dandoinc.us



A NEW LOCATION FOR
CAPTAIN D'S
1236 W. FLOYD BAKER BLVD
GATFNEY, SC 29342
STAR CHAIN, INC.
11375 POINTE PLACE,
ROSWELL, GA 30076



Job Number:
68F-0011
Revisions:
5/1/19 - CODE COMMENTS

JANUARY 16, 2019
A-11.1
DOOR & WINDOW DTL'S
CONVERSION