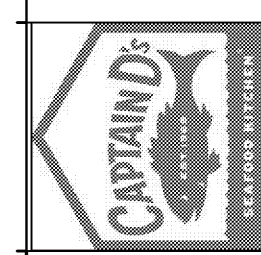




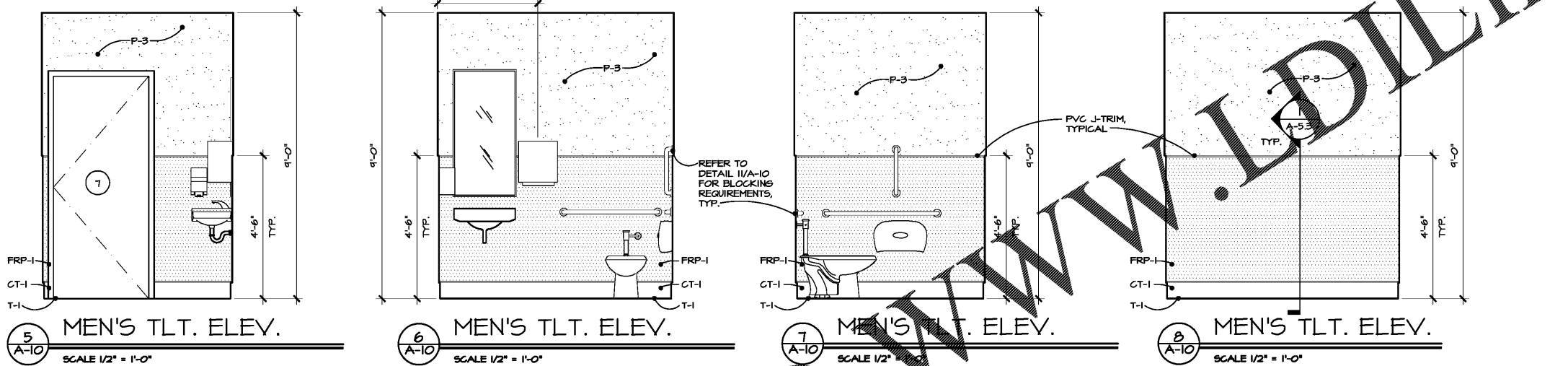
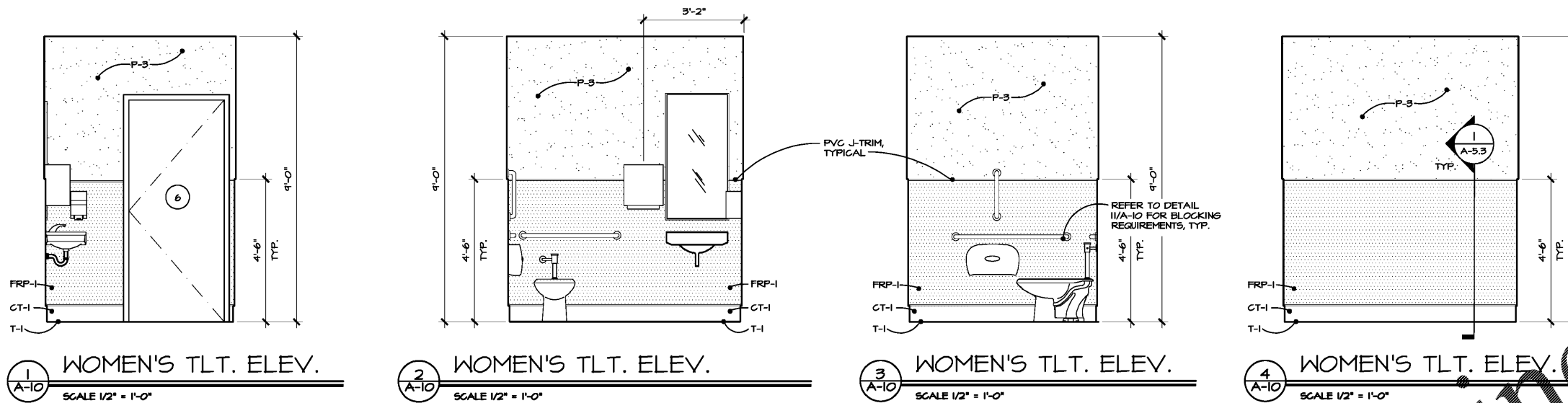
A NEW LOCATION FOR
CAPTAIN D'S
1236 W. FLOYD BAKER BLVD
GAFFNEY, SC 29342

STAR CHAIN, INC.
11375 POINTE PLACE,
ROSWELL, GA 30076

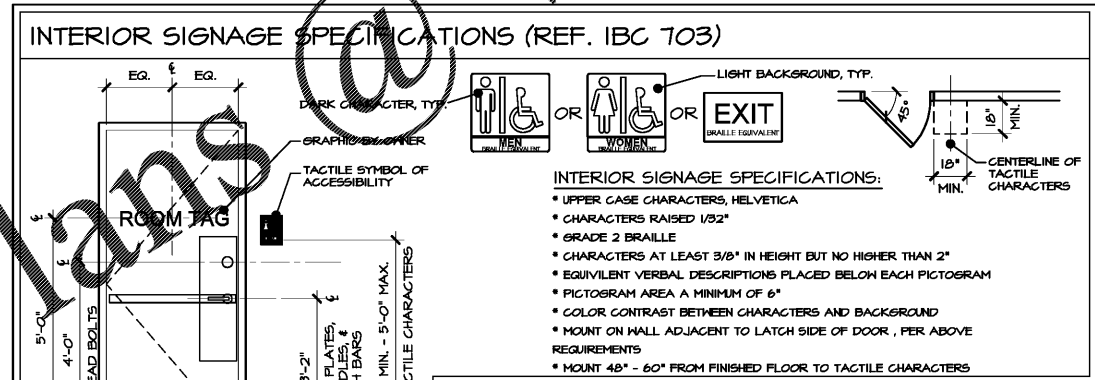
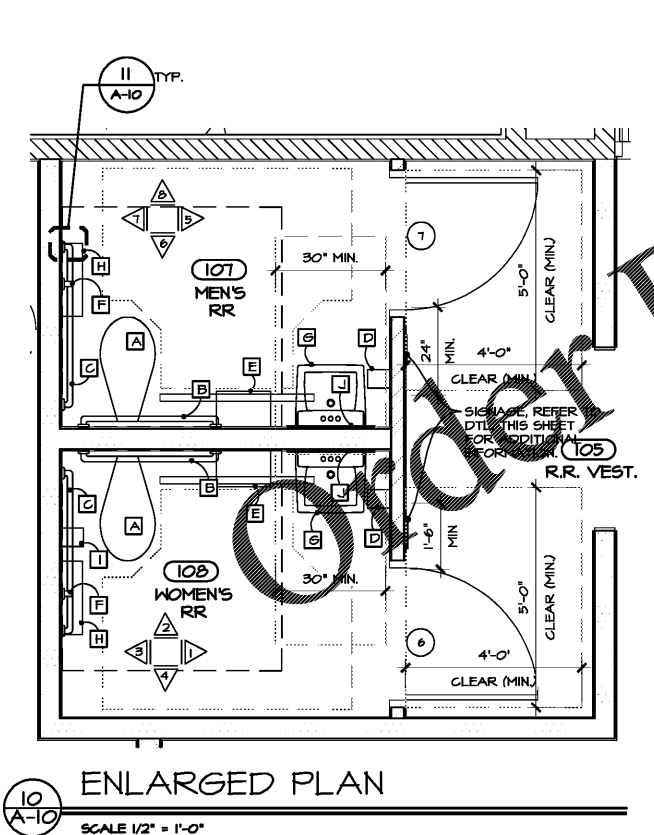


Job Number:
68F-0071
Revisions:

JANUARY 16, 2019
A-10
RESTROOM PLAN &
ELEVATIONS
CONVERSION



- GENERAL NOTES**
1. LOCATE DOOR BUMP ON HALL SO THAT DOOR DOES NOT HIT OR DAMAGE ADJACENT TOILET ACCESSORIES OR WALL.
 2. INSULATE ALL PIPING BELOW LAVATORIES.
 3. FLUSH CONTROL VALVE/HANDLE TO BE LOCATED ON THE ACCESSIBLE SIDE OF THE FIXTURE.
 4. VERIFY AND ADJUST WALL THICKNESS SHOWN ON PLANS TO ACCOMMODATE THE SPECIFIED CARRIERS FOR SINKS AND WATER CLOSETS.
 5. FIELD VERIFY AND CONFIRM LOCATION AND MOUNTING HEIGHT OF TOILET ACCESSORIES PRIOR TO INSTALLATION.
 6. SOME ITEMS/NOTES LISTED ABOVE MAY NOT BE USED.



TOILET ACCESSORIES SCHEDULE

MARK	QUANTITY	DESCRIPTION	MODEL
A	2	H.C. WATER CLOSET	SEE PLUMBING
B	2	36" GRAB BAR	AMERICAN SPECIALTIES, INC. #B200 X 36"
C	2	42" GRAB BAR	AMERICAN SPECIALTIES, INC. #B200 X 42"
D	2	SOAP DISPENSER	PROVIDED BY OWNER
E	2	PAPER TOWEL DISPENSER	PROVIDED BY OWNER
F	2	18" VERTICAL GRAB BAR	AMERICAN SPECIALTIES, INC. #B200 X 18"
G	2	H.C. SINK	SEE PLUMBING
H	2	SURFACE MOUNTED TOILET TISSUE DISPENSER	PROVIDED BY OWNER
I	1	SANITARY NAPKIN DISPOSAL	AMERICAN SPECIALTIES 20B52
J	2	24"x48" MIRROR WITH WELDED STAINLESS STEEL FRAME	BOBRICK, #B-290 244B

NOTE: ALL ITEMS IN RESTROOM TO BE SUPPLIED AND INSTALLED BY G.C., UNLESS NOTED OTHERWISE.

