

SEISMIC INFORMATION

SITE SPECIFIC INFORMATION

SEISMIC DESIGN CLASS - "C"
BUILDING USAGE - GROUP 1

ATTACHMENTS FOR CEILING DEVICES
IN CLASS "D" SEISMIC CONDITIONS

- DEVICES LESS THAN 20 LBS SHALL BE POSITIVELY ATTACHED TO GRID.
- DEVICES 20 TO 56 LBS SHALL BE POSITIVELY ATTACHED TO GRID & (2) 12 GA. WIRES TO STRUCTURE MAY BE SLACK.
- DEVICES OVER 56 LBS SHALL BE DIRECTLY SUPPORTED TO STRUCTURE.
- PROVIDE MIN. 2" DIAMETER OPENING, OR A SWING JOINT FOR SPRINKLER HEADS OR OTHER PIPING REQUIRING PENETRATION CLEARANCE.
- CABLE TRAYS AND ELECTRICAL CONDUITS SHALL BE INDEPENDENTLY SUPPORTED & BRACED.

BASIC NOTES FOR CONNECTIONS, PERIMETER, & LATERAL SPLAY BRACING FOR LAY-IN CEILING IN IBC CATEGORY "D" SEISMIC LOCATIONS

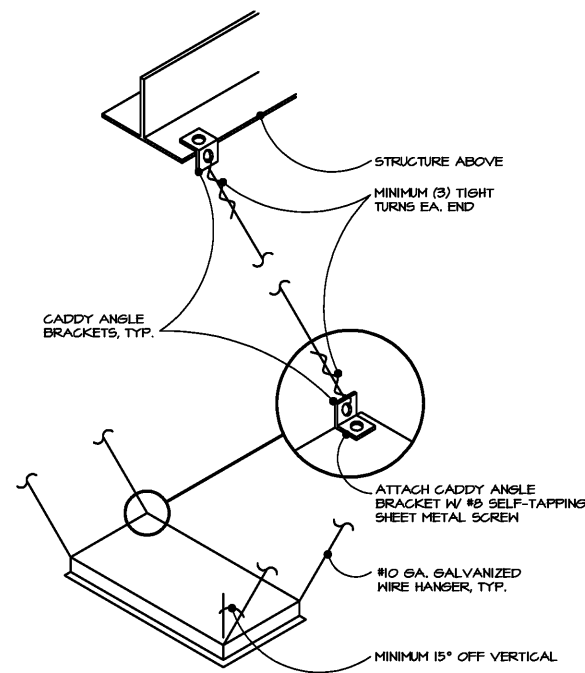
- MINIMUM INTERSECTION STRENGTHS = 100 LBS
- CONNECTION DEVICE FROM VERTICAL WIRE TO THE STRUCTURE ABOVE MUST SUSTAIN 100 LBS
- MAIN TEE CLASSIFICATION IS HEAVY DUTY
- 1 IN 6 MAX. FLUMB OF VERTICAL HANGING WIRES
- MIN. 3/4" GRID END / WALL CLEARANCE
- 2" MIN. PERIMETER CLOSURE WIDTH
- ATTACH GRID PERIMETER TO (2) ADJACENT WALLS
- TIE PERIMETER TEE ENDS TOGETHER @ PERIMETER.
- INSTALL HORIZONTAL RESTRAINT (SPLAY WIRES OR RIGID BRACINGS) WITHIN 2" OF INTERSECTION & SPLAYED 40° APART @ 45° ANGLES.
- PROVIDE & INSTALL COMPRESSION POSTS (STRUTS) 12" O.C. IN BOTH DIRECTIONS STARTING 6" FROM WALLS.
- PROVIDE SPLAY BRACING CONNECTION STRENGTH OF 200 LBS OR THE DESIGN LOAD, WHICHEVER IS GREATER.
- CEILING SPLAY BRACINGS SHALL BE INDEPENDENT OF PARTITION ATTACHMENT.
- AREAS GREATER THAN 2500 S.F. SHALL HAVE A SEISMIC SEPARATION JOINT.
- PROVIDE RIGID BRACINGS FOR CEILING PLANE ELEVATION CHANGES

LIGHT FIXTURE ATTACHMENT REQUIREMENTS FOR SEISMIC GROUP "D"

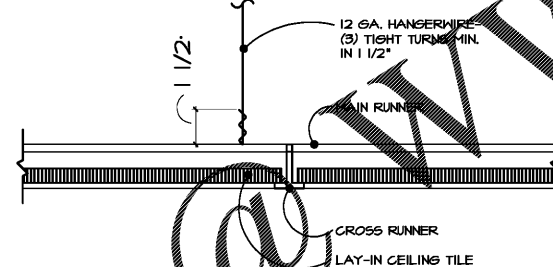
- ALL LIGHT FIXTURES SHALL BE MECHANICALLY ATTACHED TO GRID PER NEC 410-16 (2 PER FIXTURE UNLESS INDEPENDENTLY SUPPORTED).
- PENDANT-HUNG FIXTURES SHALL BE DIRECTLY SUPPORTED FROM STRUCTURE W/ #8 WIRE OR APPROVED ALTERNATE.
- RIGID LAY-IN OF CAN LIGHT FIXTURES SHALL BE ATTACHED AS FOLLOWS:
-LESS THAN 10 LBS - ONE WIRE TO STRUCTURE MAY BE SLACK
-10 TO 56 LBS - 2 WIRES FROM HOUSING TO STRUCTURE MAY BE SLACK
-GREATER THAN 56 LBS - SUPPORT DIRECTLY TO STRUCTURE WITH APPROVED HANGERS.

SEISMIC NOTES:

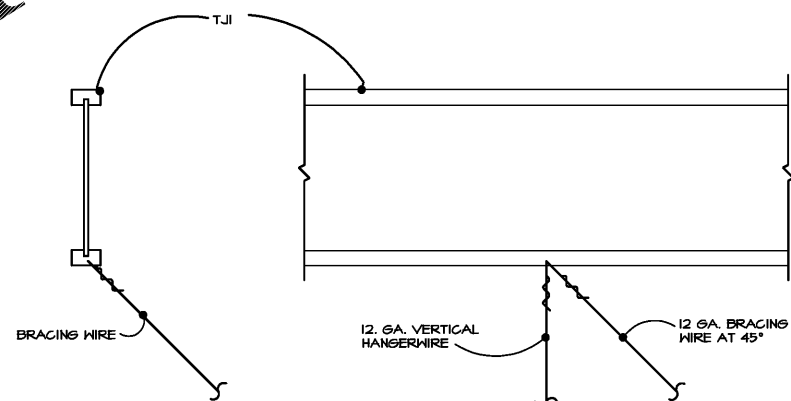
1. ALL HORIZONTAL PIPING (GAS PIPING LARGER THAN 1" DIAMETER OR OTHER PIPING LARGER THAN 1" DIAMETER) SHALL BE SUPPORTED FROM THE STRUCTURE ABOVE BY INDIVIDUAL HANGERS 12" OR LESS FROM THE TOP OF THE PIPE TO THE BOTTOM OF THE SUPPORT FOR THE HANGER.
2. PROVIDE FLEXIBLE CONNECTIONS WHERE THE GAS LINE ENTERS THE BUILDING AND AT ALL EQUIPMENT SERVED BY THE GAS LINE.
3. TANKLESS GAS WATER HEATERS SHALL BE APPROPRIATELY ANCHORED TO THE WALL.
4. ALL DUCTWORK LARGER THAN 28" IN DIAMETER OR RECTANGULAR DUCTS GREATER THAN 6 SQUARE FEET IN CROSS SECTION SHALL BE SUSPENDED BY HANGERS 12" OR LESS IN LENGTH FROM THE TOP OF THE DUCT TO THE BOTTOM OF THE SUPPORT FOR THE HANGER.
5. STORAGE SHELVING ABOVE 8'-0" SHALL BE ANCHORED TO THE FLOOR AND STRAPPED TO THE WALLS.
6. ALL METAL STUD PARTITION WALLS SHALL EXTEND FROM SLAB TO ROOF DECK AND ANCHORED TO SLAB AND DECK AT 48" O.C., MINIMUM.
7. SEE THIS SHEET FOR CEILING GRID AND LAY-IN LIGHTING SUSPENSION DETAILS. SEE REFLECTED CEILING PLAN SHEET FOR LOCATION OF CEILING AND LIGHT FIXTURES.



3 TYPICAL 2x4 LIGHT FIXTURE DETAIL
NOT TO SCALE

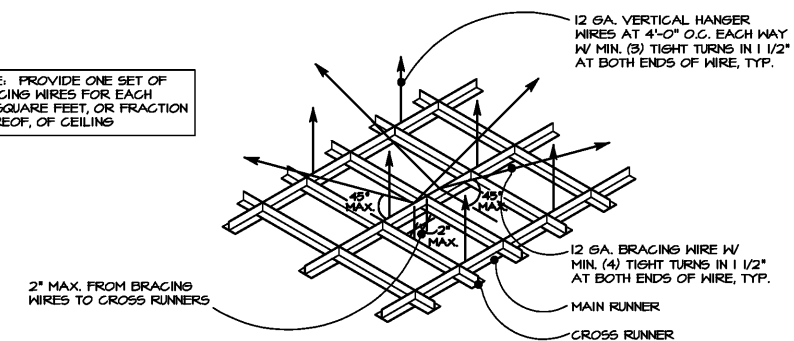


2 HANGER WIRE ATTACHMENT TO GRID
NOT TO SCALE



1 HANGER WIRE ATTACHMENT TO TJI
NOT TO SCALE

NOTE: PROVIDE ONE SET OF BRACING WIRES FOR EACH 144 SQUARE FEET, OR FRACTION THEREOF, OF CEILING



4 ATTACHMENT FOR ACT. CEILING GRID
NOT TO SCALE

DESIGN and ENGINEERING
INC ARCHITECTS
STRUCTURAL AND CIVIL ENGINEERS
1645 Westgate Circle
Brentwood, Tennessee 37027
615-370-1779 fax: 370-9108
www.dandainc.us



A NEW LOCATION FOR
CAPTAIN D'S
1236 W. FLOYD BAKER BLVD
GAFFNEY, SC 29342

STAR CHAIN, INC.
11375 POINTE PLACE,
ROSWELL, GA 30076



Job Number:
68F-0071
Revisions:

JANUARY 16, 2019
A-9.2
SEISMIC DETAILS
CONVERSION