

- GENERAL NOTES**
1. REFER TO 7/A-5.3 FOR INSIDE CORNER TRIM DETAIL AT ALL WP-1 LOCATIONS.
 2. REFER TO 8/A-5.3 FOR OUTSIDE CORNER TRIM DETAIL AT ALL WP-1 LOCATIONS.
 3. VERIFY LOCATION OF ALL LIGHTS, CEILING FIXTURES, AND CEILING FINISHES WITH REFLECTED CEILING PLAN.
 4. ALL FURNITURE IS TO BE PROVIDED BY OWNER UNLESS OTHERWISE NOTED. REFER TO A-7.1 FOR FURNITURE DESIGNATIONS AND LOCATIONS.

WALL DECOR LEGEND AND SIZING

ART-1	18"x24", PHOTOGRAPH
ART-2	30"x30", PHOTOGRAPH
ART-3	30"x42", BULLETIN BOARD
CKBD-1	36"x40" CHALKBOARD
CHKB-2	NOTED
SS-1	3/8" SOLID WOOD FRAME WITH NATURAL FINISH. FURNISHED AND INSTALLED BY G.C.
SFBD-1	BLUE AND GREEN SURFBOARD BY MIKE SUNSHINE FURNISHED AND INSTALLED BY G.C.

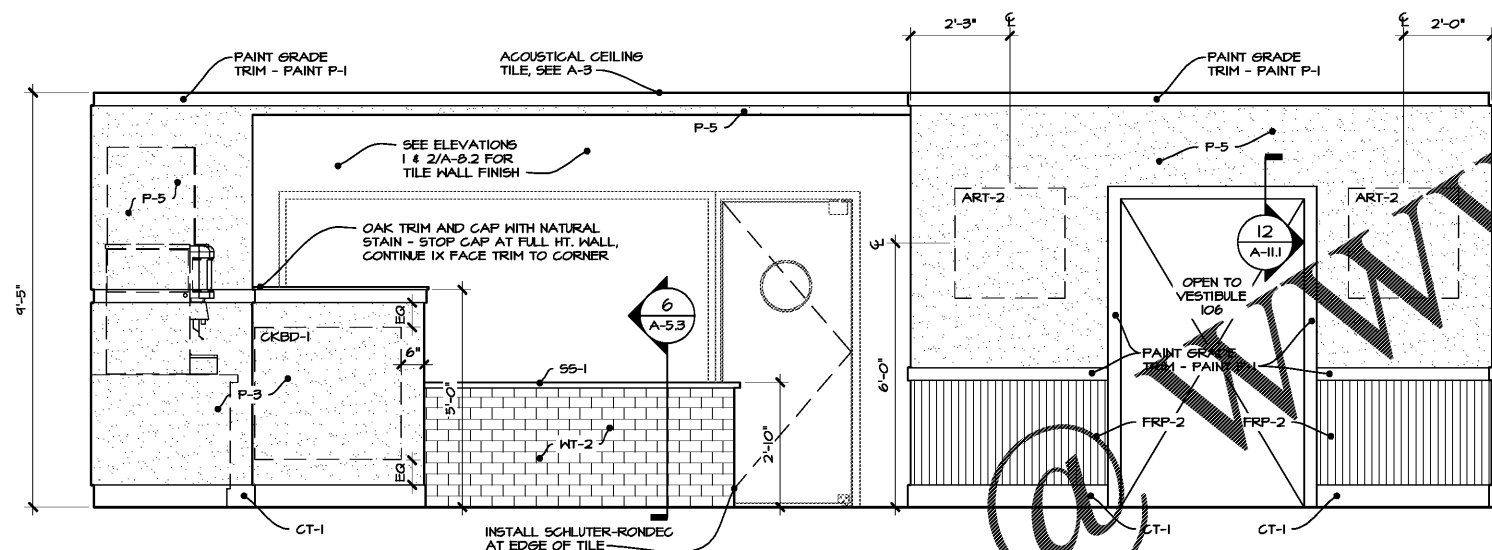
NOTES:

1. REFER TO 2/A-4.1 FOR ARTWORK FRAME DETAIL.
2. COORDINATE FINAL PLACEMENT OF ARTWORK, CHALKBOARDS AND SURFBOARD WITH CAPTAIN D'S PROJECT MANAGER.

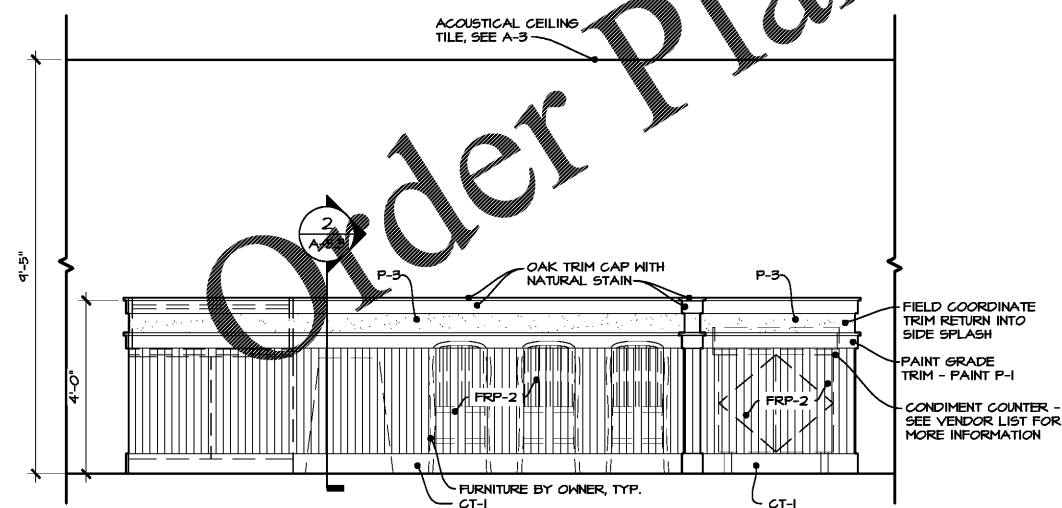
DESIGN
and
ENGINEERING
INC ARCHITECTS
STRUCTURAL AND CIVIL ENGINEERS
1645 Westgate Circle
Brentwood, Tennessee 37027
615-370-1779 fax: 370-9108
www.dandoinc.us



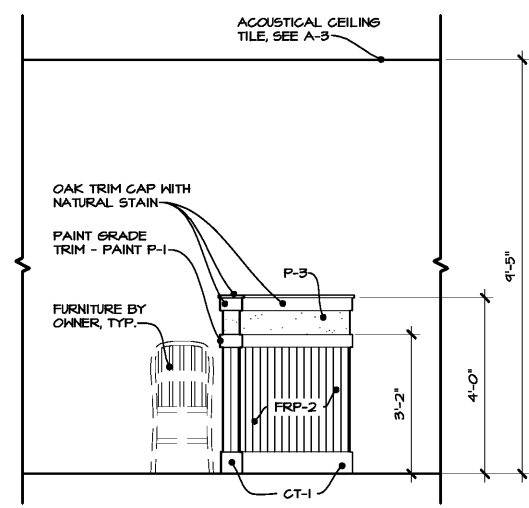
1
A-8.1
DINING 102
SCALE 1/2" = 1'-0"



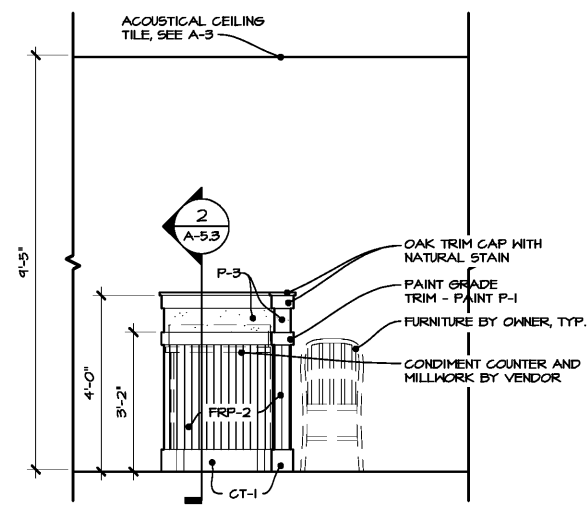
2
A-8.1
QUEUING 103
SCALE 1/2" = 1'-0"



3
A-8.1
QUEUING 103
SCALE 1/2" = 1'-0"

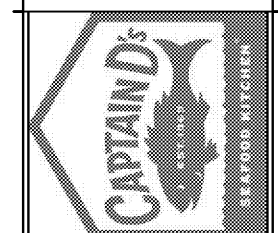


4
A-8.1
QUEUING 103
SCALE 1/2" = 1'-0"



5
A-8.1
QUEUING 103
SCALE 1/2" = 1'-0"

A NEW LOCATION FOR
CAPTAIN D'S
1236 W. FLOYD BAKER BLVD
GATFNEY, SC 29342
STAR CHAIN, INC.
11375 POINTE PLACE,
ROSWELL, GA 30076



Job Number:
68F-0071
Revisions:

JANUARY 16, 2019
A-8.1
INTERIOR ELEVATIONS
CONVERSION