

**KEYED NOTES**

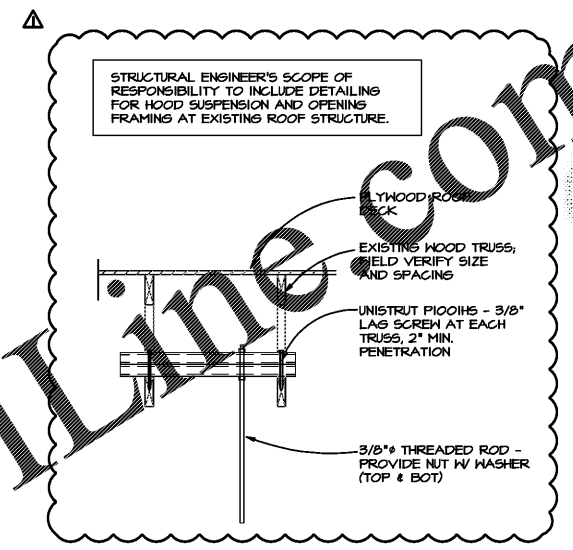
- 1 EXISTING SINGLE PLY MEMBRANE ROOF. INSTALLED OVER RIGID ROOF INSULATION. PATCH AND REPAIR ROOFING AS NECESSARY PER MANUFACTURER STANDARDS AND WARRANTY REQUIREMENTS (IF APPLICABLE) WHETHER SPECIFICALLY DETAILED HERE-IN OR NOT. MATCH EXISTING COLOR AND MEMBRANE THICKNESS.
- 2 PARAPET WALL CAP FLASHING, 24 GAGE GALVANIZED STEEL. PROVIDE/INSTALL PER SMACNA. ALSO REF. 5 & 7/A-4
- 3 PROVIDE 2X BLOCKING AT NEW FAN/UNIT OPENINGS AND CURB LOCATION - LOCATE DUCT DROP TO FIT WITHIN EXISTING STRUCTURE - S.C. TO FIELD VERIFY EXACT LOCATION. REFER TO DETAILS 3 & 4 THIS SHEET FOR CURB FRAMING INSTALLATION.
- 4 CRICKET FOR POSITIVE DRAINAGE TO SCUPPERS, TYP.
- 5 ROOF OVERFLOW - REFER TO DETAIL 4/A-6 FOR ADDITIONAL INFORMATION. MIN. 2" ABOVE SCUPPER.
- 6 DOWNSPOUT & SCUPPER SYSTEM, PROVIDE/INSTALL PER SMACNA. - REFER TO DETAIL 12/A-9 FOR ADDITIONAL INFORMATION.
- 7 EXISTING HVAC UNIT TO REMAIN - REFER TO MECHANICAL DRAWINGS FOR ADDITIONAL INFORMATION.
- 8 COOLER/ FREEZER CONDENSER UNIT.
- 9 REMOVE EXISTING EXHAUST FAN AND DUCTWORK. SEAL CURB WITH GALVANIZED CAP FLASHING.
- 10 EXHAUST FAN - REFER TO MECHANICAL DRAWINGS FOR ADDITIONAL INFORMATION
- 11 HOOD EXHAUST FAN - REFER TO 8/A-4.1 AND MECHANICAL DRAWINGS FOR ADDITIONAL INFORMATION.
- 12 ANNING CENTERED OVER WINDOWS BELOW, UNLESS NOTED OTHERWISE.
- 13 PRE-MANUFACTURED CANOPY AT ENTRY - S.C. TO COORDINATE WITH VENDOR - REFER TO T-1.1 FOR CONTACT INFORMATION, TYP.
- 14 PRE-MANUFACTURED DRIVE-THRU CANOPY - S.C. TO COORDINATE WITH VENDOR - REFER TO T-1.1 FOR CONTACT INFORMATION, TYP.
- 15 EXISTING ROOF LADDER TO REMAIN - SEE EXTERIOR ELEVATIONS FOR NEW FINISH.
- 16 MAKE-UP AIR UNIT
- 17 REFER TO DETAIL 10/A-4.1 FOR SIDING TERMINATION DETAIL.
- 18 REMOVE EXISTING EXHAUST FAN AT THIS LOCATION - NEW FAN AND CURB TO BE LOCATED OVER EXISTING CURB OPENING.

**GENERAL NOTES**

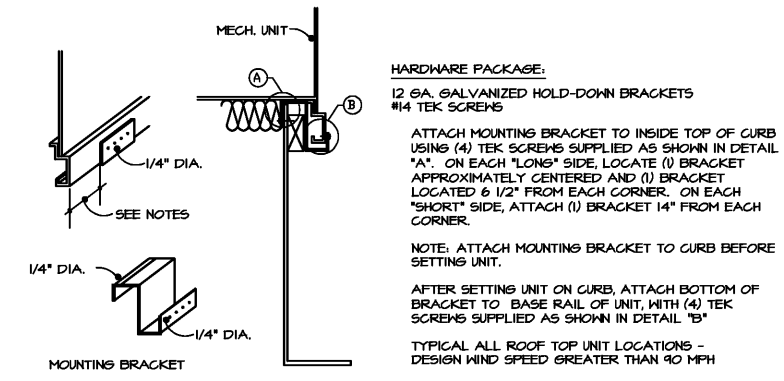
1. SLOPES OF ROOFS ARE FROM SLOPE IN THE STRUCTURE UNLESS NOTED OTHERWISE.
2. COORDINATE WITH MECHANICAL, PLUMBING, AND ELECTRICAL DRAWINGS FOR ALL ROOF PENETRATIONS.
3. PROVIDE PITCH POCKETS FOR ALL REFRIGERANT, POWER, OR PLUMBING VENTS AS REQUIRED. REFERENCE MFE DRAWINGS FOR LOCATIONS. INSTALL PITCH POCKETS PER ROOF MANUFACTURER'S INSTRUCTIONS WITH RECOMMENDED PRODUCTS.
4. OFFSET ALL ROOF VENTS SO THEY ARE LOCATED A MINIMUM OF 10'-0" BEYOND ALL AIR INTAKES.

**ROOF LEGEND**

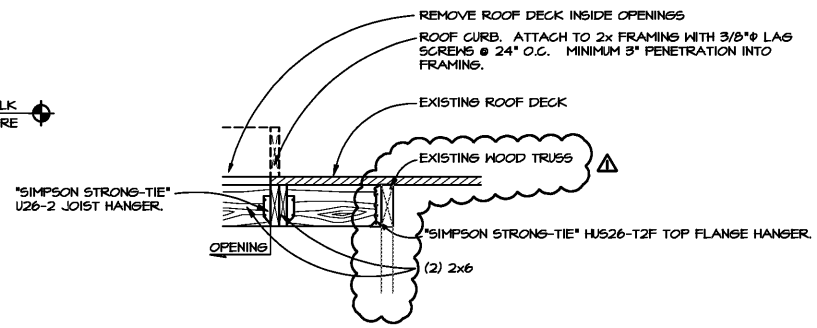
	REMOTELY MOUNTED EXTERIOR EMERGENCY LIGHT
	EXTERIOR ANNING / SIGN LIGHTING - CENTERED OVER WINDOW BELOW, UNLESS NOTED OTHERWISE.
	EXTERIOR PORTHOLE TUBE LIGHTING FIXTURE
	UTILITY WALL PACK



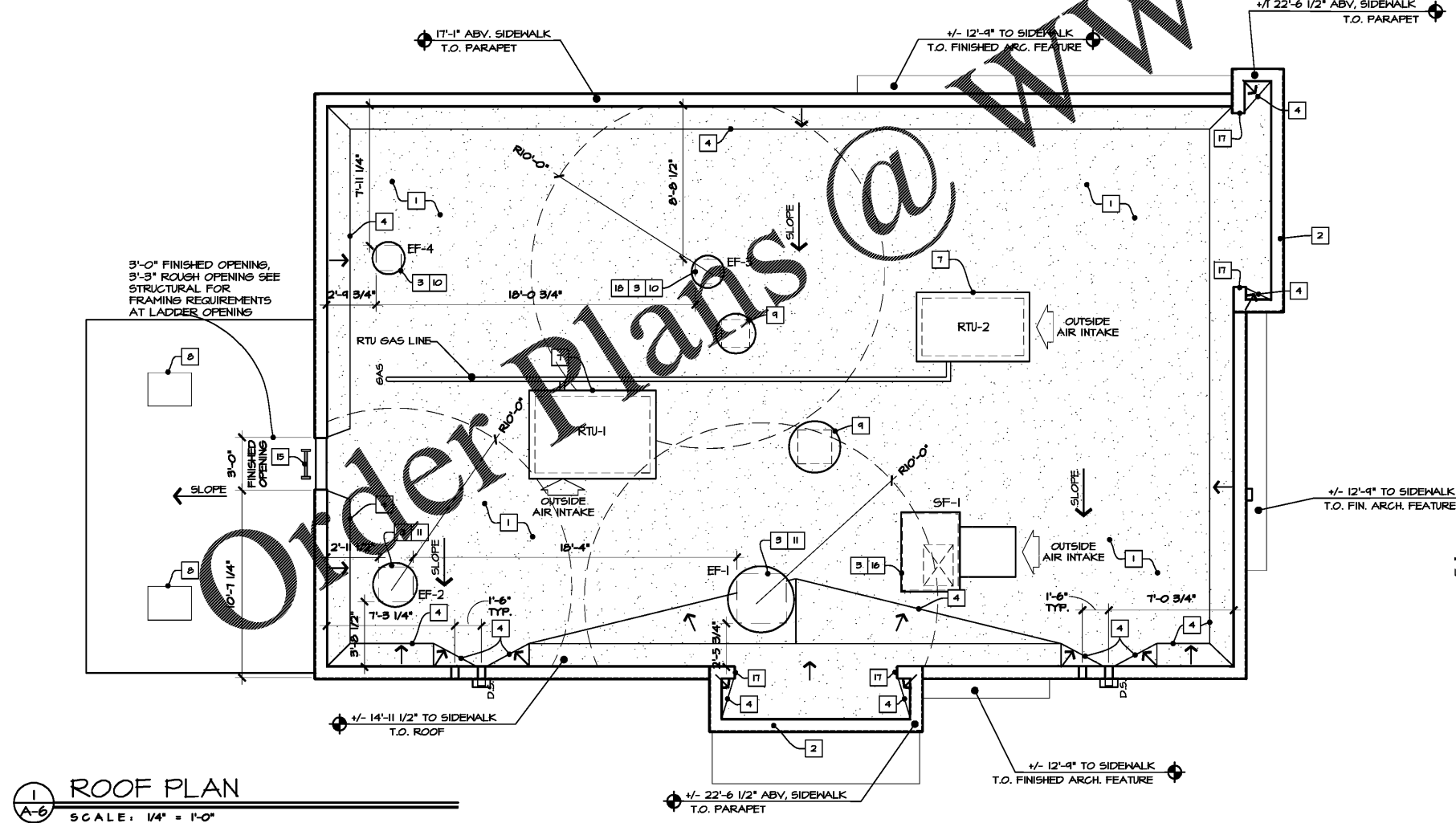
**2 HOOD SUSPENSION DETAIL**  
SCALE: 3" = 1'-0"



**3 ROOF CURB DETAIL**  
SCALE: NONE



**4 ROOF OPENING DETAIL**  
SCALE: 1 1/2" = 1'-0"

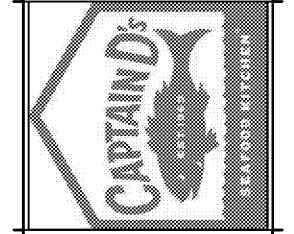


**1 ROOF PLAN**  
SCALE: 1/4" = 1'-0"

**DESIGN and ENGINEERING**  
INC ARCHITECTS  
STRUCTURAL AND CIVIL ENGINEERS  
1645 Westgate Circle  
Brentwood, Tennessee 37027  
615-370-1779 fax: 370-9108  
www.dandoinc.us

A NEW LOCATION FOR  
**CAPTAIN D'S**  
1236 W. FLOYD BAKER BLVD  
GAFFNEY, SC 29342

**STAR CHAIN, INC.**  
11375 POINTE PLACE,  
ROSWELL, GA 30076



Job Number:  
68F-0071  
Revisions:

JANUARY 16, 2019  
**A-6**  
ROOF PLAN  
CONVERSION