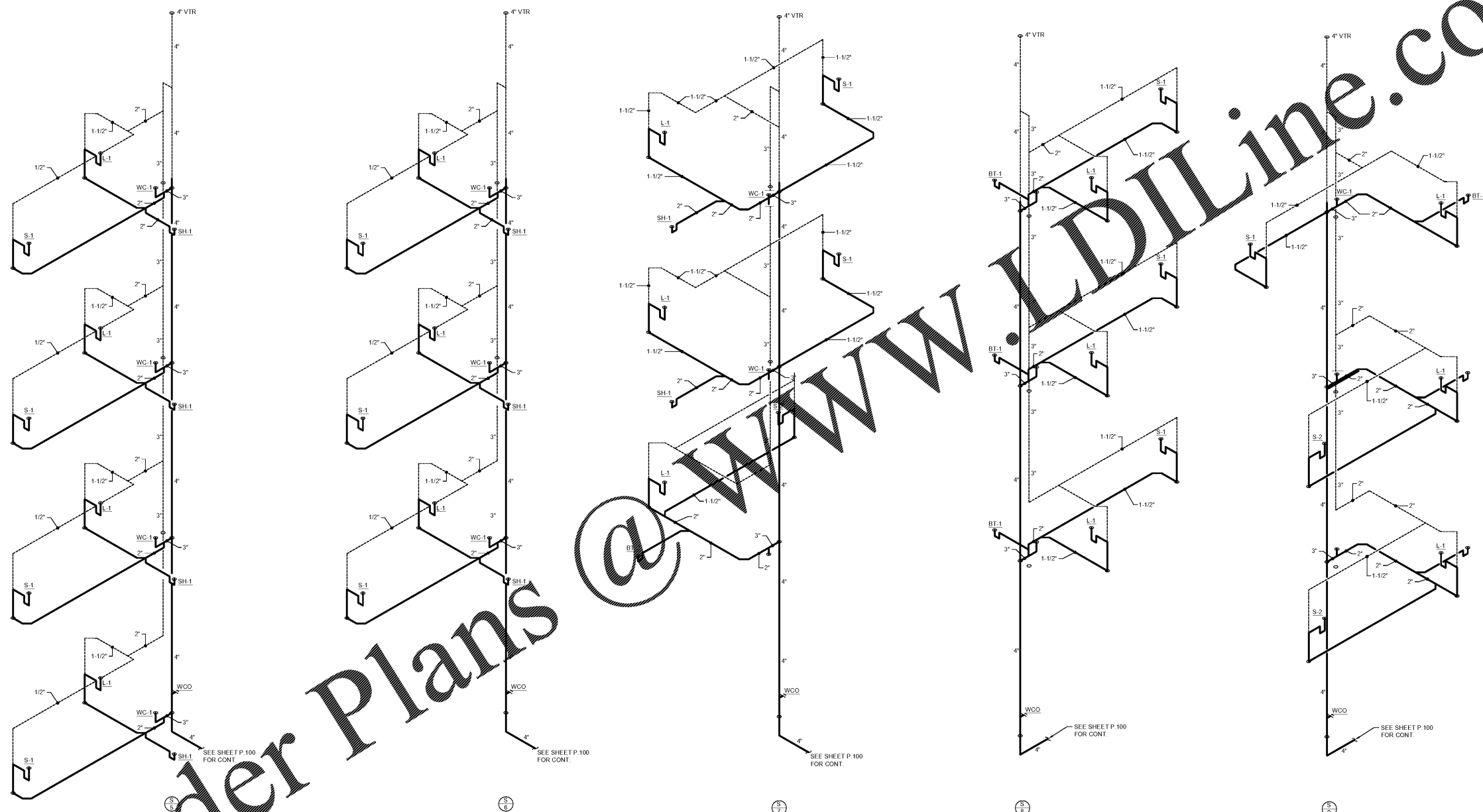


Revisions		
#	Date	Description



- GENERAL NOTES THIS SHEET**
- SEE ENLARGED TYPICAL GUEST ROOM PLANS ON SHEET P.201 FOR ADDITIONAL INFORMATION.
 - SEE FIXTURE SCHEDULE ON SHEET P.002 FOR SIZES OF SANITARY WASTE AND VENT CONNECTIONS TO INDIVIDUAL FIXTURES.
 - MINIMUM SIZE FOR SANITARY WASTE AND VENT PIPING BELOW GROUND SHALL BE 2\".
 - SEE FLOOR PLANS FOR CONTINUATION OF ALL RISERS.
 - ALL RISER DIAGRAMS ARE SCHEMATIC AND ARE NOT TO SCALE. PROVIDE OFFSETS AS NECESSARY BETWEEN FLOORS.

Order Plans
@www.LDILine.com