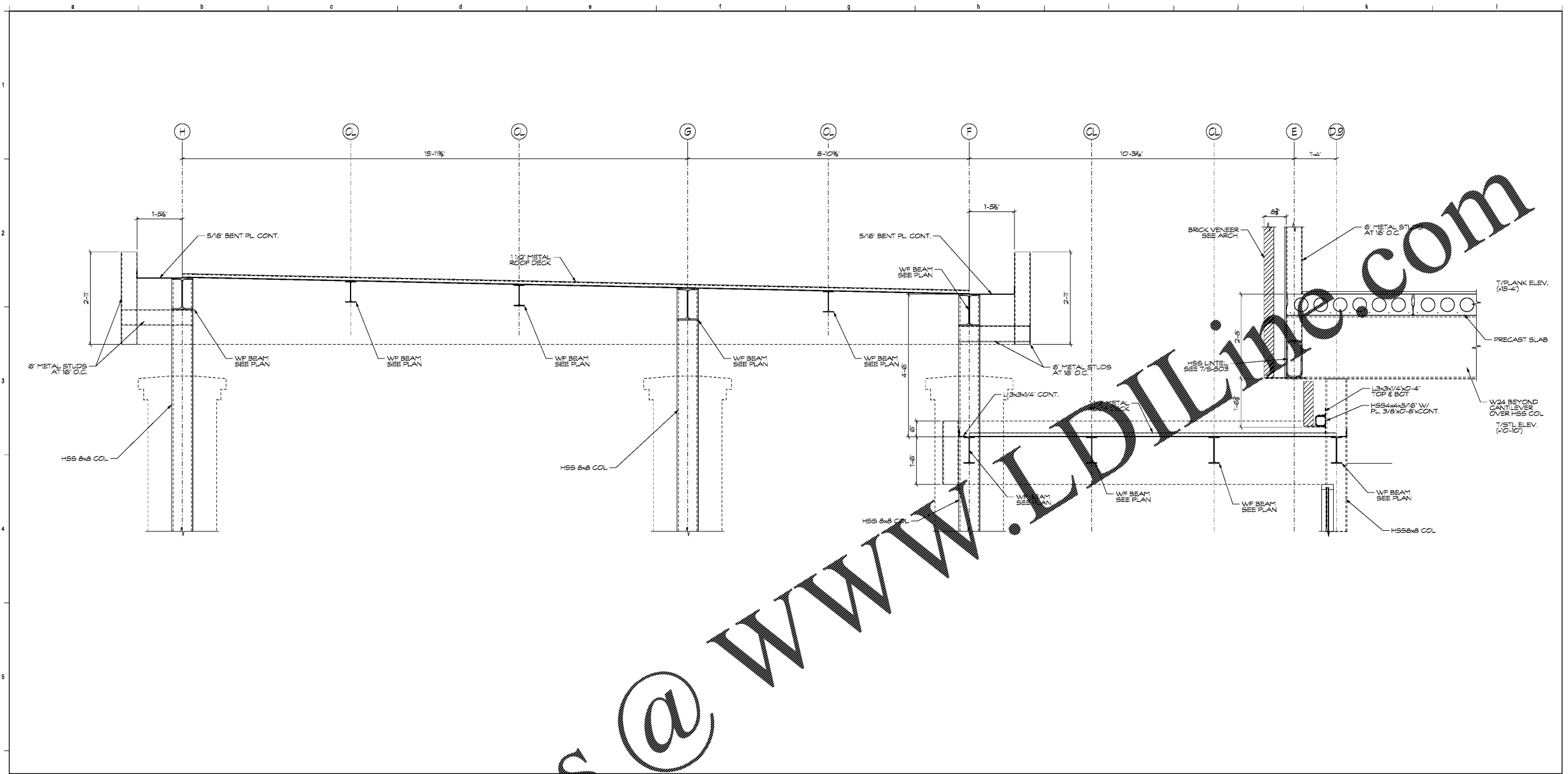
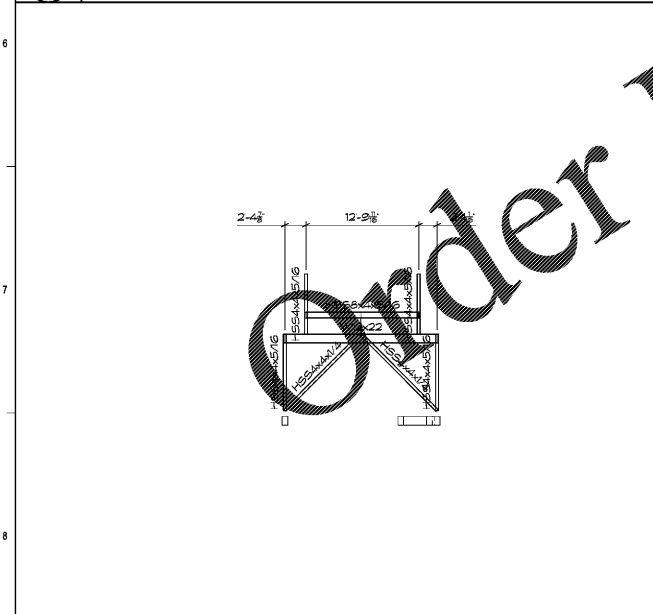


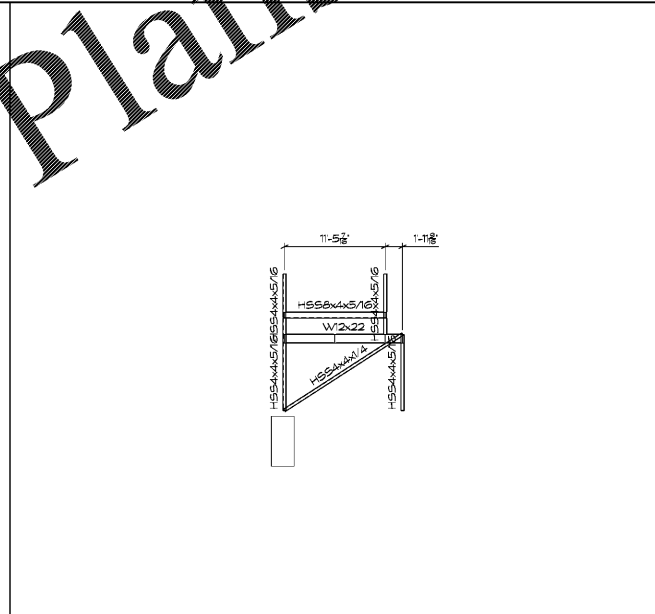
Revisions		
#	Date	Description



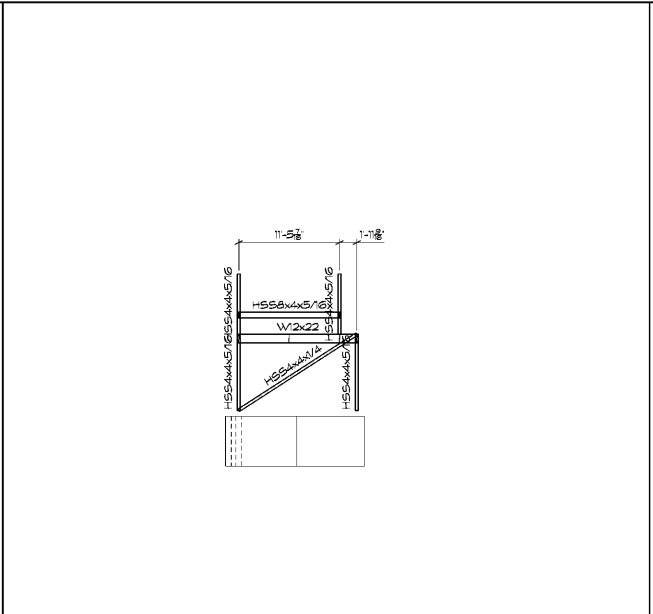
1 SECTION
3/4\"/>



2 ELEVATION
1/8\"/>



3 ELEVATION
1/8\"/>



4 ELEVATION
1/8\"/>